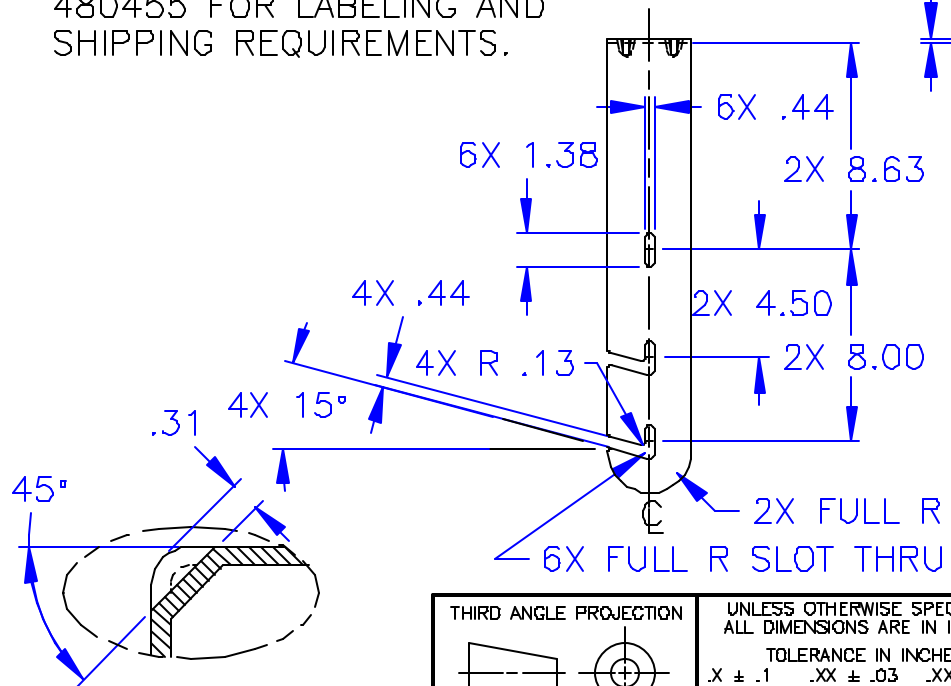
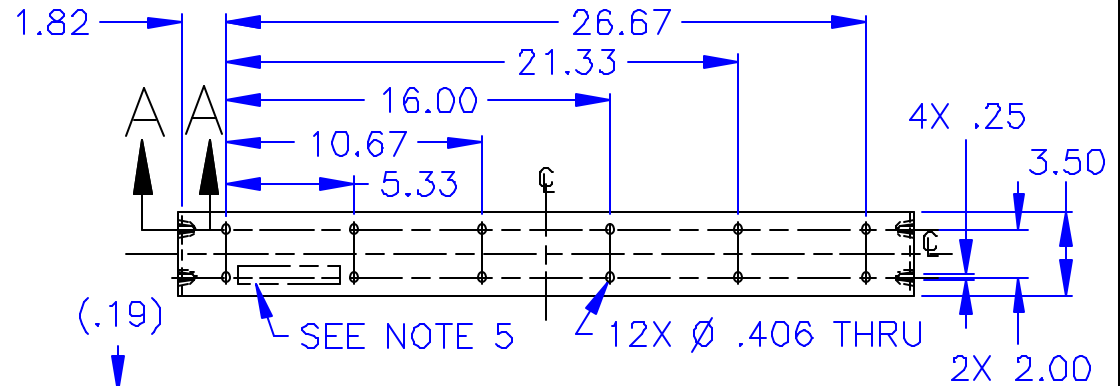


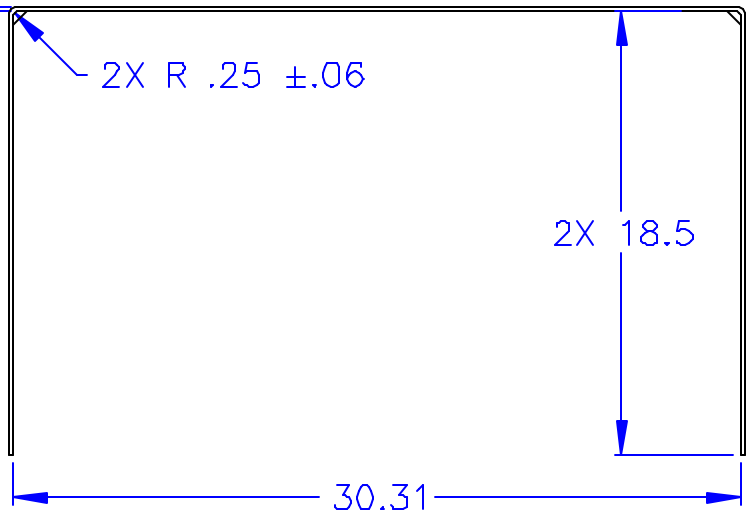
NOTES:

1. MATERIAL: 6 GA. (.194) CRS.
2. REMOVE BURRS AND SHARP EDGES.
3. PARTS TO BE CLEANED AND FREE OF GREASE AND DEBRIS.
4. FINISH: DUPONT EFB-504-S0 RAVEN BLACK POWDERCOAT, EPOXY POWDERCOAT OR MORTON 10-7068 VISTA BLACK POWDERCOAT.
5. EAW PART NUMBER AND CURRENT REVISION TO BE STAMPED, LABELED, OR PERMANENTLY MARKED WHERE SHOWN IN A CONTRASTING COLOR. USE OF EMBOSSING STAMP PERMITTED. LETTERS TO BE 1/8" TALL MINIMUM.
6. REFER TO EAW MATERIAL SPECIFICATION 480455 FOR LABELING AND SHIPPING REQUIREMENTS.

REV	DESCRIPTION	APVD/DATE
A	RELEASED FROM REV. 1 WITH NO CHANGES PER DSRWHT3669, SEE DSR# 03-801 MELANIE 7/8/03	RAS 7/9/03
B	4X .44 WIDE ACCESS CHANNELS ADDED TO SLOTS PER ECOWHT2950 MELANIE 7/28/03	RAS 7/29/03



SECTION
A-A
SCALE 1 TO 4



DOCUMENT CONTROL PER SPECIFICATION 4.5.201

<p>THIRD ANGLE PROJECTION</p>	<p>UNLESS OTHERWISE SPECIFIED: ALL DIMENSIONS ARE IN INCHES</p> <p>TOLERANCE IN INCHES X ± .1 .XX ± .03 .XXX ± .010 FRACTIONS ± 1/32 ANGLES ± 1/2°</p> <p>(X.XX) = REF DIMS NO TOLERANCE IMPLIED</p> <p>T.S.C. = THEORETICAL SHARP CORNER</p> <p>DIMENSIONS ACROSS CENTERLINES TO BE SYMMETRICAL</p>	<p>STATUS: PRODUCTION</p>		<p>EAW EASTERN ACOUSTIC WORKS ONE MAIN STREET WHITINSVILLE, MA 01588 USA</p>			
		<p>APPROVALS</p> <p>DRAWN: JRM</p> <p>CHECKED: RAS</p> <p>DES ENG: NB/TSD</p> <p>MFG ENG: MD</p>	<p>DATE</p> <p>3/13/03</p> <p>7/9/03</p> <p>7/14/03</p> <p>7/21/03</p>		<p>TITLE:</p> <p>BRACKET/WALLMOUNT/MK2000 & MK5000</p>		
<p>THIS DRAWING IS THE PROPERTY OF EAW AND SHALL NOT BE COPIED, REPRODUCED, OR USED AS THE BASIS FOR MANUFACTURE OR SALE OF APPARATUS WITHOUT WRITTEN AUTHORIZATION. DO NOT SCALE DRAWING.</p>			<p>A</p>	<p>SHEET 1 OF 1</p>	<p>SCALE: 1 TO 8</p>	<p>DRAWING NUMBER: 0006970</p>	<p>REVISION: B</p>