
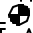
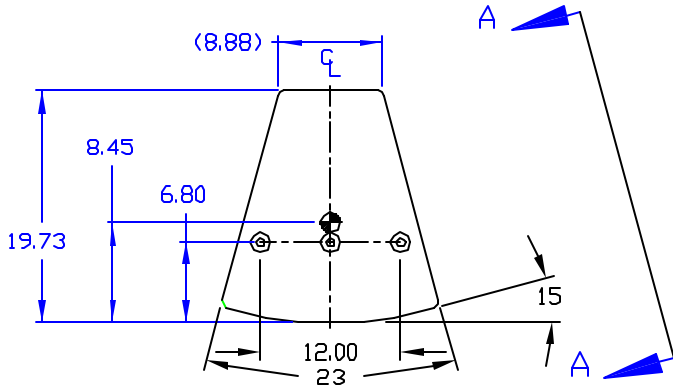


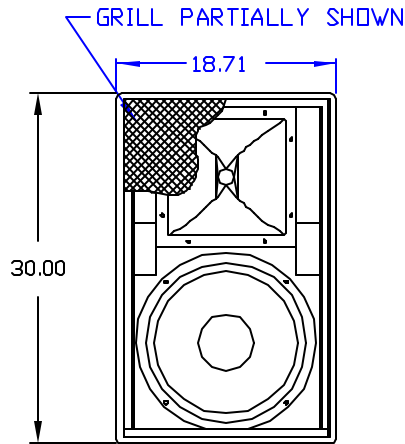
REV	DESCRIPTION	APPROVED
1	REVISED PER ECO #3314 RAS 8/5/98	

NOTES:

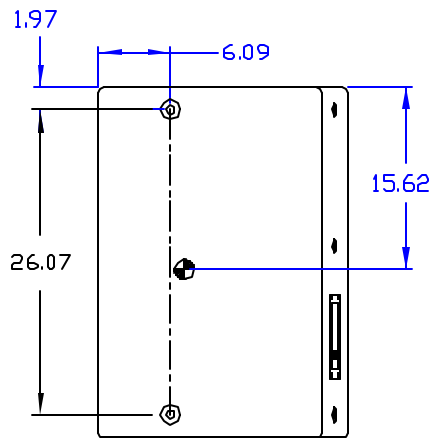
1. SYMBOL  INDICATES MOUNTING POINT
3/8-16 THREADED HOLE.
2. SYMBOL  INDICATES CENTER OF BALANCE.
3. WEIGHT APPROX. 60 LBS.
4. SHIPPING WEIGHT APPROX. 70 LBS.



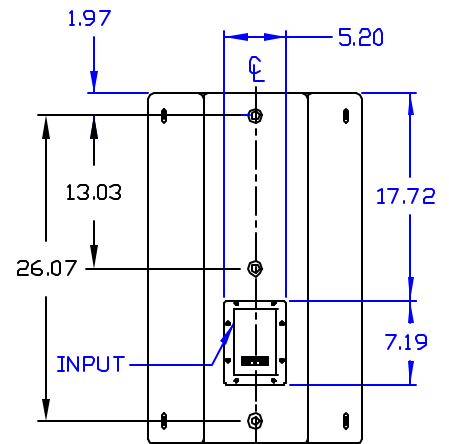
TOP/BOTTOM



FRONT

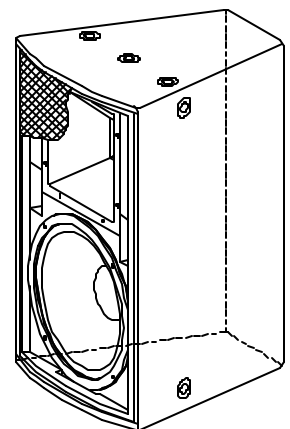


VIEW A-A




BACK

DIMENSIONS APPLY TO BOTH SIDES



MK5164

UNLESS OTHERWISE SPECIFIED, ALL DIMENSIONS ARE IN INCHES. TOLERANCE IN INCHES XX ±.12 ANGLES ±11	APPROVAL / DATE		 <small>EASTERN ACOUSTIC WORKS ONE SAN STREET WATNOVILLE, MASSACHUSETTS 02159 USA</small>	
	DRAWN: JWB	7/24/97		
THIS DRAWING IS THE PROPERTY OF EAW AND SHALL NOT BE COPIED, REPRODUCED, OR USED AS THE BASIS FOR MANUFACTURE OR SALE OF APPARATUS WITHOUT WRITTEN AUTHORIZATION. DO NOT SCALE DRAWINGS.	CHECKED: N/A	N/A	SHEET 1 OF 1	SCALE: 1 TO 16
	DES ENG: S OPIE	8/19/97	DWG NO: 510495	REV1
	MFG ENG: JS	8/20/97		