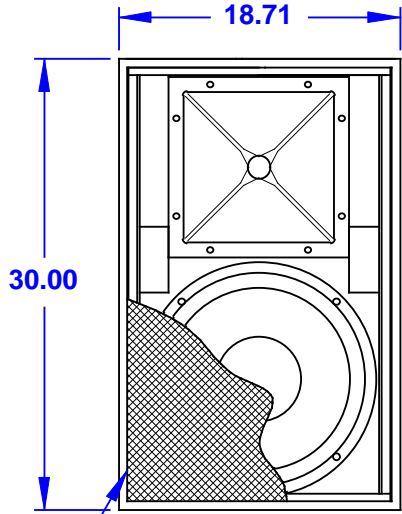


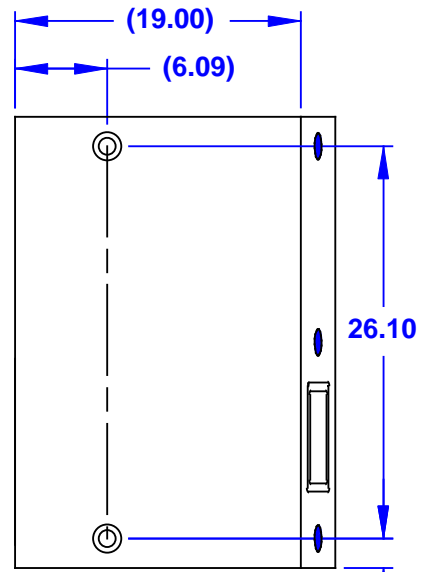
| REV | DESCRIPTION | APVD/DATE |
|-----|--|-------------|
| A | NEW ISSUE PER DSR #00-1462 DM 2/22/01 | KFH 2/23/01 |

NOTES:
 1. SYMBOL ● INDICATES MOUNTING POINT, 3/8-16 THREADED HOLE (NUT PLATE).
 2. SYMBOL ⊙ INDICATES MOUNTING POINT, 3/8-16 THREADED HOLE (PI ANGLE).

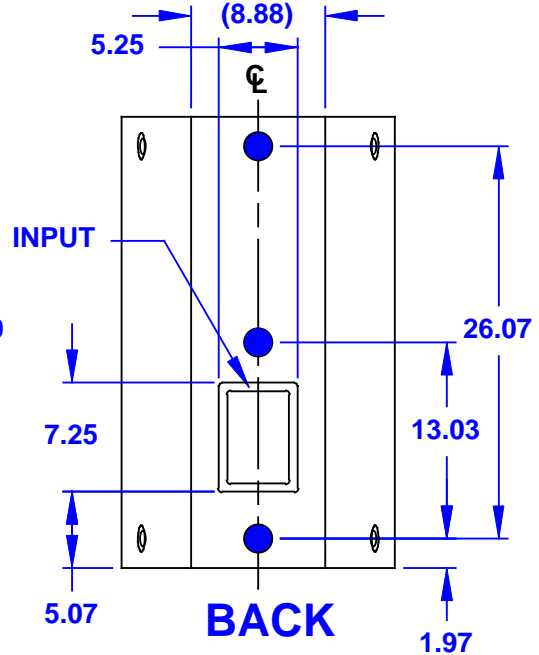
TOP
 DIMENSIONS APPLY TO TOP AND BOTTOM



FRONT
 GRILLE PARTIALLY SHOWN



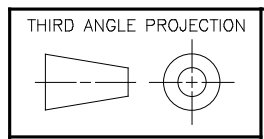
VIEW A-A
 DIMENSIONS APPLY TO BOTH SIDES



BACK

DOCUMENT CONTROL PER SPECIFICATION 4.5.201

MK5166



THIS DRAWING IS THE PROPERTY OF EAW AND SHALL NOT BE COPIED, REPRODUCED, OR USED AS THE BASIS FOR MANUFACTURE OR SALE OF APPARATUS WITHOUT WRITTEN AUTHORIZATION. DO NOT SCALE DRAWING.

UNLESS OTHERWISE SPECIFIED: ALL DIMENSIONS ARE IN INCHES
 TOLERANCE IN INCHES
 .XX ± .13
 ANGLES ± 1°
 (X.XX) = REF DIMS
 NO TOLERANCE IMPLIED
 T.S.C.=THEORETICAL SHARP CORNER
 DIMENSIONS ACROSS CENTERLINES TO BE SYMMETRICAL

| | |
|--------------------------|---------|
| STATUS: PROTOTYPE | |
| APPROVALS | DATE |
| DRAWN: DM | 2/22/01 |
| CHECKED: | |
| DES ENG: | |
| MFG ENG: | |

| | |
|--|--------------|
| EAW EASTERN ACOUSTIC WORKS ONE MAIN STREET WHITINSVILLE, MA 01588 USA | |
| TITLE: CABINET/FINISHED/MK5166 [MECHANICAL SPECIFICATION] | |
| A | SHEET 1 OF 1 |
| SCALE: 1 TO 12 | |
| DRAWING NUMBER: 510826 | REVISION: A |

C
B
A

C
B
A