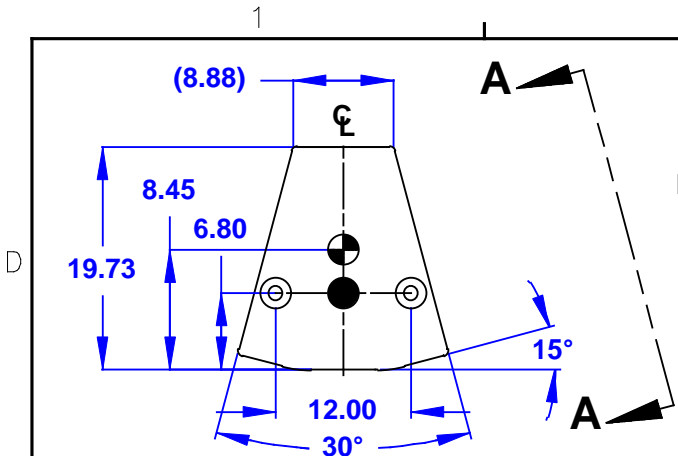


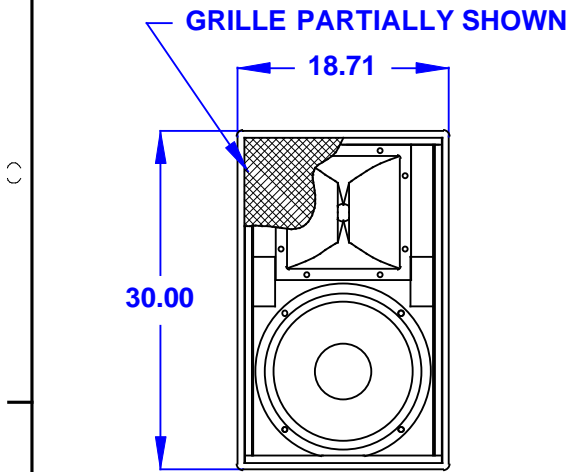
REV	DESCRIPTION	APVD/DATE
2	REVISED PER ECO #00-4724 DM 8/17/00	KFH 9/6/00



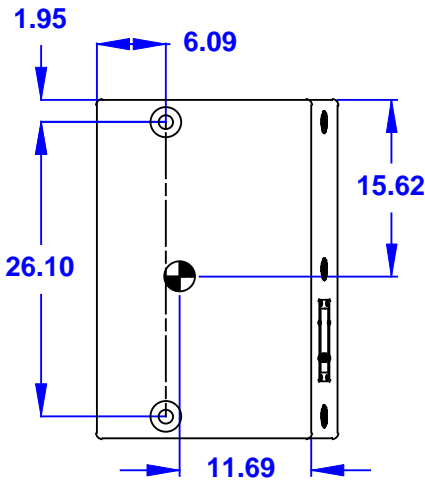
TOP
DIMENSIONS APPLY
TO TOP & BOTTOM

NOTES:

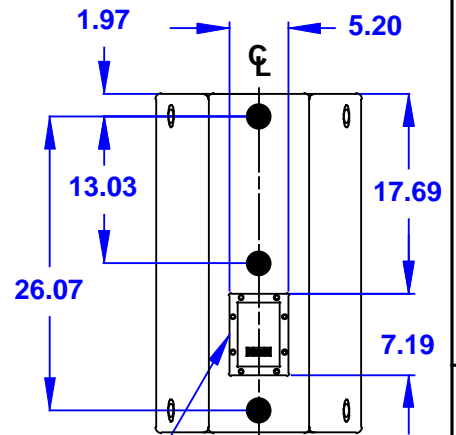
1. SYMBOL ● INDICATES MOUNTING POINT, 3/8-16 THREADED HOLE (NUT PLATE).
2. SYMBOL ⊙ INDICATES MOUNTING POINT, 3/8-16 THREADED HOLE (PI ANGLE).
3. SYMBOL ⊕ INDICATES CENTER OF BALANCE.
4. WEIGHT APPROX. 77 LBS.
5. SHIPPING WEIGHT APPROX. 94 LBS.



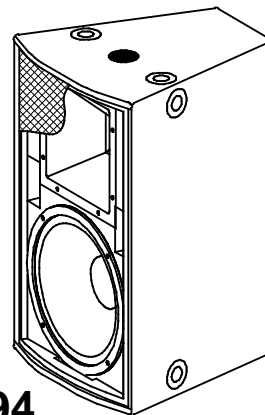
FRONT



VIEW A-A
DIMENSIONS APPLY
TO BOTH SIDES



BACK



MK5194

DOCUMENT CONTROL PER SPECIFICATION 4.5.201

<p>THIRD ANGLE PROJECTION</p>	<p>UNLESS OTHERWISE SPECIFIED: ALL DIMENSIONS ARE IN INCHES</p> <p>TOLERANCE IN INCHES .XX ± .13 ANGLES ±1°</p> <p>(X.XX) = REF DIMS NO TOLERANCE IMPLIED</p> <p>T.S.C.=THEORETICAL SHARP CORNER DIMENSIONS ACROSS CENTERLINES TO BE SYMMETRICAL</p>	STATUS: PRODUCTION		<p>EA EASTERN ACOUSTIC WORKS ONE MAIN STREET WHITINSVILLE, MA 01588 USA</p>	
		APPROVALS			DATE
		DRAWN:	JWB		7/24/97
		CHECKED:	N/A		N/A
DES ENG:	S OPIE	8/19/97	<p>TITLE: CABINET/FINISHED/MK5194 [MECHANICAL SPECIFICATION]</p>		
MFG ENG:	JS	8/20/97			
THIS DRAWING IS THE PROPERTY OF EAW AND SHALL NOT BE COPIED, REPRODUCED, OR USED AS THE BASIS FOR MANUFACTURE OR SALE OF APPARATUS WITHOUT WRITTEN AUTHORIZATION. DO NOT SCALE DRAWING.		DRAWING NUMBER: 510496		SCALE: 1 TO 16	
		REVISION: 2			