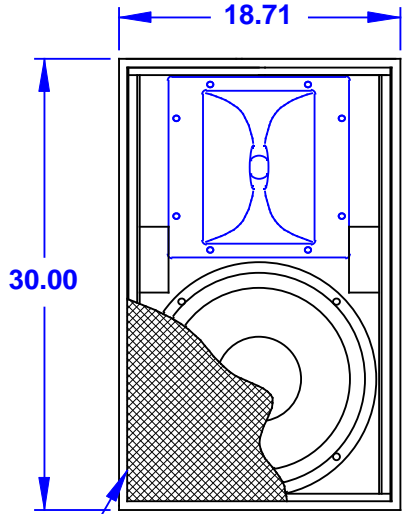


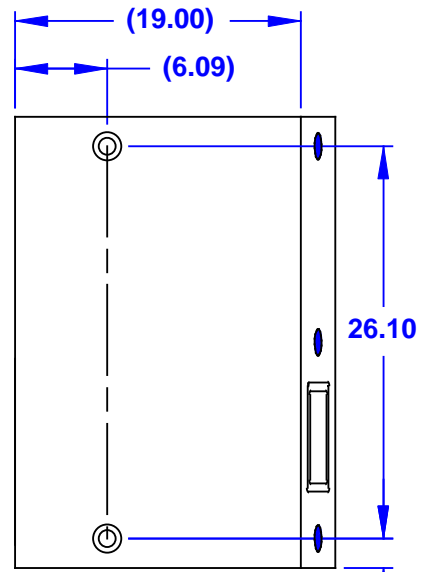
REV	DESCRIPTION	APVD/DATE
A	NEW ISSUE PER DSR #00-1462 DM 2/22/01	KFH 2/23/01

**NOTES:**  
 1. SYMBOL ● INDICATES MOUNTING POINT, 3/8-16 THREADED HOLE (NUT PLATE).  
 2. SYMBOL ⊙ INDICATES MOUNTING POINT, 3/8-16 THREADED HOLE (PI ANGLE).

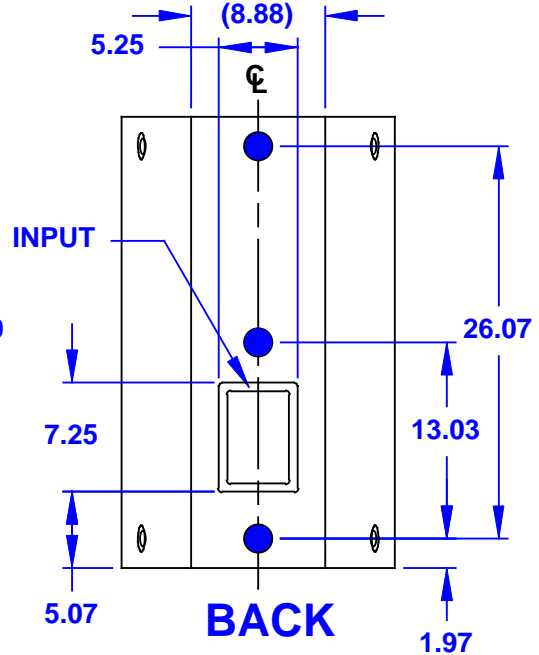
**TOP**  
 DIMENSIONS APPLY TO TOP AND BOTTOM



**GRILLE PARTIALLY SHOWN FRONT**



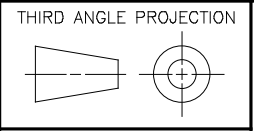
**VIEW A-A**  
 DIMENSIONS APPLY TO BOTH SIDES



**BACK**

DOCUMENT CONTROL PER SPECIFICATION 4.5.201

**MK5199**



THIS DRAWING IS THE PROPERTY OF EAW AND SHALL NOT BE COPIED, REPRODUCED, OR USED AS THE BASIS FOR MANUFACTURE OR SALE OF APPARATUS WITHOUT WRITTEN AUTHORIZATION. DO NOT SCALE DRAWING.

UNLESS OTHERWISE SPECIFIED: ALL DIMENSIONS ARE IN INCHES  
 TOLERANCE IN INCHES  
 .XX ± .13  
 ANGLES ± 1°  
 (X.XX) = REF DIMS  
 NO TOLERANCE IMPLIED  
 T.S.C.=THEORETICAL SHARP CORNER  
 DIMENSIONS ACROSS CENTERLINES TO BE SYMMETRICAL

STATUS: <b>PROTOTYPE</b>	
APPROVALS	DATE
DRAWN: DM	2/22/01
CHECKED:	
DES ENG:	
MFG ENG:	

<b>EAW</b> EASTERN ACOUSTIC WORKS ONE MAIN STREET WHITINSVILLE, MA 01588 USA	
TITLE: CABINET/FINISHED/MK5199 [MECHANICAL SPECIFICATION]	
<b>A</b>	SHEET 1 OF 1
SCALE: 1 TO 12	
DRAWING NUMBER: 510892	REVISION: A

C  
B  
A

C  
B  
A