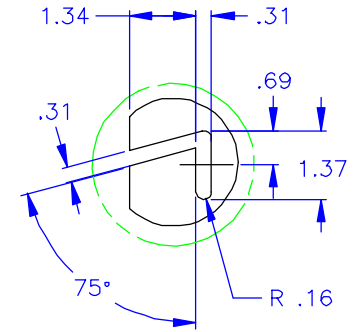
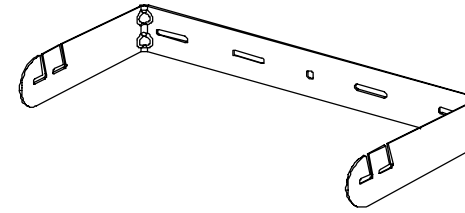
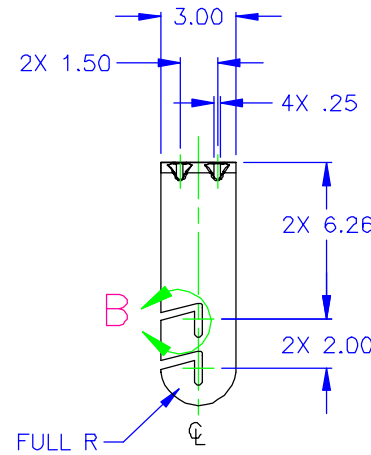


- NOTES:
1. MATERIAL: 8 GA (.125) ALUMINUM, 5052-H32
 2. FINISH: DUPONT EFB-504-SO RAVEN BLACK POWDERCOAT, OR SHERWIN WILLIAMS POWDURA EPOXY POWDERCOAT, OR MORTON 10-7068 VISTA BLACK POWDERCOAT.
 3. REMOVE BURRS AND SHARP EDGES PRIOR TO FINISH.
 4. PARTS TO BE CLEANED AND FREE OF GREASE AND DEBRIS.
 5. EAW PART NUMBER, CURRENT EAW REVISION AND DATE MANUFACTURED TO BE STAMPED, LABELED OR PERMANENTLY MARKED WHERE SHOWN IN A CONTRASTING COLOR. LETTERS TO BE 1/8 TALL MINIMUM.

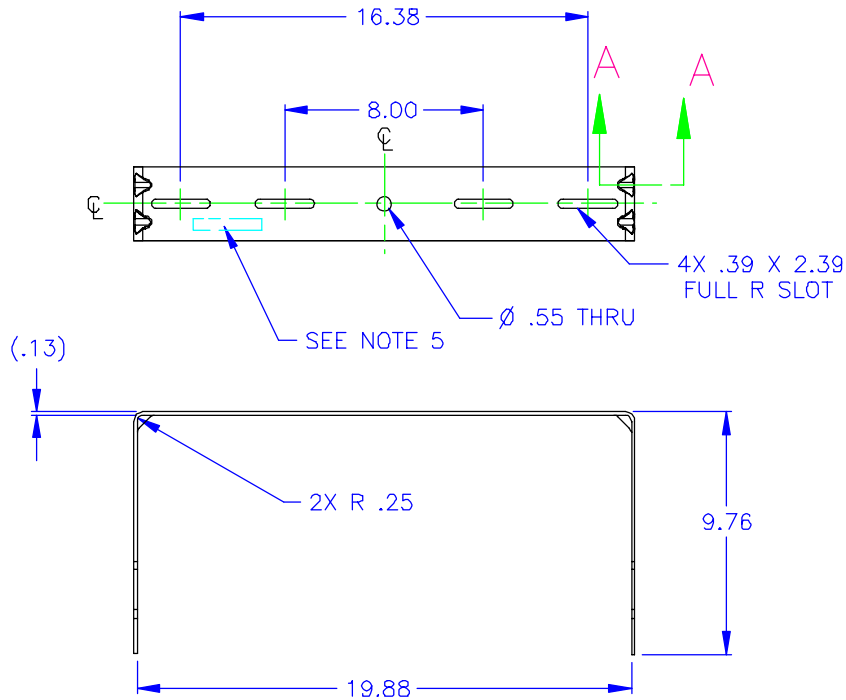
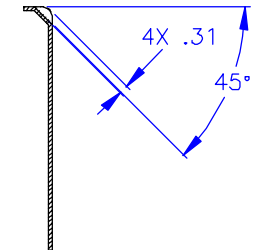
REV	DESCRIPTION	APVD/DATE
1	NEW ISSUE PER DSRWHT5968 DM 3/28/05	KFH 3/29/05



DETAIL B
SCALE 1:2.5
4X



SECTION A-A



DOCUMENT CONTROL PER SPECIFICATION 4.5.201

	<p>UNLESS OTHERWISE SPECIFIED: ALL DIMENSIONS ARE IN INCHES DUAL [MM] DIMENSIONS REF ONLY</p> <p>TOLERANCE IN INCHES .X ±.03 .XX ±.015 .XXX ±.005 FRACTIONS ±1/32 ANGLES ±1/2°</p> <p>(X.XX) = REF DIMS NO TOLERANCE IMPLIED TSC=THEORETICAL SHARP CORNER DIMENSIONS ACROSS CENTERLINES TO BE SYMMETRICAL</p>	STATUS: PROTOTYPE			
		APPROVALS	DATE		TITLE:
<p>THIS DRAWING IS THE PROPERTY OF EAW AND SHALL NOT BE COPIED, REPRODUCED, OR USED AS THE BASIS FOR MANUFACTURE OR SALE OF APPARATUS WITHOUT WRITTEN AUTHORIZATION. DO NOT SCALE DRAWING.</p>	<p>DRAWN: DM</p> <p>CHECKED:</p> <p>DES ENG:</p> <p>MFG ENG:</p>	3/17/05	BRACKET/WALLMOUNT/ ALUMINUM/UB80	<p>B SHEET 1 OF 1 SCALE: 1 TO 5</p> <p>DRAWING NUMBER: 0015336 REVISION: 1</p>	
		<p>APPROVALS</p>			<p>SHEET 1 OF 1</p>
		<p>DATE</p>			<p>SCALE: 1 TO 5</p>

VELLUM