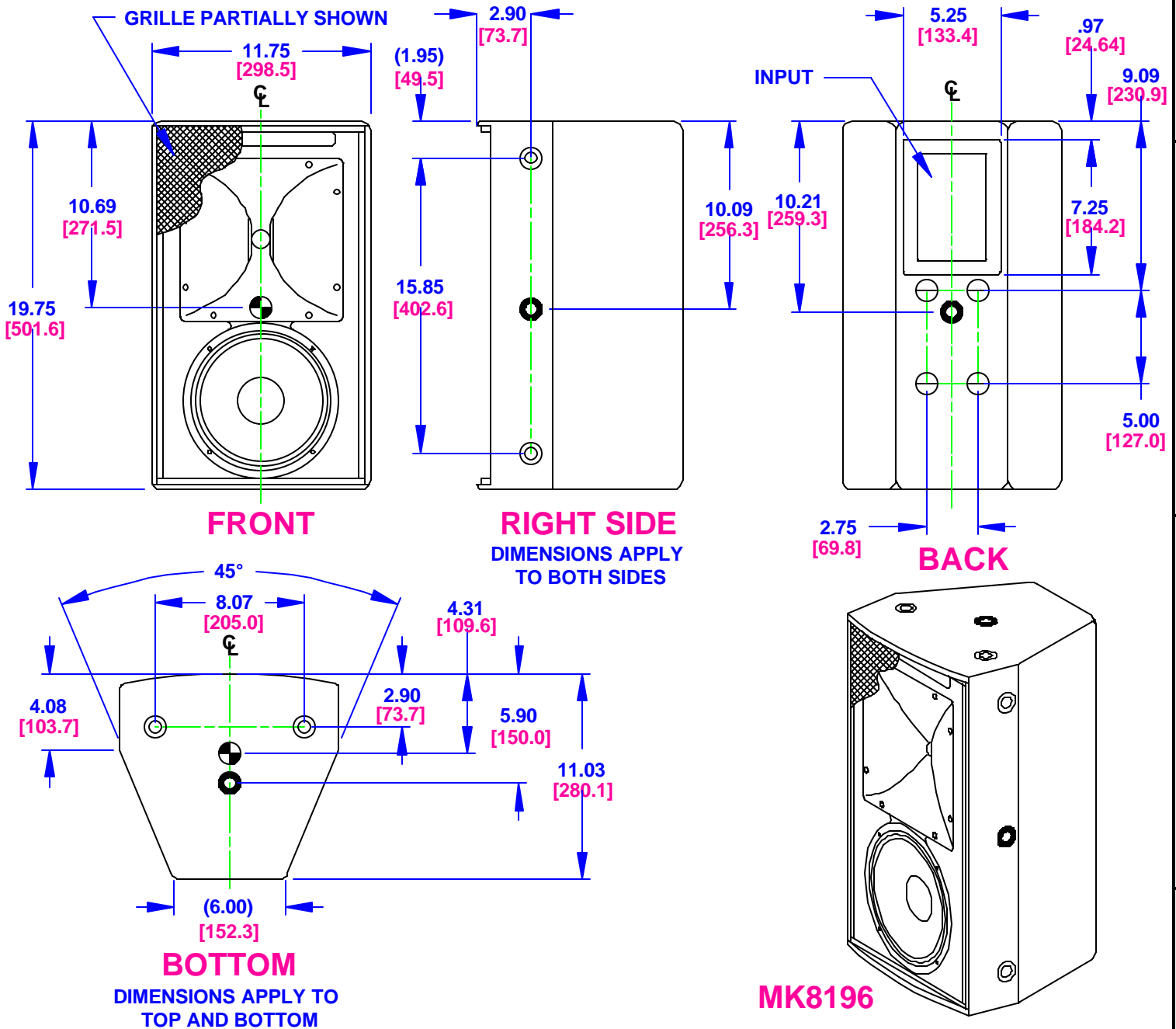


REV	DESCRIPTION	APVD/DATE
H	REVISED PER ECOWHT3751 DM 4/1/05	MS 4/13/05

NOTES:

1. SYMBOL \odot INDICATES MOUNTING POINT, 3/8-16 THREADED HOLE (PI ANGLE).
2. SYMBOL \ominus INDICATES MOUNTING POINT, 5/16-18 THREADED HOLE (OMNIMOUNT SERIES 60.0).
3. SYMBOL \bullet INDICATES MOUNTING POINT, 3/8-16 THREADED HOLE (RIVNUT).
4. SYMBOL \oplus INDICATES CENTER OF BALANCE.
5. WEIGHT APPROX. 26.00 lb [11.7 kg]
6. SHIPPING WEIGHT APPROX. 33.00 lb [14.9kg]



DOCUMENT CONTROL PER SPECIFICATION 4.5.201

THIRD ANGLE PROJECTION 	UNLESS OTHERWISE SPECIFIED: ALL DIMENSIONS ARE INCHES [MILLIMETERS] TOLERANCES LINEAR ± 0.13 in / ± 3.3 mm ANGLES $\pm 1^\circ$ (X.XX) = REF DIMS NO TOLERANCE IMPLIED TSC=THEORETICAL SHARP CORNER DIMENSIONS ACROSS CENTERLINES TO BE SYMMETRICAL	STATUS: PRODUCTION		EASTERN ACOUSTIC WORKS ONE MAIN STREET WHITINSVILLE, MA 01500 USA	
		APPROVALS	DATE		TITLE: CABINET/FINISHED/BLACK MK8196 [MECHANICAL SPECIFICATION]
THIS DRAWING IS THE PROPERTY OF EAW AND SHALL NOT BE COPIED, REPRODUCED, OR USED AS THE BASIS FOR MANUFACTURE OR SALE OF APPARATUS WITHOUT WRITTEN AUTHORIZATION. DO NOT SCALE DRAWING.		DRAWN: DM	7/6/98	SHEET 1 OF 1 SCALE: 1 TO B	
		CHECKED: RS	3/1/02		DRAWING NUMBER: 510707 REVISION: H
		DES ENG: JAR	3/1/02		
		MFG ENG: DBD	3/1/02		