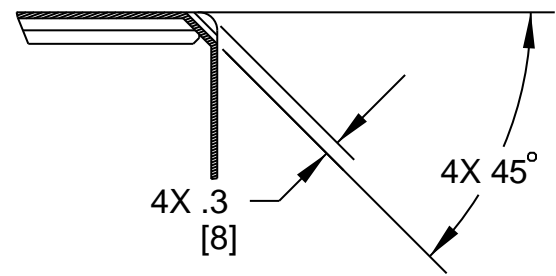
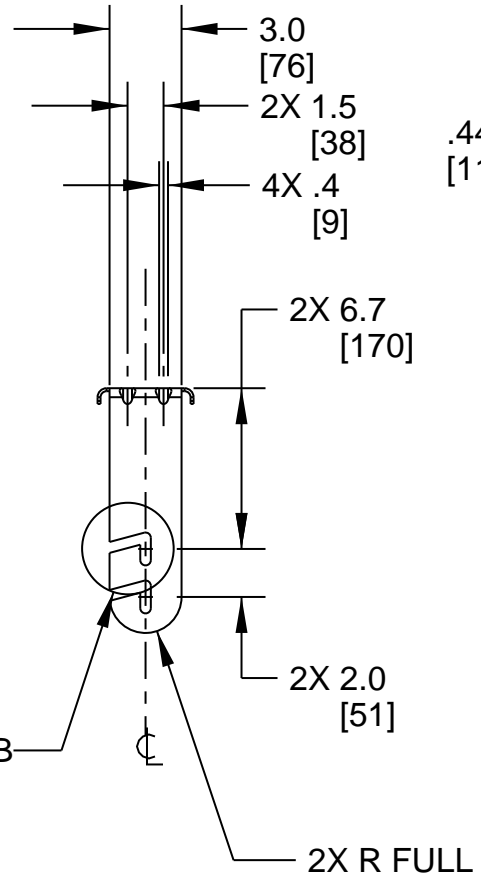
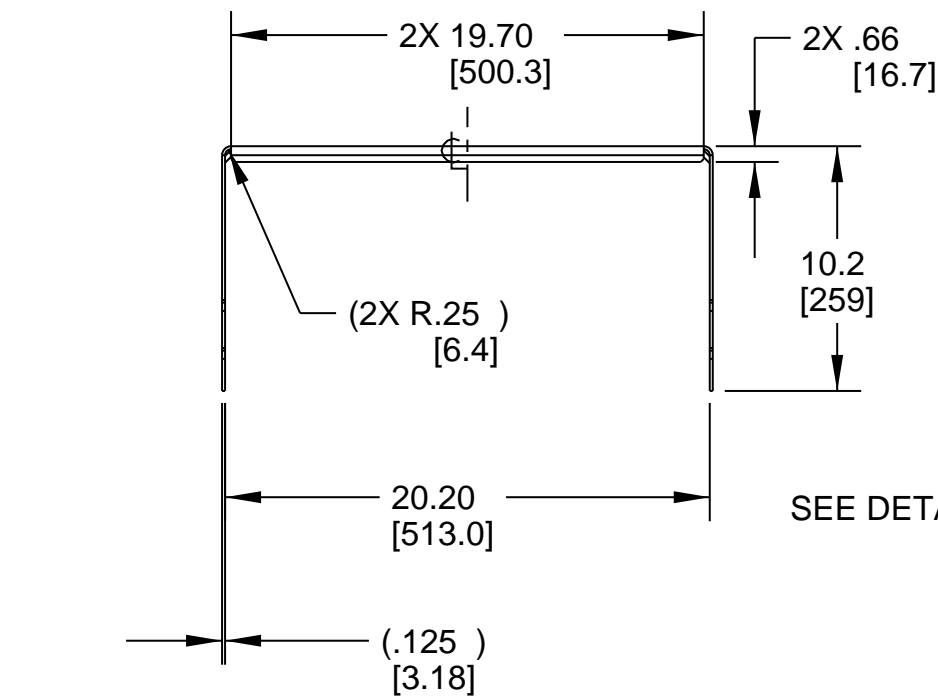
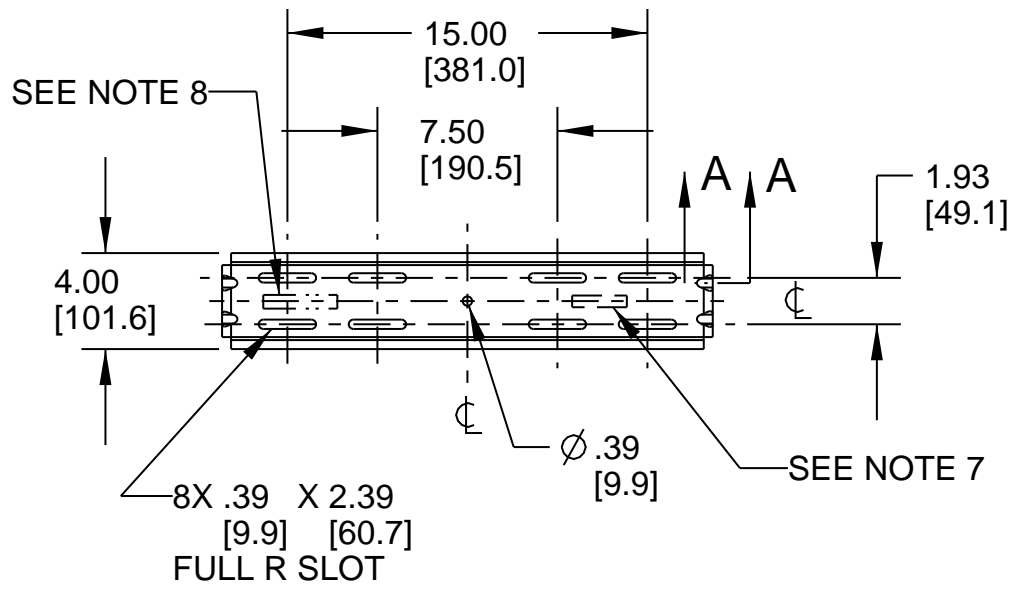


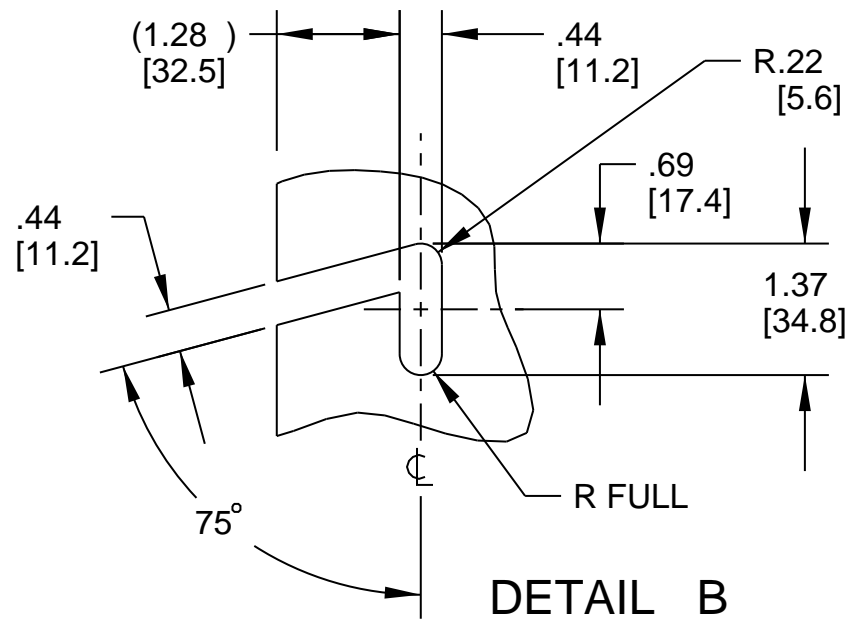
NOTES:

1. MATERIAL: .125 [3.18] ALUMINUM, 5052-H32
2. FINISH: MATTE BLACK URETHANE POWDERCOAT, DUPONT #UFB-551-S2, SHERWIN WILLIAMS #UBS2-C0001, OR LOUD TECHNOLOGIES APPROVED EQUIVALENT.
3. MINIMUM BEND RADIUS .25 [6.4] UNLESS OTHERWISE SPECIFIED.
4. LATEST REVISION OF 3D CAD FILE (SAME REVISION AS 2D DRAWING FILE) TAKES PRECEDENCE OVER 2D DRAWING FILE.
5. REMOVE BURRS AND SHARP EDGES PRIOR TO FINISH.
6. PARTS TO BE CLEANED AND FREE OF GREASE AND DEBRIS.
7. LOUD PART NUMBER, CURRENT REVISION AND DATE MANUFACTURED TO BE STAMPED, LABELED OR PERMANENTLY MARKED WHERE SHOWN IN A CONTRASTING COLOR. LETTERS TO BE .12 [3.2 mm] TALL MIN.
8. SUPPLIER I.D. NUMBER TO BE PLACE HERE.
9. THIS ITEM MUST BE COMPLIANT WITH EU DIRECTIVE 2002/95/EC (RoHS) USE ONLY RoHS COMPLIANT MATERIALS AND FINISHES.

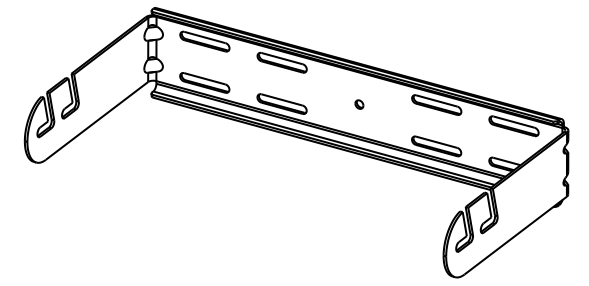
| REV | DESCRIPTION | APVD/DATE |
|-----|--|----------------------------|
| A | RELEASED TO PRODUCTION WITH THE FOLLOWING CHANGES: ADDED NOTES #8 AND #9 PER DSRWHT7090 DM 2/23/06 | KFH 2/23/06 MJD 2/23/06 |
| B | CHANGED NOTE 2. UPDATED NOTE 7. UPDATED DWG FORMAT. CHANGED DWG DESCRIPTION, SEE TITLE BLOCK. PER ECOWHT4752 (SEE DSR #07-029) DM 8/14/07 | RS 8/20/07 |



SECTION A-A
SCALE 0.250



DETAIL B
SCALE 0.500
4X



| | | | | |
|---|--|-----------------------------------|-----------------------|--|
| THIRD ANGLE PROJECTION | UNLESS OTHERWISE SPECIFIED: ALL DIMENSIONS ARE IN INCHES DUAL [MM] DIMENSIONS FOR REF ONLY TOLERANCE IN INCHES X.X ± .03 X.XX ± .015 X.XXX ± .005 FRACTIONS ± 1/32 ANGLES ± 1/2° (X.XX) = REF DIMS NO TOLERANCE IMPLIED TSC = THEORETICAL SHARP CORNER DIMENSIONS ACROSS CENTERLINES TO BE SYMMETRICAL | STATUS: PRODUCTION | | LOUD Technologies Inc. ONE MAIN STREET, WHITINSVILLE, MA 01588 USA TITLE: BRKT WALLMOUNT AL UBKT80 |
| | | APPROVALS | DATE | |
| DRAWN: MELANIE CHECKED: KFH DES. ENG: MJD MFG. ENG: MD | 10/14/05 2/27/06 3/1/06 3/1/06 | DRAWING NUMBER: 0015336 | REVISION: B | |