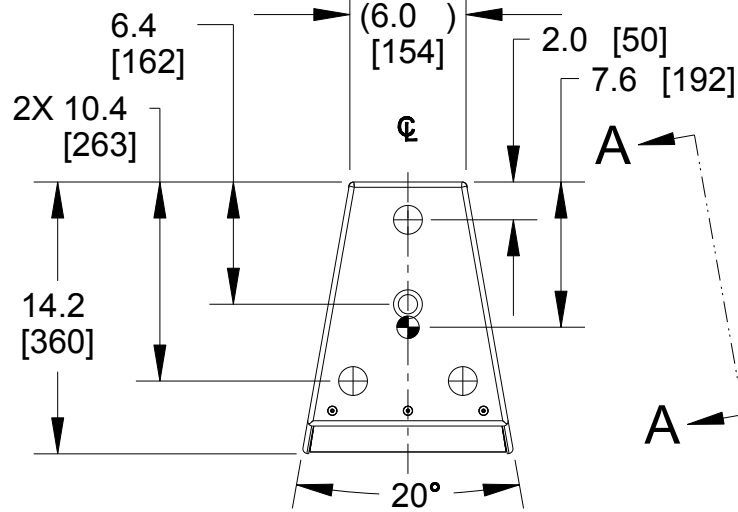
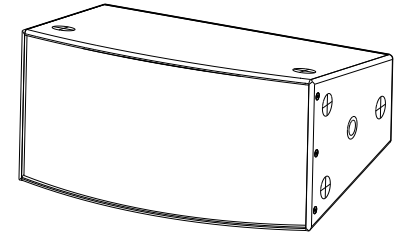


REV	CHANGE NUMBER	DATE
B	ECOEAW0442	11/25/19



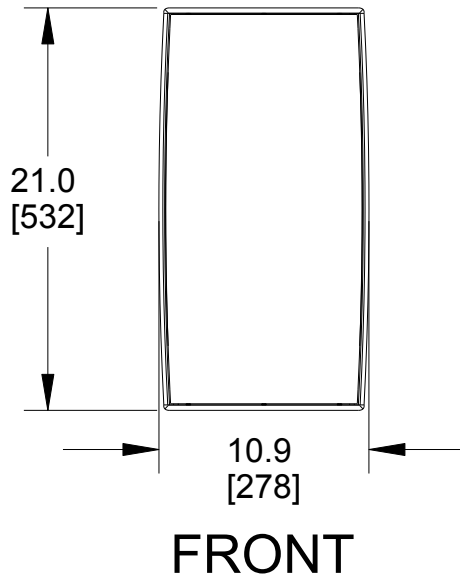
NOTES:

1. SYMBOL  $\oplus$  INDICATES MOUNTING POINT, M10 THREADED HOLE (NUT PLATE).
2. SYMBOL  $\oplus$  INDICATES MOUNTING POINT, M10 THREADED HOLE (PI ANGLE).
3. SYMBOL  $\ominus$  INDICATES MOUNTING POINT, M8 T-NUT FOR MULTIMOUNT.
4. SYMBOL  $\bullet$  INDICATES CENTER OF BALANCE.
5. WEIGHT APPROXIMATELY 45 lb [20.4 kg].
6. SHIPPING WEIGHT APPROXIMATELY 53 lb [24.0 kg].

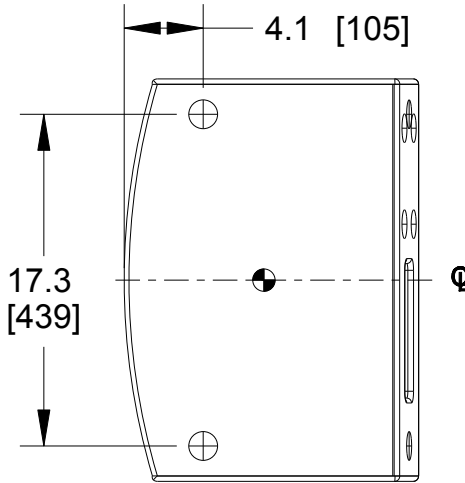


MKD800

TOP/BOTTOM

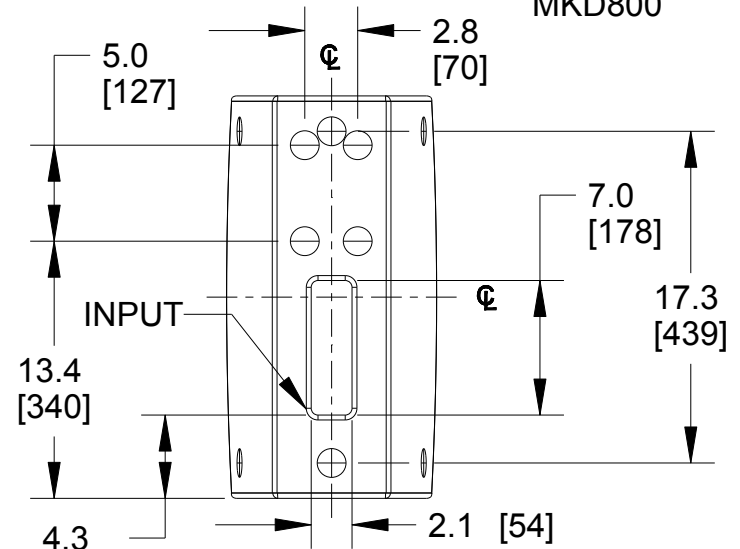


FRONT



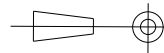
VIEW A-A

DIMENSIONS APPLY TO BOTH SIDES



BACK

THIRD ANGLE PROJECTION



THE INFORMATION CONTAINED HEREIN IS PROPRIETARY AND CONFIDENTIAL PROPERTY OF EAW ALL RIGHTS RESERVED

UNLESS OTHERWISE SPECIFIED:  
ALL DIMENSIONS ARE IN INCHES  
DUAL [MM] DIMENSIONS FOR REF ONLY

TOLERANCE IN INCHES  
LINEAR  $\pm 0.13$  in /  $\pm 3.3$  mm  
ANGLES  $\pm 1^\circ$

(X.XX) = REF DIMS  
NO TOLERANCE IMPLIED

TSC = THEORETICAL SHARP CORNER

DIMENSIONS ACROSS CENTERLINES TO BE SYMMETRICAL

**EAW** www.eaw.com

TITLE:

DWG CUSTOMER MKD800  
[MECHANICAL SPECIFICATION]

A

SHEET 1 OF 1

SCALE:  
0.100

DRAWING NUMBER:

2070605-CD

REVISION:

B