

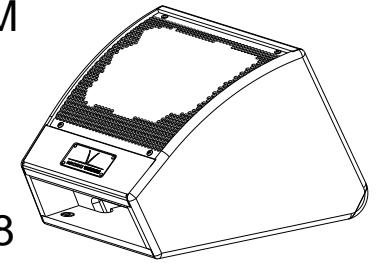
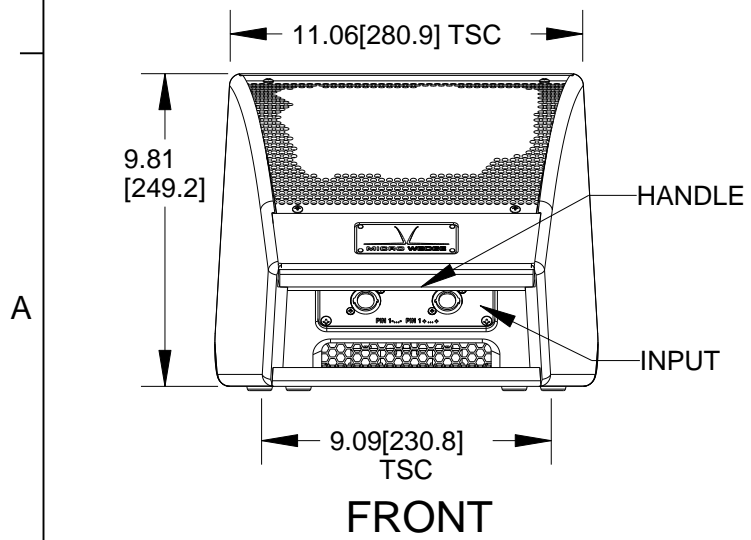
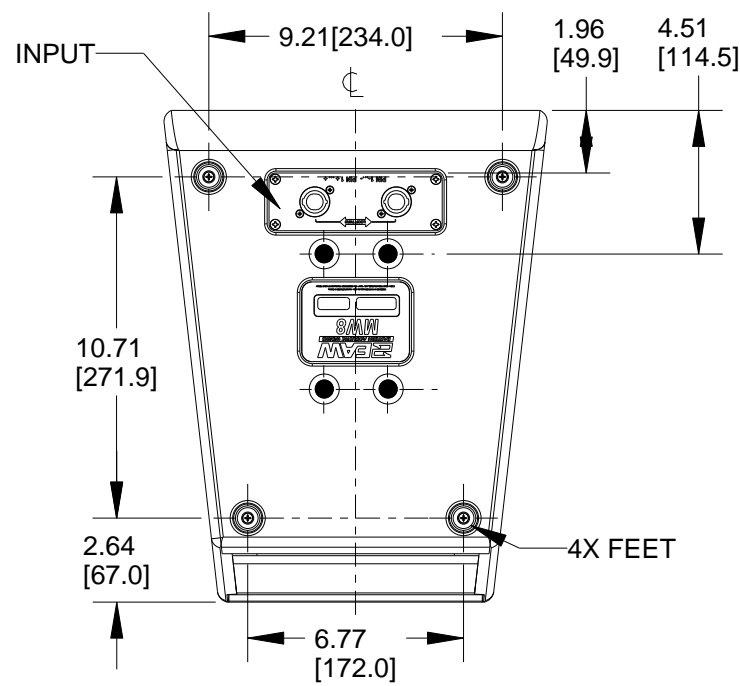
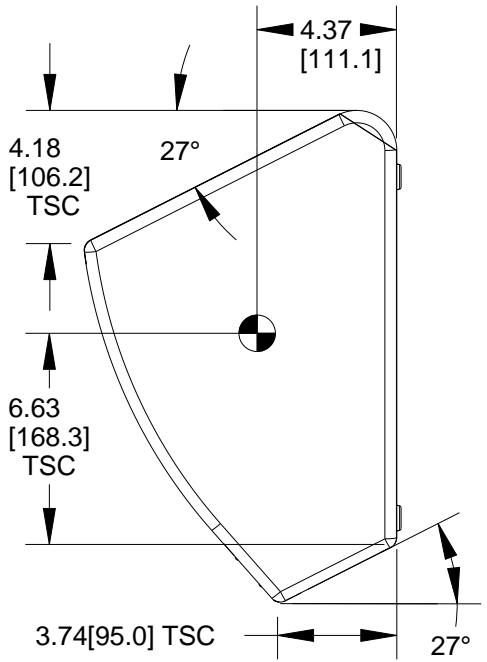
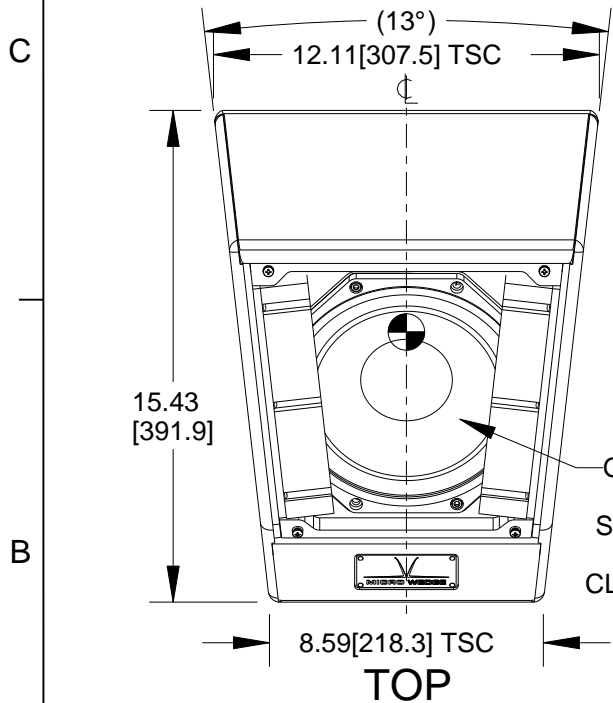
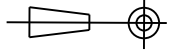


- NOTES:
 1. SYMBOL  INDICATES CENTER OF BALANCE.
 2. SYMBOL  INDICATES MOUNTING POINT,
 1/4-20 THREADED HOLE, FOR OMNIMOUNT 30.0 SERIES.
 3. WEIGHT APPROX., 19.5 LBS [9 KG]
 4. SHIPPING WEIGHT APPROX., 29.7 LBS [14 KG]

REV	CHANGE NUMBER	DATE
A	ECOWHT7616	11/9/11



THIRD ANGLE PROJECTION



THE INFORMATION CONTAINED HEREIN IS PROPRIETARY AND CONFIDENTIAL PROPERTY OF LOUD TECHNOLOGIES, INC. ALL RIGHTS RESERVED

UNLESS OTHERWISE SPECIFIED:
 ALL DIMENSIONS ARE IN INCHES
 DUAL [MM] DIMENSIONS FOR REF ONLY

TOLERANCE IN INCHES
 LINEAR ± 0.13 in / ± 3.3 mm
 ANGLES $\pm 1^\circ$

(X.XX) = REF DIMS
 NO TOLERANCE IMPLIED

TSC = THEORETICAL SHARP CORNER

DIMENSIONS ACROSS CENTERLINES TO BE SYMMETRICAL

EAW www.eaw.com

TITLE:
DWG CUSTOMER MW8
[MECHANICAL SPECIFICATION]

A	SHEET 1 OF 1	SCALE: 0.166
DRAWING NUMBER: 2036757-CD		REVISION: A