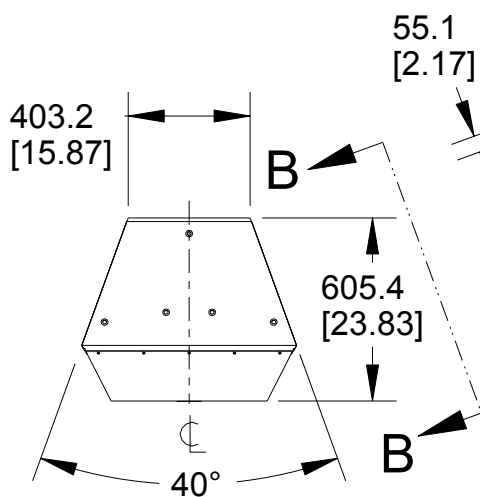
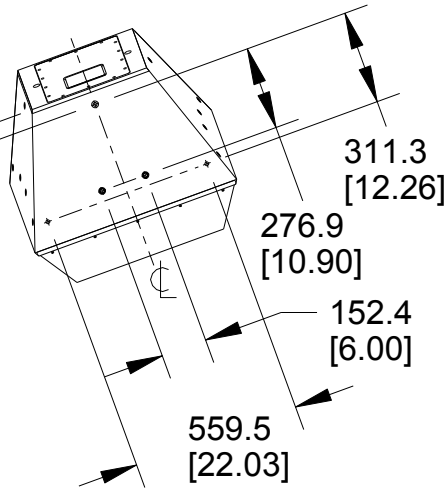


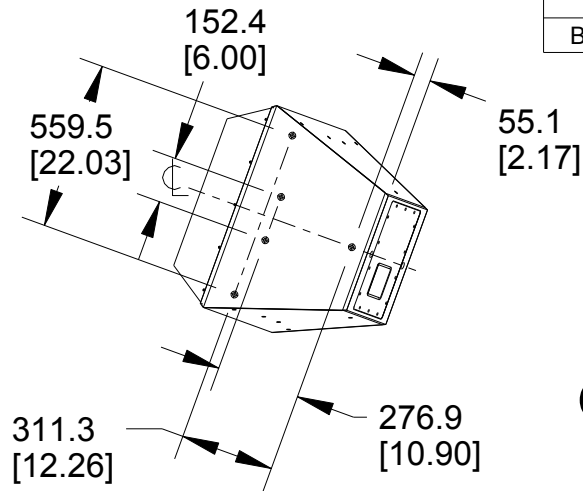
REV	CHANGE NUMBER	DATE
B	ECOWHT7222	1/28/11



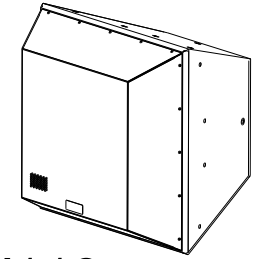
TOP/BOTTOM



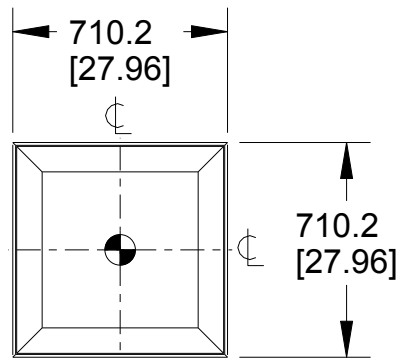
VIEW B-B



VIEW A-A

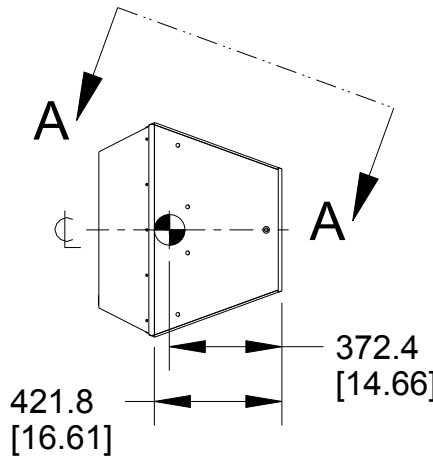


QX118



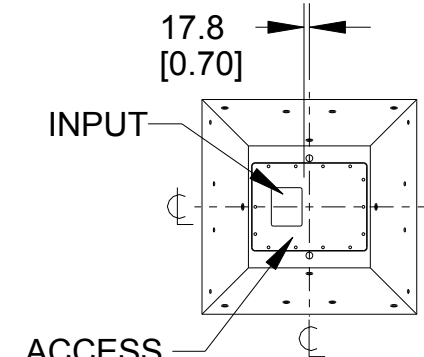
GRILLE NOT SHOWN FOR CLARITY

FRONT





RIGHT SIDE

DIMENSIONS APPLY TO BOTH SIDES

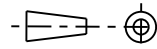


BACK

NOTES:

1. SYMBOL  INDICATES CENTER OF BALANCE.
2. SYMBOL  INDICATES MOUNTING POINT, 3/8-16THREADED HOLE.
3. WEIGHT APPROX. 89 lb [40 kg].
4. SHIPPING WEIGHT APPROX. 104 lb [47 kg].

THIRD ANGLE PROJECTION



THE INFORMATION CONTAINED HEREIN IS PROPRIETARY AND CONFIDENTIAL PROPERTY OF LOUD TECHNOLOGIES, INC. ALL RIGHTS RESERVED

UNLESS OTHERWISE SPECIFIED: ALL DIMENSIONS ARE IN MILLIMETERS DUAL [INCHES] DIMENSIONS FOR REF ONLY

TOLERANCE IN MILLIMETERS
 LINEAR ± 3.3 mm / ± 0.13 in
 ANGLES ± 1°

(X.XX) = REF DIMS
 NO TOLERANCE IMPLIED

TSC = THEORETICAL SHARP CORNER
 DIMENSIONS ACROSS CENTERLINES TO BE SYMMETRICAL

EAW www.eaw.com

TITLE:
DWG CUSTOMER QX118
[MECHANICAL SPECIFICATION]

A	SHEET 1 OF 1	SCALE: 0.040
----------	--------------	-----------------

DRAWING NUMBER: 2035611-CD	REVISION: B
-------------------------------	----------------