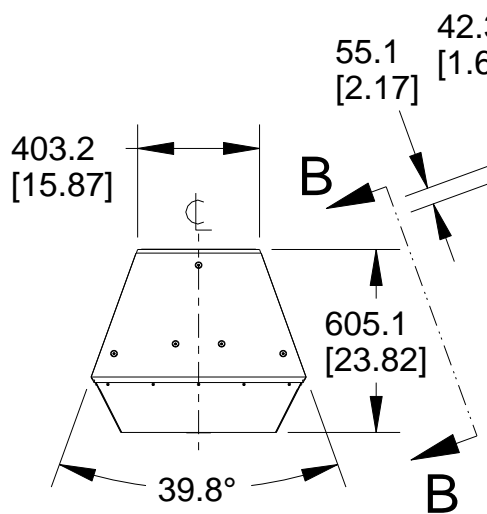
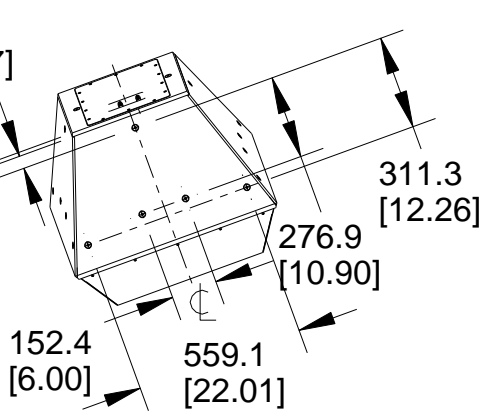


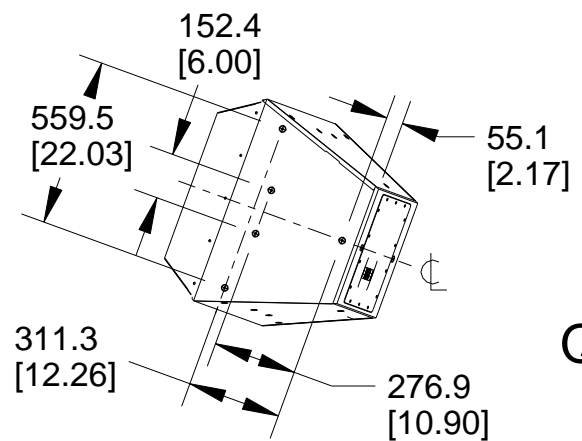
REV	CHANGE NUMBER	DATE
B	ECOWHT7075	11/3/10



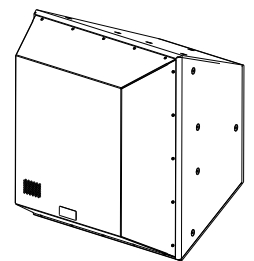
TOP/BOTTOM



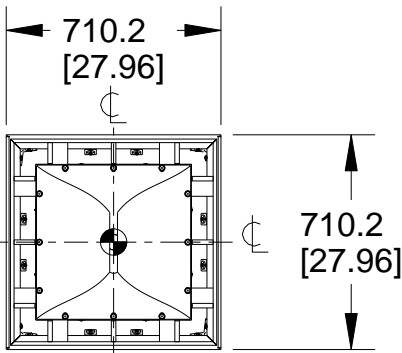
VIEW B-B



VIEW A-A

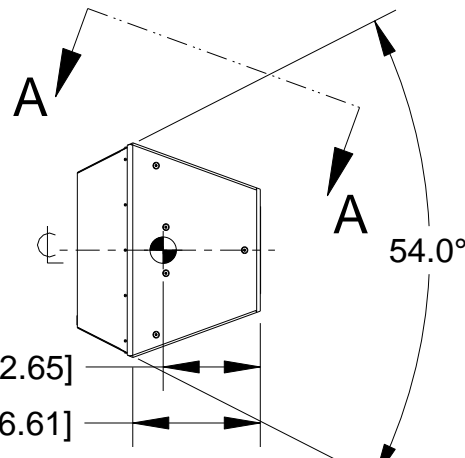


QX500

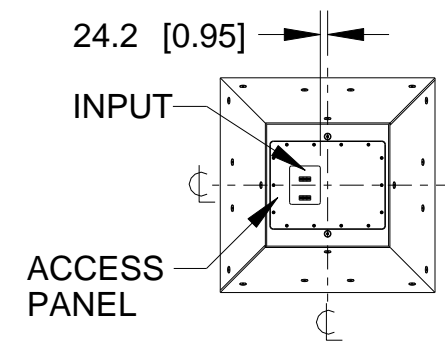


GRILLE NOT SHOWN FOR CLARITY

FRONT



**DIMENSIONS APPLY TO BOTH SIDES
RIGHT SIDE**



BACK

- NOTES:**
1. SYMBOL INDICATES CENTER OF BALANCE.
 2. SYMBOL INDICATES MOUNTING POINT, 3/8-16THREADED HOLE.
 3. WEIGHT APPROX. 120 lb [54 kg].
 4. SHIPPING WEIGHT APPROX. 135 lb [61 kg].

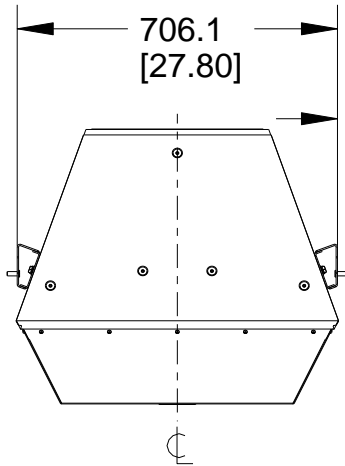
<p>THIRD ANGLE PROJECTION</p>	<p>UNLESS OTHERWISE SPECIFIED: ALL DIMENSIONS ARE IN MILLIMETERS DUAL [INCHES] DIMENSIONS FOR REF ONLY</p>	<p>EAW www.eaw.com</p>	
	<p>TOLERANCE IN MILLIMETERS LINEAR ± 3.3 mm / ± 0.13 in ANGLES ± 1°</p> <p>(X.XX) = REF DIMS NO TOLERANCE IMPLIED</p> <p>TSC = THEORETICAL SHARP CORNER</p> <p>DIMENSIONS ACROSS CENTERLINES TO BE SYMMETRICAL</p>	<p>TITLE: DWG CUSTOMER QX500 SERIES [MECHANICAL SPECIFICATION]</p>	
<p>THE INFORMATION CONTAINED HEREIN IS PROPRIETARY AND CONFIDENTIAL PROPERTY OF LOUD TECHNOLOGIES, INC. ALL RIGHTS RESERVED</p>	<p>A SHEET 1 OF 2 SCALE: 0.040</p>		<p>DRAWING NUMBER: 2035531-CD REVISION: B</p>
	<p>PRO ENGINEER</p>		

1

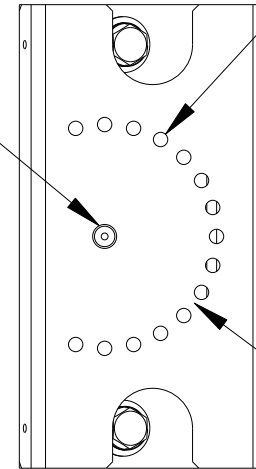
2

3

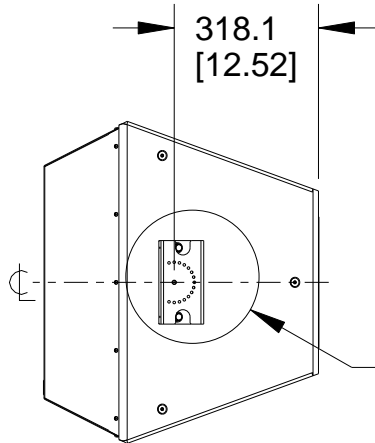
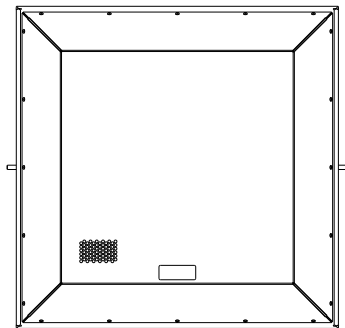
4



3/8-16 MOUNTING STUD
NUT AND WASHERS
PROVIDED



DETAIL C
SCALE 0.333



C

C

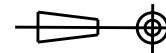
B

B

A

A

THIRD ANGLE PROJECTION



THE INFORMATION CONTAINED
HEREIN IS PROPRIETARY AND
CONFIDENTIAL PROPERTY OF
LOUD TECHNOLOGIES, INC.
ALL RIGHTS RESERVED

EAW www.eaw.com

TITLE: DWG CUSTOMER
QX500 SERIES
[MECHANICAL SPECIFICATION]

A

SHEET 2 OF 2

SCALE:
0.060

DRAWING NUMBER:

2035531-CD

REVISION:

B

1

2

3

4

PRO ENGINEER