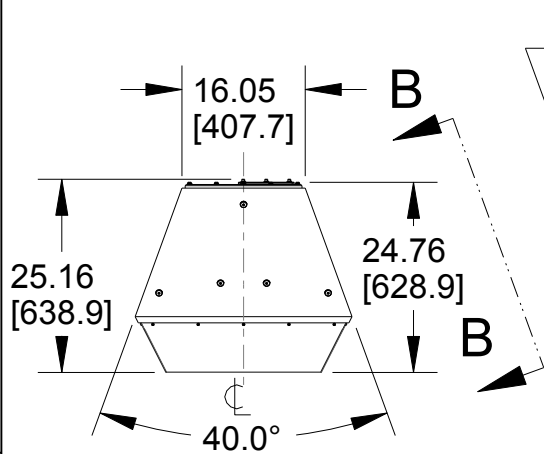
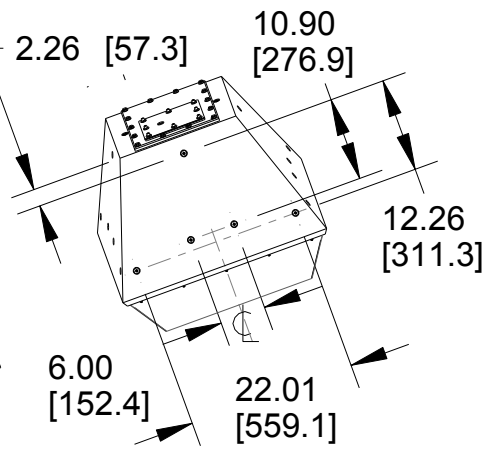


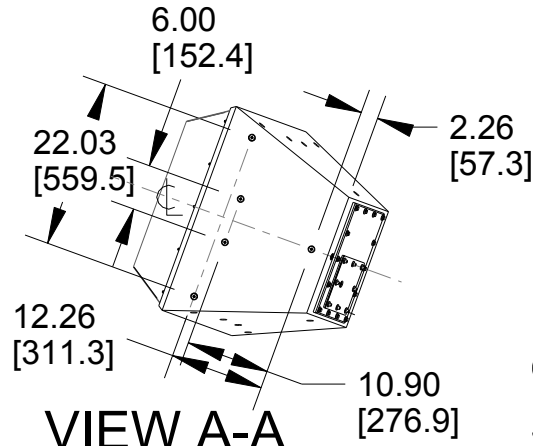
REV	CHANGE NUMBER	DATE
C	ECOWHT8684	06/08/12



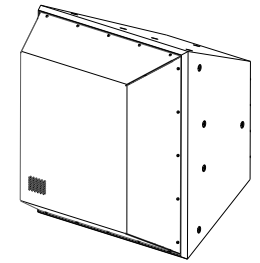
**TOP/BOTTOM**



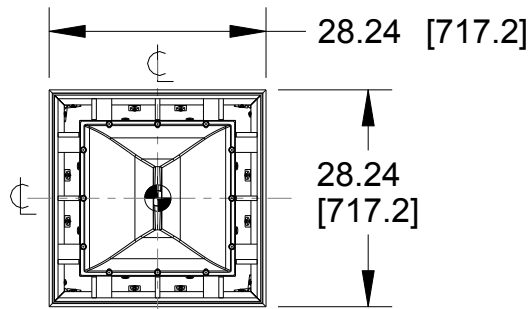
**VIEW B-B**



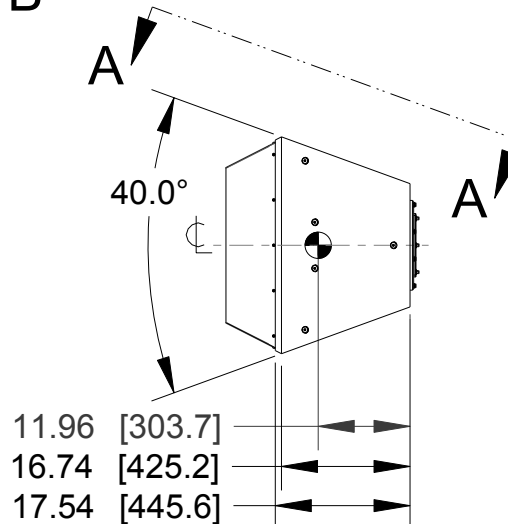
**VIEW A-A**



**QX500i-WP  
SERIES**

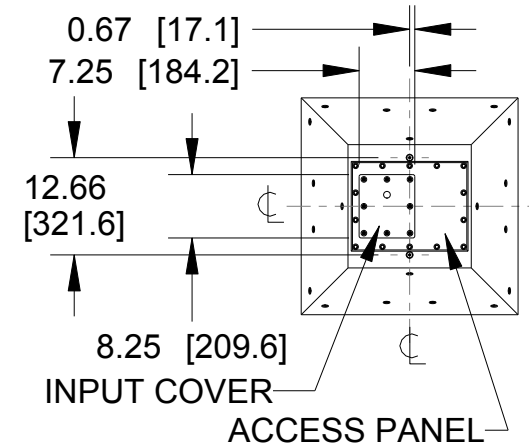


GRILLE NOT SHOWN  
FOR CLARITY  
**FRONT**



**RIGHT SIDE**



DIMENSIONS APPLY TO BOTH SIDES



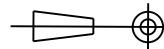
**INPUT COVER  
ACCESS PANEL**

**BACK**

**NOTES:**

1. SYMBOL  INDICATES CENTER OF BALANCE.
2. SYMBOL  INDICATES MOUNTING POINT, 3/8-16 THREADED HOLE.
3. WEIGHT APPROX. 156 lb [71 kg].
4. SHIPPING WEIGHT APPROX. 171 lb [78 kg].

THIRD ANGLE PROJECTION



THE INFORMATION CONTAINED  
HEREIN IS PROPRIETARY AND  
CONFIDENTIAL PROPERTY OF  
LOUD TECHNOLOGIES, INC.  
ALL RIGHTS RESERVED

UNLESS OTHERWISE SPECIFIED:  
ALL DIMENSIONS ARE IN INCHES  
DUAL [MM] DIMENSIONS  
FOR REF ONLY

TOLERANCE IN INCHES  
LINEAR  $\pm 0.13$  in /  $\pm 3.3$  mm  
ANGLES  $\pm 1^\circ$

(X.XX) = REF DIMS  
NO TOLERANCE IMPLIED

TSC = THEORETICAL SHARP CORNER  
DIMENSIONS ACROSS CENTERLINES  
TO BE SYMMETRICAL

**EAW** www.eaw.com

TITLE:  
**DWG CUSTOMER  
QX500i-WP SERIES  
[MECHANICAL SPECIFICATION]**

**A**

SHEET 1 OF 1

SCALE:  
0.040

DRAWING NUMBER:

2039637-CD

REVISION:

C