

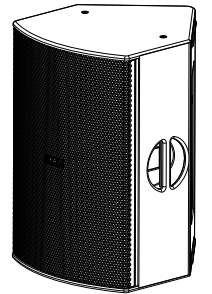


NOTES:

1. SYMBOL  INDICATES CENTER OF BALANCE
2. SYMBOL  INDICATES M8 MOUNTING POINT.
3. WEIGHT APPROX. 55.0 lb[24kg]
4. SHIPPING WEIGHT APPROX. 60.0lb[27kg]
5. CENTER OF BALANCE SHOWN WITH AMPLIFIER IN SHIPPED POSITION (RIGHT SIDE). CENTER OF BALANCE IS MIRRORED WHEN AMPLIFIER IS MOVED TO OPPOSITE SIDE.

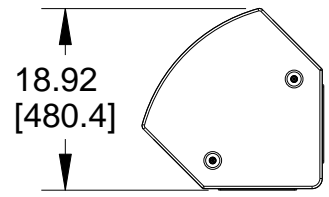
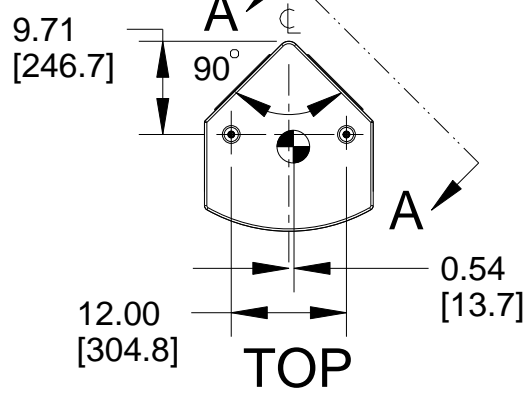
REV	CHANGE NUMBER	DATE
A	ECOWH10777	6/23/15



RL15

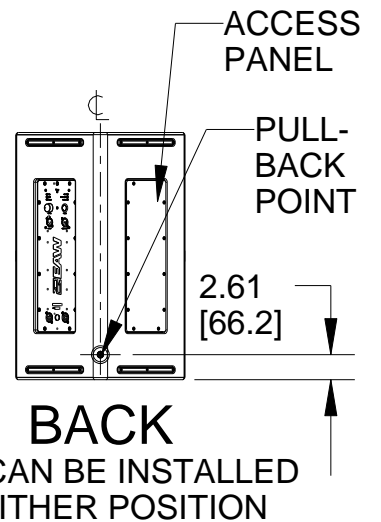
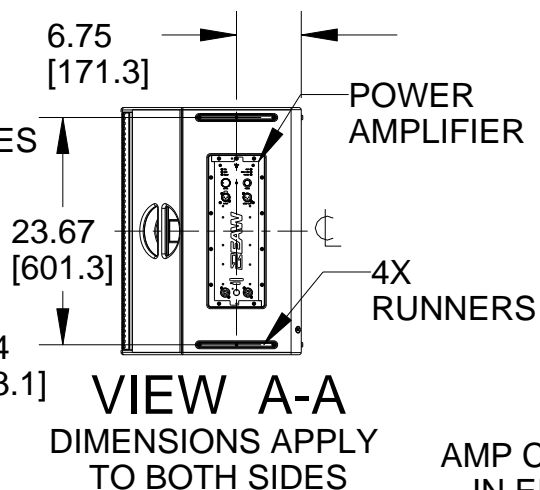
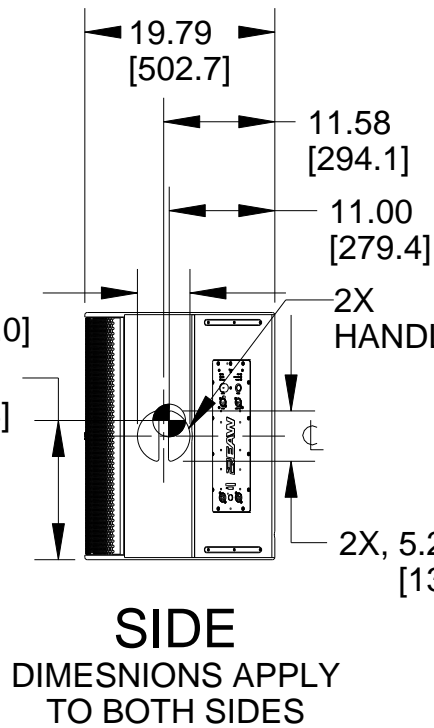
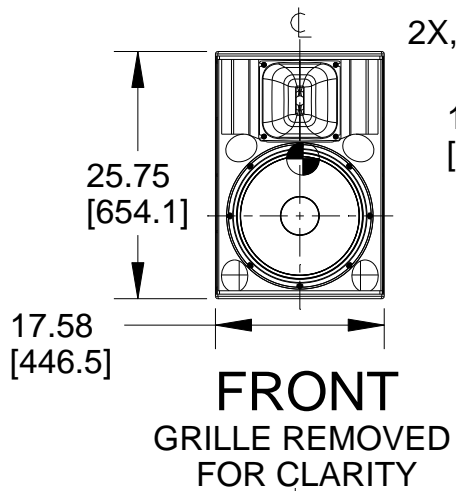
C

C



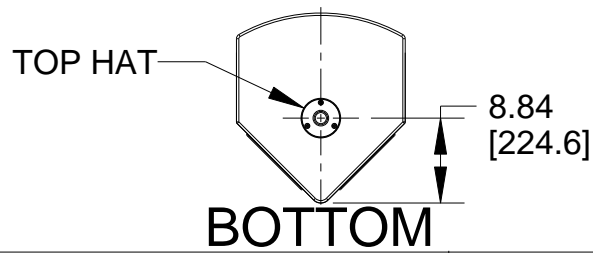
B

B

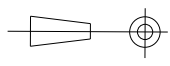


A

A



THIRD ANGLE PROJECTION



THE INFORMATION CONTAINED HEREIN IS PROPRIETARY AND CONFIDENTIAL PROPERTY OF LOUD TECHNOLOGIES, INC. ALL RIGHTS RESERVED

UNLESS OTHERWISE SPECIFIED: ALL DIMENSIONS ARE IN INCHES DUAL [MM] DIMENSIONS FOR REF ONLY

TOLERANCE IN INCHES
LINEAR ± 0.13 in / ± 3.3 mm
ANGLES ± 1°

(X.XX) = REF DIMS
NO TOLERANCE IMPLIED

TSC = THEORETICAL SHARP CORNER

DIMENSIONS ACROSS CENTERLINES TO BE SYMMETRICAL

EAW www.eaw.com

TITLE:
DWG CUSTOMER RL15
[MECHANICAL SPECIFICATION]

A	SHEET 1 OF 1	SCALE: 0.050
----------	--------------	-----------------

DRAWING NUMBER: 2045303-CD	REVISION: A
--------------------------------------	-----------------------

1

2

3

4

PRO ENGINEER