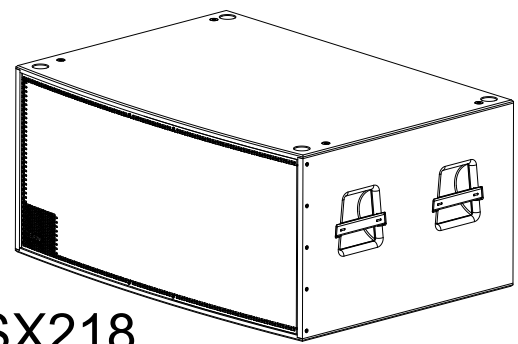


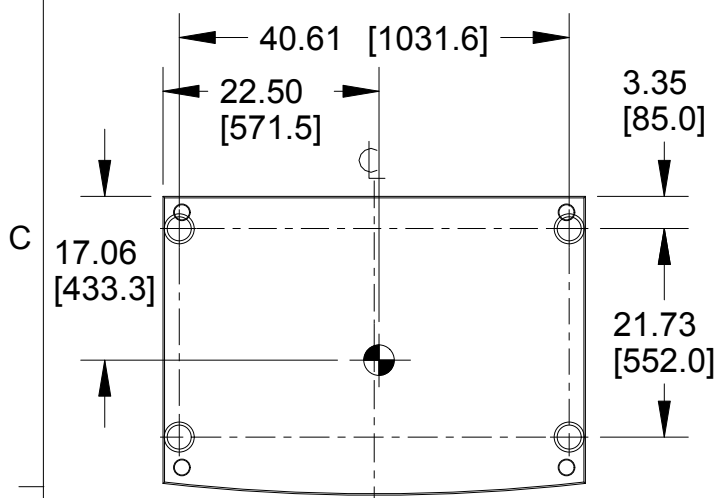
REV	CHANGE NUMBER	DATE
A	ECOWH11917	8/1/17

- NOTES:
1. SYMBOL INDICATES CENTER OF BALANCE.
 2. SYMBOL INDICATES MOUNTING POINT, M10 THREADED HOLE (PI ANGLE).
 3. SYMBOL INDICATES RUBBER FOOT.
 4. WEIGHT APPROX. 153 lb [69 kg].
 5. SHIPPING WEIGHT APPROX. 187 lb [85 kg].

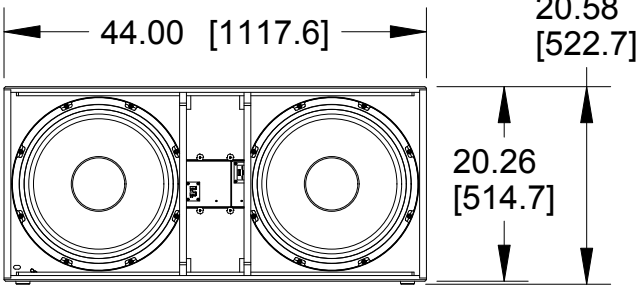


EAW RSX218

TOP

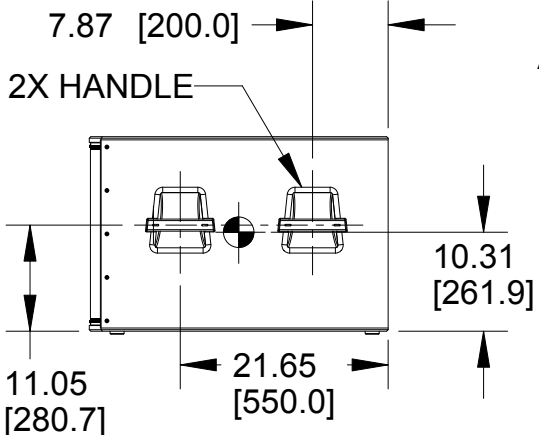


B



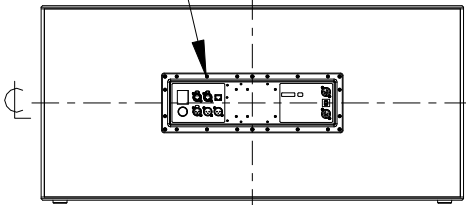
GRILLE NOT SHOWN FOR CLARITY

FRONT



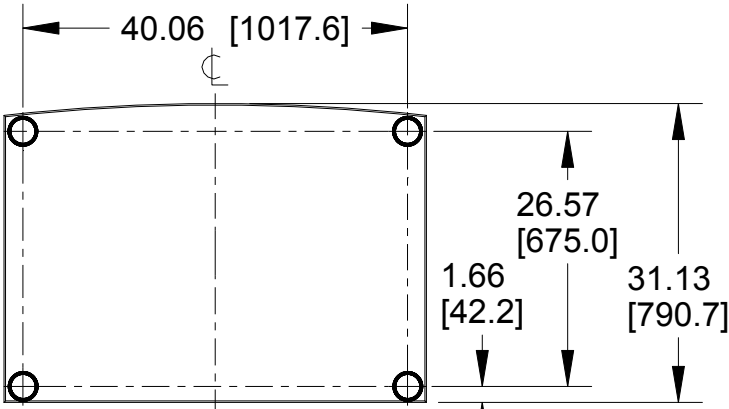
RIGHT SIDE
DIMENSIONS APPLY TO BOTH SIDES

AMPLIFIER



BACK

A



BOTTOM

<p>THIRD ANGLE PROJECTION</p>	<p>UNLESS OTHERWISE SPECIFIED: ALL DIMENSIONS ARE IN INCHES DUAL [MM] DIMENSIONS FOR REF ONLY</p> <p>TOLERANCE IN INCHES LINEAR ± 0.13 in / ± 3.3 mm ANGLES ± 1°</p> <p>(X.XX) = REF DIMS NO TOLERANCE IMPLIED</p> <p>TSC = THEORETICAL SHARP CORNER DIMENSIONS ACROSS CENTERLINES TO BE SYMMETRICAL</p>	<p>EAW www.eaw.com</p>	
		<p>TITLE: DWG CUSTOMER EAW RSX218</p>	
<p>THE INFORMATION CONTAINED HEREIN IS PROPRIETARY AND CONFIDENTIAL PROPERTY OF LOUD TECHNOLOGIES, INC. ALL RIGHTS RESERVED</p>	<p>DRAWING NUMBER: 2048609-CD</p>	<p>A</p>	<p>SHEET 1 OF 1</p>
		<p>SCALE: 0.050</p>	<p>REVISION: A</p>