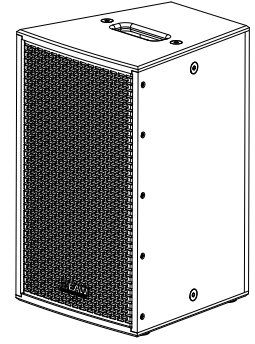
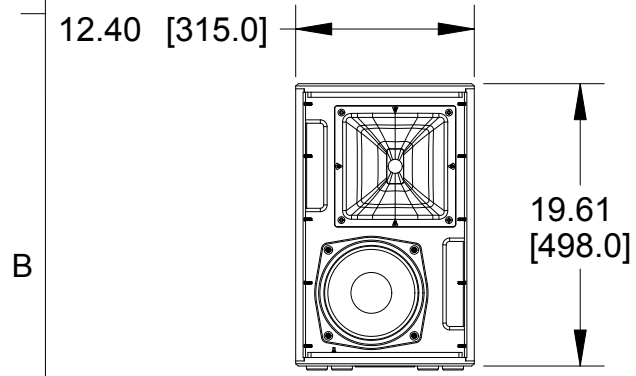


- NOTES:
1. SYMBOL INDICATES CENTER OF BALANCE.
 2. SYMBOL INDICATES MOUNTING POINT, M10 THREADED HOLE (PI ANGLE).
 3. SYMBOL INDICATES MOUNTING POINT, M10 THREADED HOLE (NUT PLATE).
 4. SYMBOL INDICATES RUBBER FOOT.
 5. WEIGHT APPROX. 33.6 lb [15.1 kg].
 6. SHIPPING WEIGHT APPROX. 40 lb [18 kg].

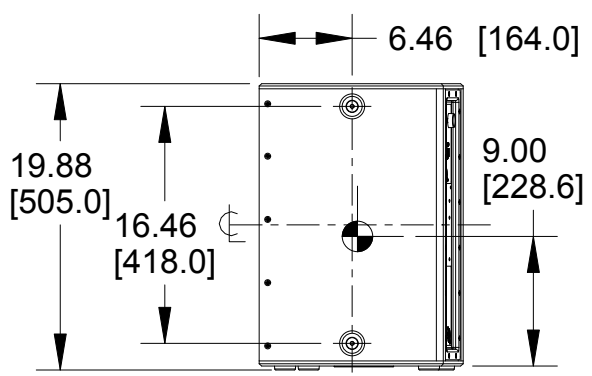
REV	CHANGE NUMBER	DATE
A	ECOWH11312	6/27/16
B	ECOWH11337	8/22/16



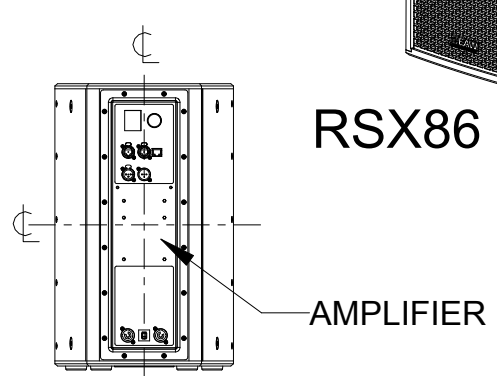
RSX86



FRONT

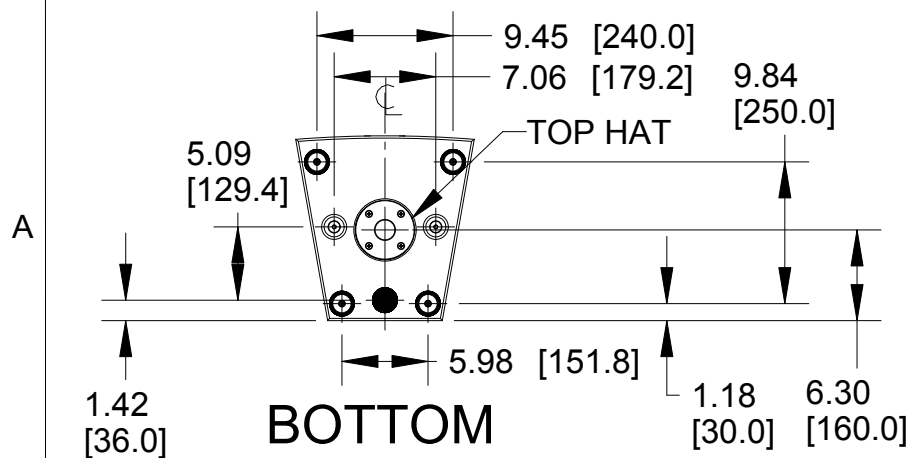


RIGHT SIDE



BACK

DIMENSIONS APPLY TO BOTH SIDES



BOTTOM

THIRD ANGLE PROJECTION

THE INFORMATION CONTAINED HEREIN IS PROPRIETARY AND CONFIDENTIAL PROPERTY OF LOUD TECHNOLOGIES, INC. ALL RIGHTS RESERVED

UNLESS OTHERWISE SPECIFIED:
ALL DIMENSIONS ARE IN INCHES
DUAL [MM] DIMENSIONS FOR REF ONLY

TOLERANCE IN INCHES
LINEAR ± 0.13 in / ± 3.3 mm
ANGLES $\pm 1^\circ$

(X.XX) = REF DIMS
NO TOLERANCE IMPLIED

TSC = THEORETICAL SHARP CORNER

DIMENSIONS ACROSS CENTERLINES TO BE SYMMETRICAL

EAW www.eaw.com

TITLE:
DWG CUSTOMER EAW RSX86

A	SHEET 1 OF 1	SCALE: 0.075
DRAWING NUMBER: 2047530-CD		REVISION: B