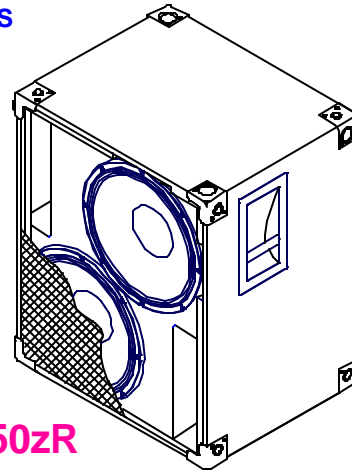
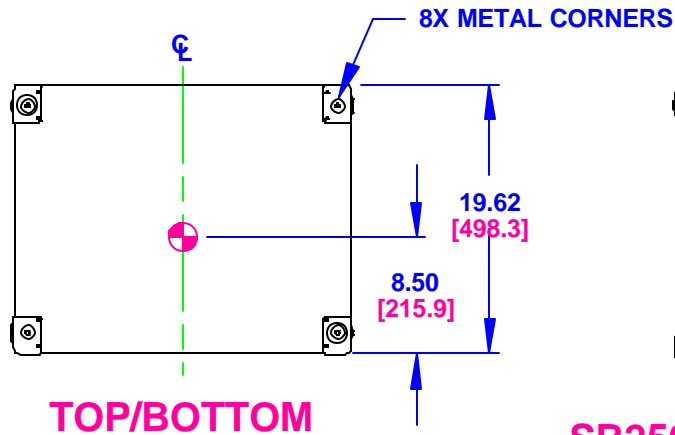

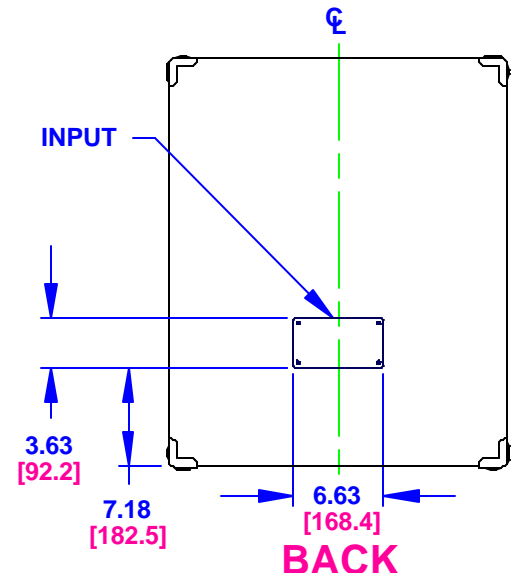
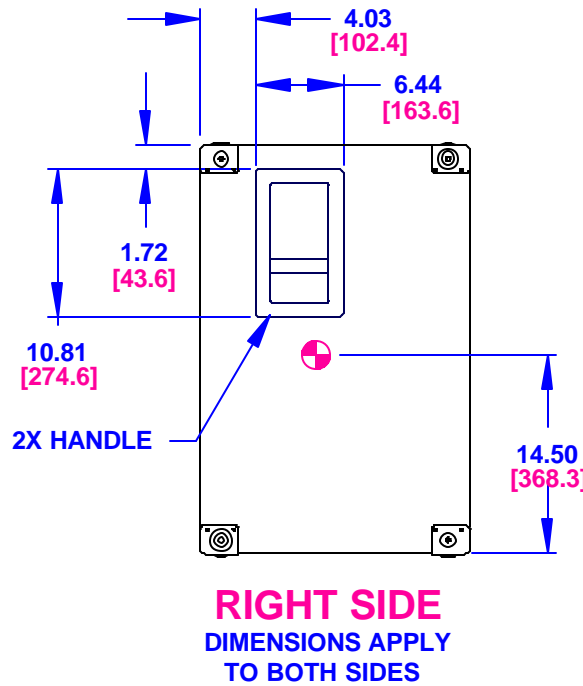
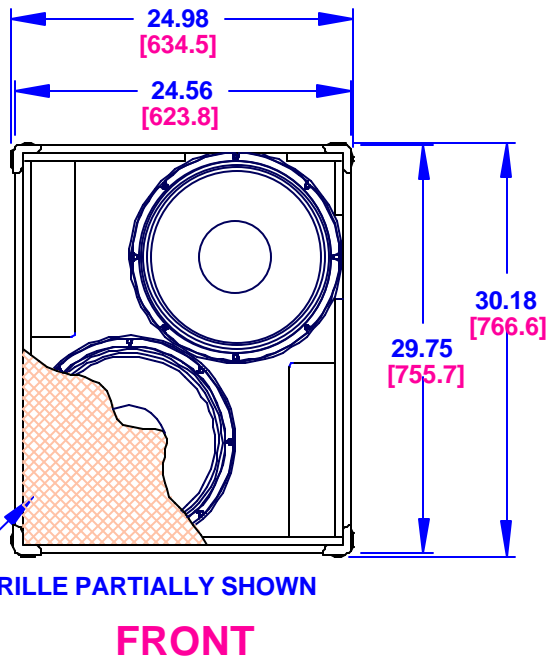


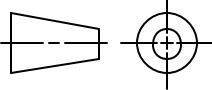
REV	DESCRIPTION	APVD/DATE
B	REVISED PER ECOWHT3608 DM 11/2/04	JB 11/17/04



- NOTES:**
2. SYMBOL  INDICATES CENTER OF BALANCE.
 3. WEIGHT APPROX. 112 lb [50.8]
 4. SHIPPING WEIGHT APPROX. 122 lb [55.3]



DOCUMENT CONTROL PER SPECIFICATION 4.5.201

<p>THIRD ANGLE PROJECTION</p> 	<p>UNLESS OTHERWISE SPECIFIED ALL DIMENSIONS ARE: INCHES [MILLIMETERS]</p> <p>TOLERANCES LINEAR ± 0.13 in / ± 3.3 mm ANGLES $\pm 1^\circ$</p> <p>(X.XX) = REF DIMS NO TOLERANCE IMPLIED TSC=THEORETICAL SHARP CORNER DIMENSIONS ACROSS CENTERLINES TO BE SYMMETRICAL</p>	<p>STATUS: PRODUCTION</p>		<p>EAW EASTERN ACOUSTIC WORKS ONE MAIN STREET WHITINSVILLE, MA 01588 USA</p>
		<p>APPROVALS</p> <p>DRAWN: DM</p> <p>CHECKED: RS</p> <p>DES ENG: BP</p> <p>MFG ENG: SM</p>	<p>DATE</p> <p>4/5/04</p> <p>5/12/04</p> <p>5/12/04</p> <p>5/12/04</p>	
<p>THIS DRAWING IS THE PROPERTY OF EAW AND SHALL NOT BE COPIED, REPRODUCED, OR USED AS THE BASIS FOR MANUFACTURE OR SALE OF APPARATUS WITHOUT WRITTEN AUTHORIZATION. DO NOT SCALE DRAWING.</p>		<p>A</p>	<p>SHEET 1 OF 1</p>	<p>SCALE: 1 TO 14</p>
		<p>DRAWING NUMBER: 0008863</p>	<p>REVISION: B</p>	