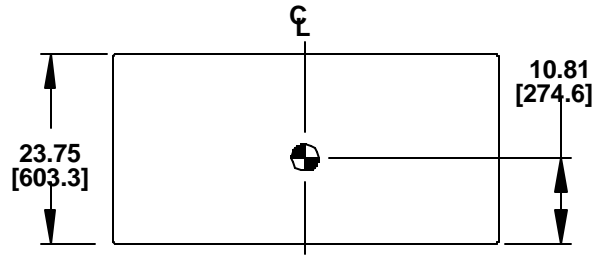
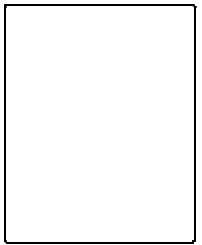


REV	DESCRIPTION	APVD/DATE
G	ADDED METRIC DIMENSIONS AND UPDATED TOLERANCE BLOCK TO CURRENT STANDARDS PER ECQWHT4004 CA 12/6/05	RAS 12/7/05

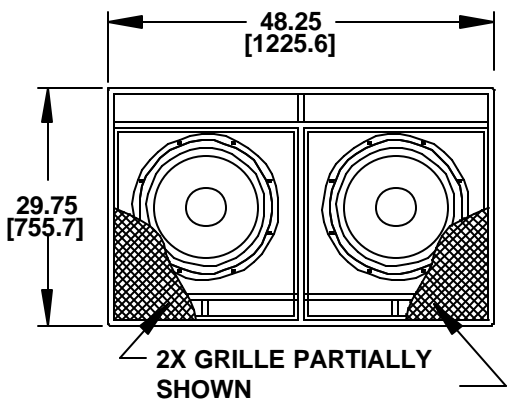


**TOP**  
DIMENSIONS APPLY TO TOP AND BOTTOM

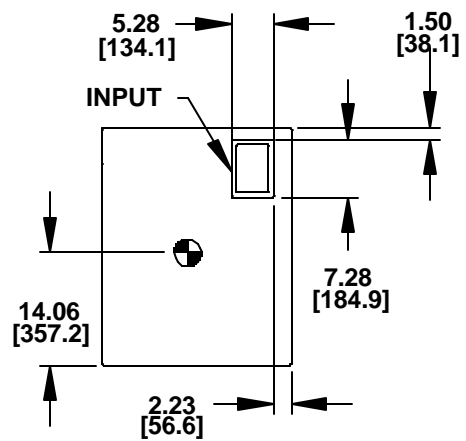
- NOTES:**
1. SYMBOL INDICATES CENTER OF BALANCE.
  2. WEIGHT APPROX. 218 LBS. (98.9 Kg)
  3. SHIPPING WEIGHT APPROX. 227 LBS. (103.0 Kg)



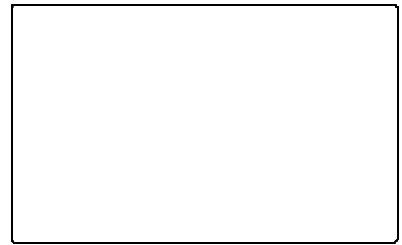
**LEFT SIDE**



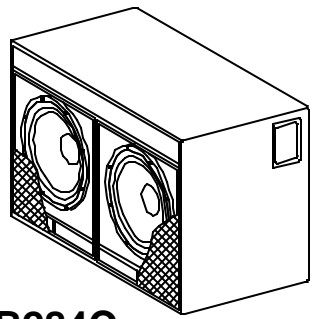
**FRONT**



**RIGHT SIDE**



**BACK**



**SB284C**

DOCUMENT CONTROL PER SPECIFICATION 4.5.201

THIRD ANGLE PROJECTION

THIS DRAWING IS THE PROPERTY OF EAW AND SHALL NOT BE COPIED, REPRODUCED, OR USED AS THE BASIS FOR MANUFACTURE OR SALE OF APPARATUS WITHOUT WRITTEN AUTHORIZATION. DO NOT SCALE DRAWING.

UNLESS OTHERWISE SPECIFIED:  
ALL DIMENSIONS ARE INCHES [MILLIMETERS]

TOLERANCES  
LINEAR  $\pm 0.13 \text{ in} / \pm 3.3 \text{ mm}$   
ANGLES  $\pm 1^\circ$

(X.XX) = REF DIMS  
NO TOLERANCE IMPLIED

TSC=THEORETICAL SHARP CORNER  
DIMENSIONS ACROSS CENTERLINES TO BE SYMMETRICAL

STATUS: PRODUCTION	
APPROVALS	DATE
DRAWN: PSN	9/25/95
CHECKED: N/A	N/A
DES ENG: A. LEWIS	9/30/95
MFG ENG: N/A	N/A

**EAW** EASTERN ACOUSTIC WORKS  
ONE MAIN STREET  
WHITINSVILLE, MA 01588 USA

TITLE: CABINET/FINISHED/BLACK/SB284C  
[MECHANICAL SPECIFICATION]

<b>A</b>	SHEET 1 OF 1	SCALE: 1 TO 24
DRAWING NUMBER: 510136		REVISION: G