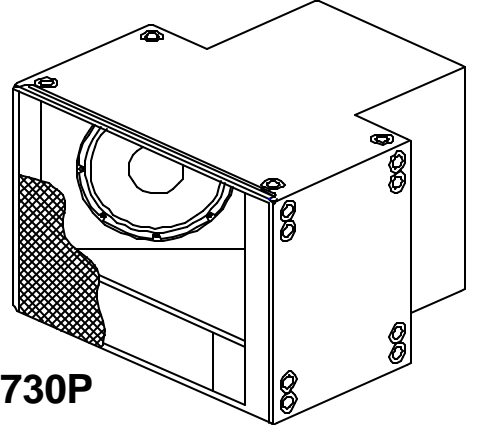


REV	DESCRIPTION	APVD/DATE
C	ADDED METRIC DIMENSIONS AND UPDATED TOLERANCE BLOCK TO CURRENT STANDARDS PER ECQWHT4008 CA 12/6/05	RAS 12/7/05



<p>THIRD ANGLE PROJECTION</p> <p>THIS DRAWING IS THE PROPERTY OF EAW AND SHALL NOT BE COPIED, REPRODUCED, OR USED AS THE BASIS FOR MANUFACTURE OR SALE OF APPARATUS WITHOUT WRITTEN AUTHORIZATION. DO NOT SCALE DRAWING.</p>	<p>UNLESS OTHERWISE SPECIFIED: ALL DIMENSIONS ARE INCHES [MILLIMETERS]</p> <p>TOLERANCES LINEAR ± 0.13 in / ± 3.3 mm ANGLES $\pm 1^\circ$</p> <p>(x.xx) = REF DIMS NO TOLERANCE IMPLIED</p> <p>TSC=THEORETICAL SHARP CORNER DIMENSIONS ACROSS CENTERLINES TO BE SYMMETRICAL</p>	STATUS: PRODUCTION		EASTERN ACOUSTIC WORKS ONE MAIN STREET WHITINSVILLE, MA 01588 USA	
		APPROVALS	DATE		TITLE: CABINET/FINISHED/BLACK/SB730P [MECHANICAL SPECIFICATIONS]
		DRAWN: MELANIE	7/14/03		
		CHECKED: DM	11/10/03		A SHEET 1 OF 1 SCALE: 1 TO 12
		DES ENG: NB	11/13/03		
MFG ENG: DD	11/10/03	DRAWING NUMBER: 0007776 REVISION: C			

DOCUMENT CONTROL PER SPECIFICATION 4.5.201