

# SB818P|F

## Flyable Installation Subwoofer

- ▶ Compact design ideal for installs with floor space constraints or specific aesthetic demands
- ▶ Cable chases for concealed wiring and rigging
- ▶ 5.3in Voice Coil Driver

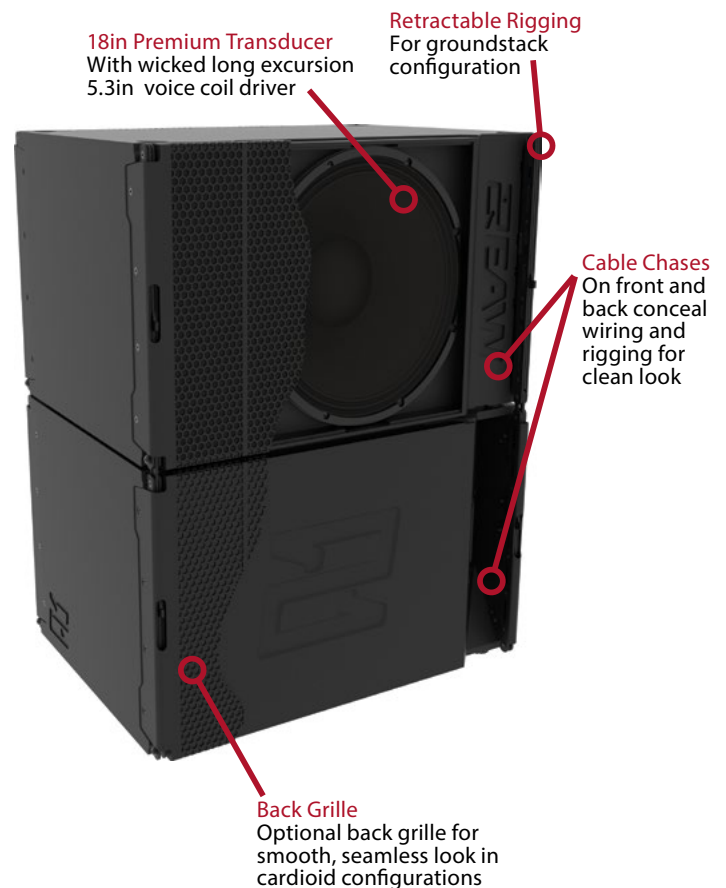


### OVERVIEW

The SB818P|F is a high output, mid-size subwoofer system. SB series subwoofers are the choice where the best sonic performance, highest reliability, and most robust physical construction are required.

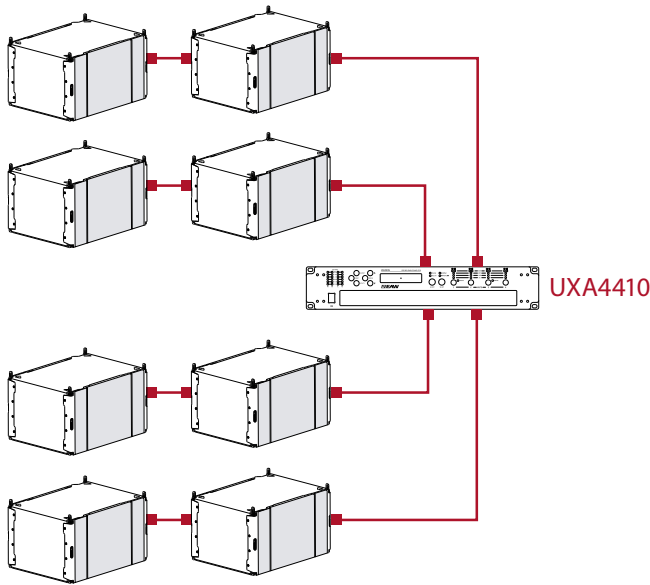
SB818P|F is direct radiating with an optimally tuned vented enclosure. Top quality drivers developed in concert with EAW engineering to provide the highest output and best sonic performance. Powerful neodymium transducers with tremendous motor strength reduce system weight and increase output response at all output levels. EAW engineers have tailored digital signal processing for optimum LF response.

The versatile, all-purpose SB818P|F subwoofer works well with most full-range loudspeakers in a variety of applications. It is designed for permanent installation where the fatter-sounding output of an 18 inch driver is desired. Additionally, the SB818P|F is flyable and ultra-compact, ideal for installs or other applications with minimal floor space for subwoofers.



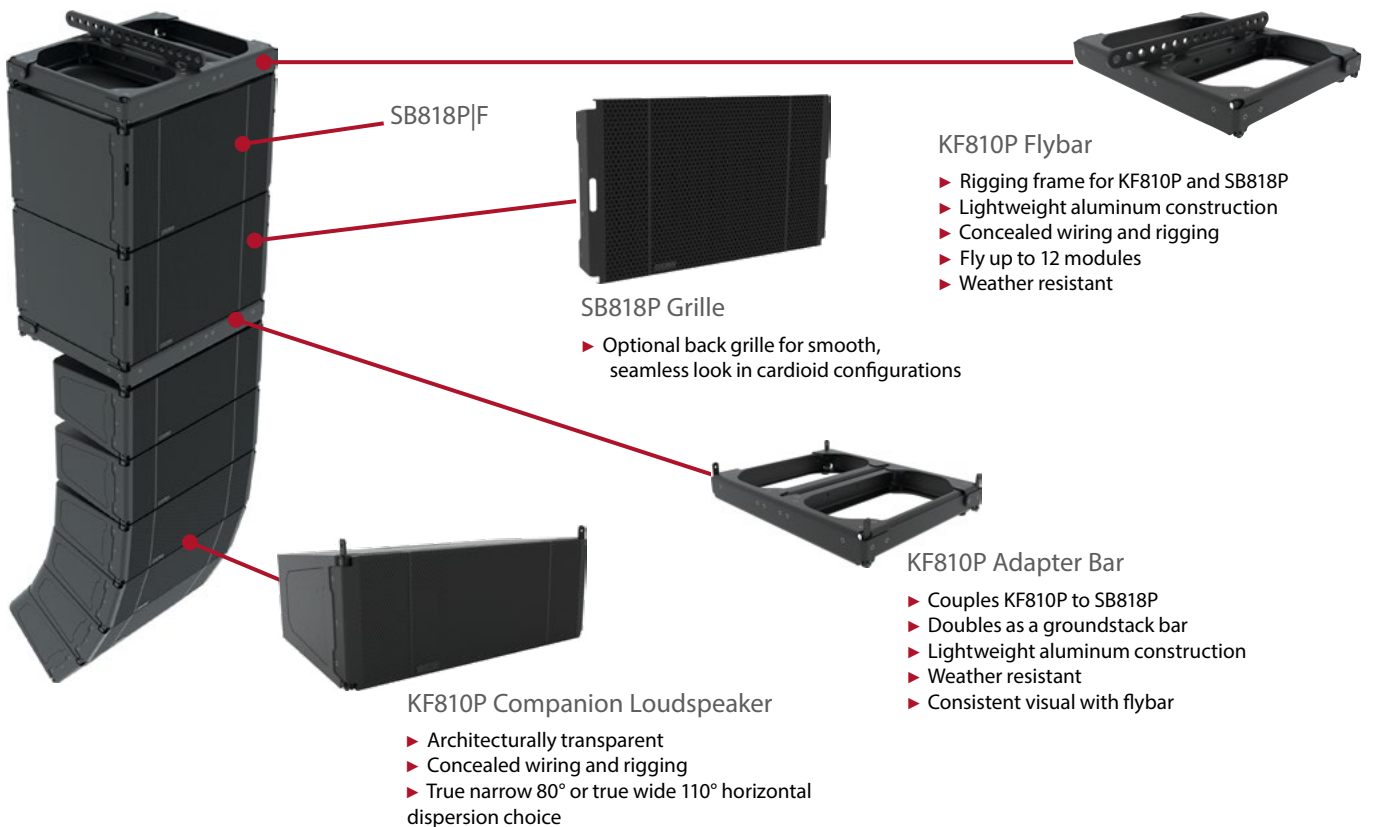
# SB818P|F Subwoofer

## RECOMMENDED AMPLIFIER CONFIGURATION FOR SB818P|F



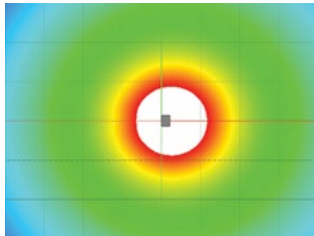
| MODEL   | PER CHANNEL     | PER AMPLIFIER |
|---------|-----------------|---------------|
| UXA4810 | Not Recommended |               |
| UXA4406 | 1               | 4             |
| UXA4410 | 2               | 8             |

## RIGGING CONFIGURATION



## CARDIOID CONFIGURATIONS

Omni

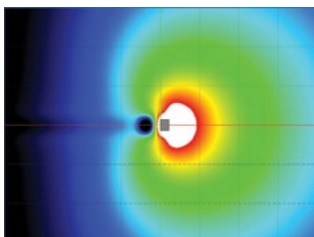


1 octave at 63Hz

Cardioid



\*shown without optional back grille



1 octave at 63Hz

## TECHNICAL SPECIFICATIONS

### SINGLE DRIVER 18IN SUBWOOFER

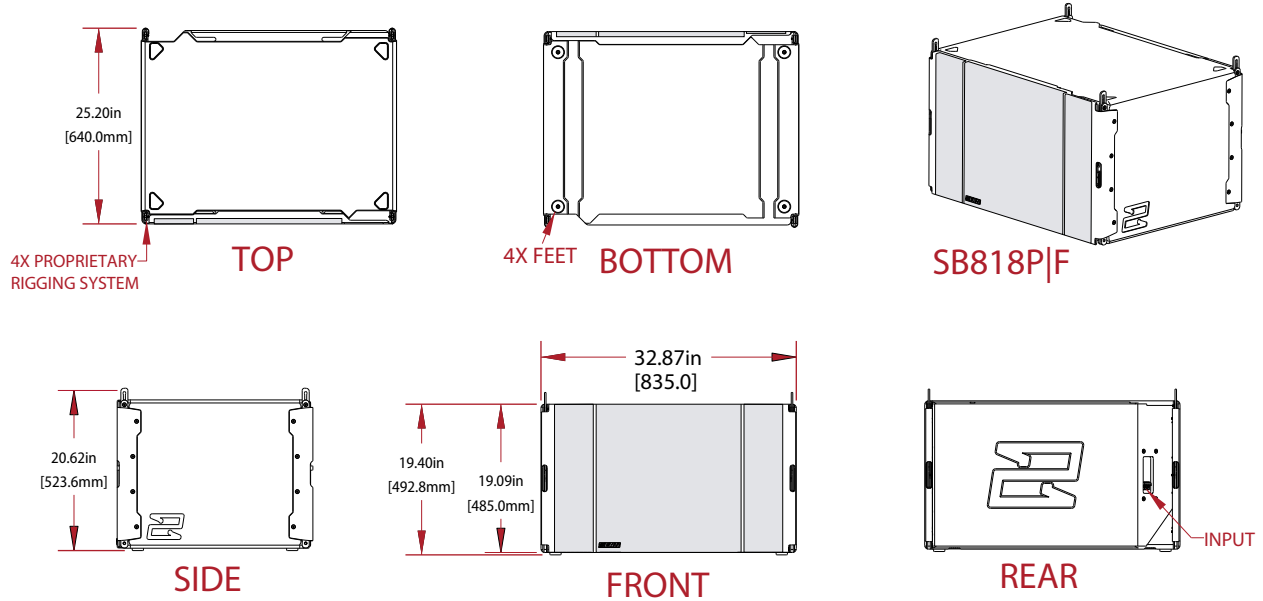
| PERFORMANCE                     |   |                            |
|---------------------------------|---|----------------------------|
| Max SPL <sup>1</sup>            | 137dB                                     |                            |
| Operating Range <sup>2</sup>    | 32Hz-124Hz                                |                            |
| Nominal Beamwidth <sup>3</sup>  | Horizontal 360°                           | Vertical 360°              |
| RMS Power Handling <sup>4</sup> | 1800W                                     |                            |
| Input Impedance LF <sup>5</sup> | 8Ω  |                            |
| CONFIGURATION                   |   |                            |
| Subsystem LF                    | Transducer                                | Loading                    |
|                                 | 1x18in, 5.3in Voice Coil                  | Vented                     |
| Operating Mode                  | Amplifier Channels                        | External Signal Processing |
| Single-amp                      | 1   | EAW DSP                    |
| PHYSICAL                        |   |                            |
| Physical/Rigging                | 4-Point Integrated Rigging                |                            |
| Dimensions (H×W×D)              | 19.4 x 32.9 x 25.2in (493 × 835 × 640mm)  |                            |
| Net Weight                      | 114lbs (51.8kg)                           |                            |
| Shipping Weight                 | 125lbs (57kg)                             |                            |
| Flyware                         | KF810P FLYBAR/ADAPTERBAR - SEE RESOLUTION |                            |
| Connector Type                  | Pluggable terminal block connector        |                            |
| ORDERING DATA                   |   |                            |
| Part Numbers:                   | Black                                     | White                      |
| SB818P F                        | 2070134-90                                | 2070180-90                 |
| Accessories                     |   |                            |
| SB818P GRILLE                   | 2070346-90                                | 2070347-90                 |
| KF810P FLYBAR                   | 2070266-90                                | 2070328-90                 |
| KF810P ADAPTER                  | 2070352-90                                | 2070360-90                 |
| KF810P 80                       | 2070007-90                                | 2070132-90                 |
| KF810P 110                      | 2070120-90                                | 2070131-90                 |

### NOTES

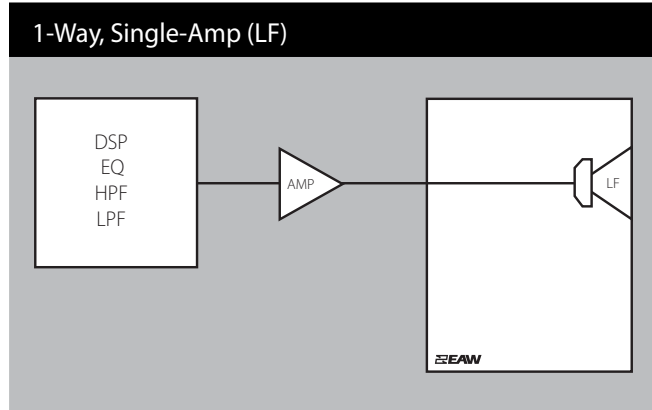
- 1 Calculated max SPL at 1m with 4:1 (12dB) crest factor pink noise. Specified as whole space (free field) for full range loudspeakers, half space for subwoofers.
- 2 Operating Range: Range where the processed Frequency Response stays within -10 dB SPL of the power averaged SPL within this range; measured on the geometric axis. Narrow band dips are excepted.
- 3 Nominal Beamwidth: Design angle for the -6 dB SPL points, referenced to 0 dB SPL as the highest level.
- 4 Accelerated Life Test: Maximum test input voltage applied with an EIA-426B defined spectrum; measured with recommended signal processing and Recommended Protection Filter.
- 5 Nominal Impedance: Selected 4, 8, or 16 ohm resistance such that the minimum impedance point is no more than 20% below this resistance over the Operating Range.

# SB818P|F Subwoofer

## DETAILED DIMENSIONS



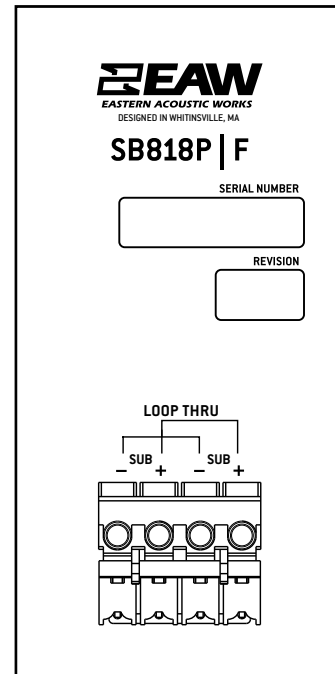
## SIGNAL DIAGRAM



### Signal Diagram Abbreviations & Definitions

|                 |  |
|-----------------|--|
| <b>DSP</b>      | User-supplied Digital Signal Processor                       |
| <b>HPF</b>      | High Pass Filter for crossover or specified High Pass Filter |
| <b>LPF</b>      | Low Pass Filter for crossover                                |
| <b>LF/MF/HF</b> | Low Frequency / Mid Frequency / High Frequency               |
| <b>AMP</b>      | User Supplied Power Amplifier                                |
| <b>XVR</b>      | Passive LPFs, HPFs, and EQ integral to the loudspeaker       |

## INPUT PANEL



One Main Street  
Whitinsville, MA 01588  
Tel 800 992 5013 / +1 508 234 6158

[www.eaw.com](http://www.eaw.com)

