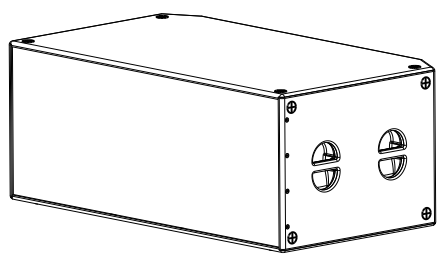
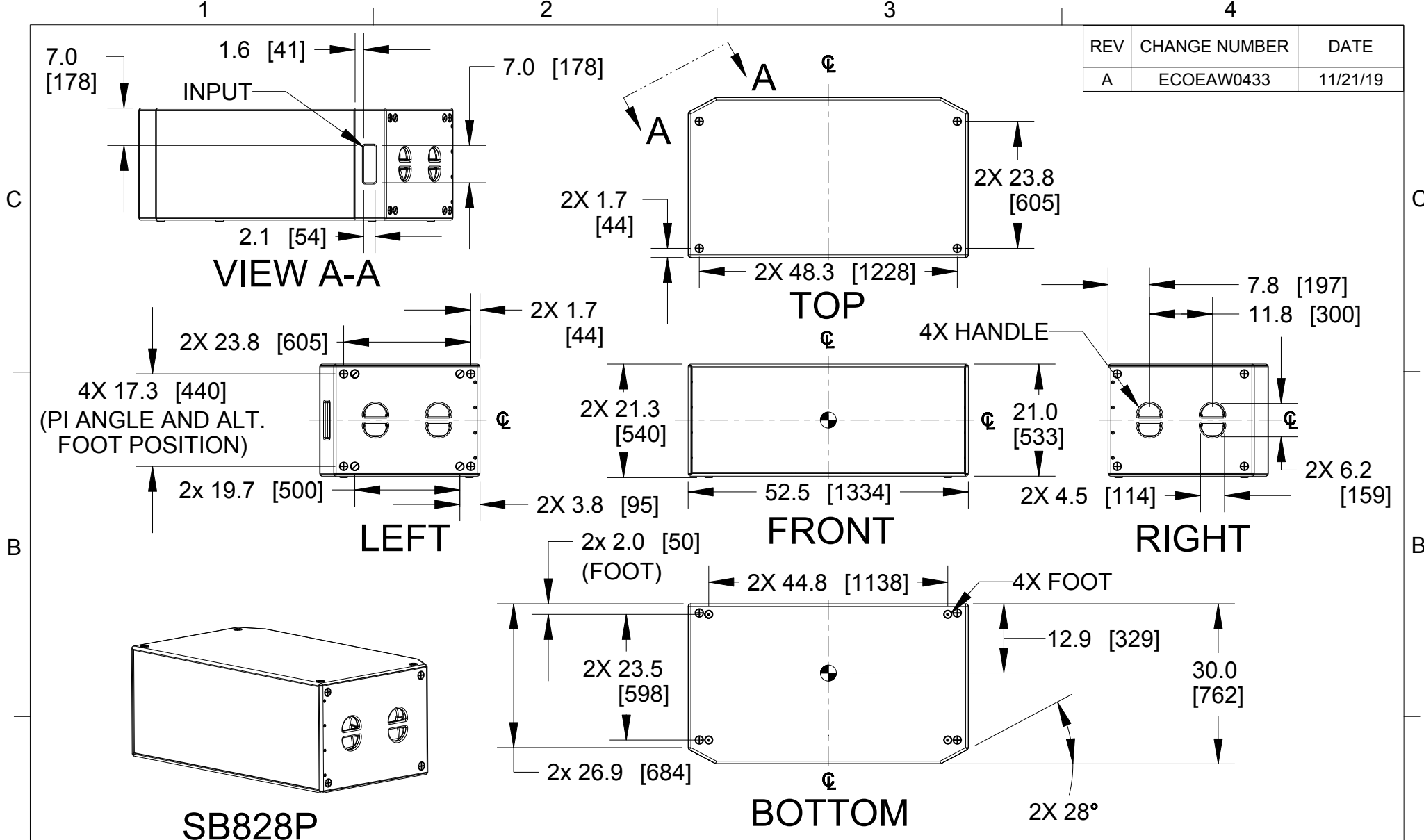


REV	CHANGE NUMBER	DATE
A	ECOEAW0433	11/21/19



SB828P

- NOTES:**
1. SYMBOL ⊕ INDICATES MOUNTING POINT, M10 THREADED HOLE (PI ANGLE).
 2. SYMBOL ● INDICATES CENTER OF BALANCE.
 3. SYMBOL ⊙ INDICATES FOOT POSITION.
 4. SYMBOL ⊘ INDICATES ALTERNATE FOOT POSITION.
 3. WEIGHT APPROXIMATELY 200 lb [90.7 kg].
 4. SHIPPING WEIGHT APPROXIMATELY 215 lb [97.5 kg].

<p>THIRD ANGLE PROJECTION</p>	<p>UNLESS OTHERWISE SPECIFIED: ALL DIMENSIONS ARE IN INCHES DUAL [MM] DIMENSIONS FOR REF ONLY</p> <p>TOLERANCE IN INCHES LINEAR ± 0.13 in / ± 3.3 mm ANGLES ± 1°</p> <p>(X.XX) = REF DIMS NO TOLERANCE IMPLIED</p> <p>TSC = THEORETICAL SHARP CORNER</p> <p>DIMENSIONS ACROSS CENTERLINES TO BE SYMMETRICAL</p>	<p>EAW www.eaw.com</p>	
		<p>TITLE: DWG CUSTOMER SB828P [MECHANICAL SPECIFICATION]</p>	
<p>THE INFORMATION CONTAINED HEREIN IS PROPRIETARY AND CONFIDENTIAL PROPERTY OF EAW ALL RIGHTS RESERVED</p>	<p>A</p>	<p>SHEET 1 OF 1</p>	<p>SCALE: 0.040</p>
	<p>DRAWING NUMBER: 2070639-CD</p>		<p>REVISION: A</p>