



SMS3

Compact Two-Way Loudspeaker

SMS3 — COMPACT TWO-WAY LOUDSPEAKER

Compact design and a wealth of mounting options make the EAW Commercial SMS3 (black) and SMS3W (white) compact 2-way loudspeakers ideal for use in business music systems.

The woofer is a high-excursion, carbon fiber design. The mylar dome tweeter is mounted on a constant directivity horn to provide natural, smooth sound reproduction and high resistance to weather.

Installation of the SMS3 is fast and efficient using the accompanying adjustable wall-mounting bracket. Four M6 threaded inserts add to the speaker's flexibility. Connections are made to recessed color-coded, spring-loaded terminals. Wattage taps, voltage adjustments, and 4-ohm operation are selectable by means of two detented rotary switches. The enclosure is constructed of high density, scratch resistant polystyrene and includes a protective perforated steel grille and connection cover. Available in black (SMS3) or white (SMS3W).

The SMS3 is a part of EAW Commercial's SMS Series Surface Mount Speakers, which includes two-way constant directivity, compact speakers in easily installed enclosures.

FEATURES

- .. 4.75" high-efficiency carbon fiber woofer
- .. 0.5" mylar dome tweeter loaded by a 110° x 100° constant directivity horn
- .. Built-in multi-tap constant voltage transformer for 25V, 50V, 70V, and 100V distributed systems
- .. Bypass mode for low-impedance operation into 4 ohms
- .. Built-in low-inductance passive crossover
- .. Lightweight, UV/weather resistant, high density polystyrene, trapezoidal shaped enclosure for multiple applications and minimum visual intrusion
- .. Integrated mounting points for use with optional mounting hardware
- .. Articulated wall-mount support bracket included



APPLICATIONS

- .. *Meeting Rooms*
- .. *Hotels*
- .. *Houses of Worship*
- .. *BoardRooms*
- .. *Courtrooms*
- .. *Multizone Paging/Music Systems*
- .. *Multi-Purpose Facilities*



SMS3

Compact Two-Way Loudspeaker

SPECIFICATIONS

SYSTEM

Freq. Range (-10 dB):	100 Hz-20 kHz
Freq. Response (-3 dB):	150 Hz-20 kHz
Horz. Coverage Angle (-6 dB):	100° averaged 800 Hz to 16 kHz
Vert. Coverage Angle (-6 dB):	110° averaged 800 Hz to 16 kHz
System Sensitivity ¹ :	88 dB, 1W @ 1m
Rated Maximum SPL:	105 dB, @ 1m
System Nominal Impedance:	4Ω (bypassed)
System Input Power Rating ²	
Applicable Power:	30W rms (bypassed)
Musical Power:	60W rms (0.5 sec ON, 0.5 sec OFF, bypassed)
Peak Power:	90W rms (30W rms + 4.5 dB crest factor, bypassed)
Constant Voltage:	25V, 50V, 70V, 100V
Power Taps:	1W, 2.5W, 5W, 10W, 20W
Crossover:	3.0 kHz

TRANSDUCERS

Low-Frequency:	4.75 in/120 mm carbon fiber woofer
High-Frequency:	0.5 in/13 mm mylar dome tweeter

PHYSICAL

Enclosure:	45° back angles, high density polystyrene
Attachment Inserts:	2 points M6 threaded on back 2 points M6 threaded on top and bottom
Mounting Hardware:	Adjustable wall-mount support bracket
Color:	Matte black (SMS3), White (SMS3W), scratch resistant paint
Grille:	Matching perforated steel grille
Input Connectors:	Spring-loaded terminals
Dimensions (HxWxD):	8.50 in/216 mm x 6.06 in/154 mm x 5.35 in/136 mm
Net Weight:	4.9 lb/2.2 kg

¹ Measured on axis in the far field with 1 watt (2.00 V rms @ 4 ohms) input and referenced to 1 meter distance using the inverse square law. Listed sound pressure represents an average from 300 Hz to 3 kHz.

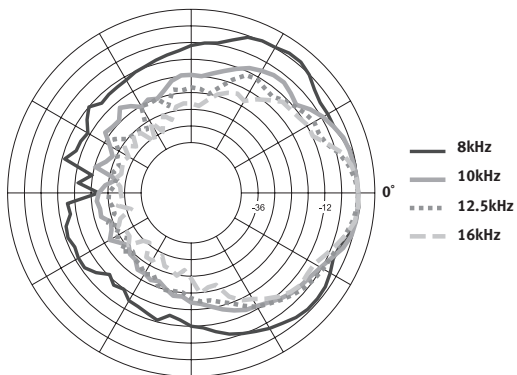
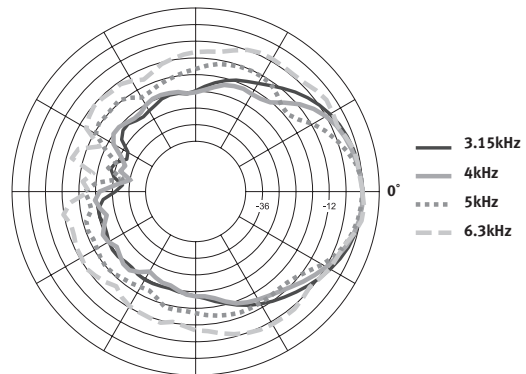
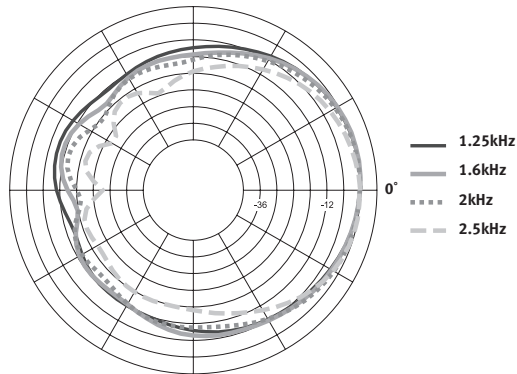
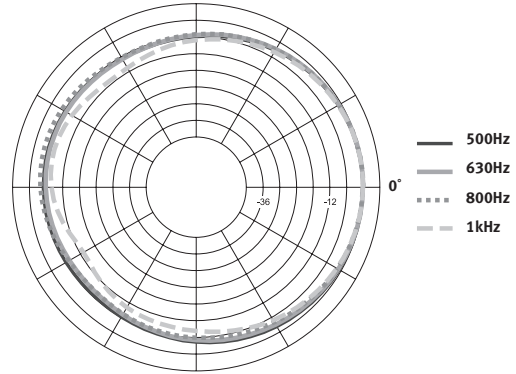
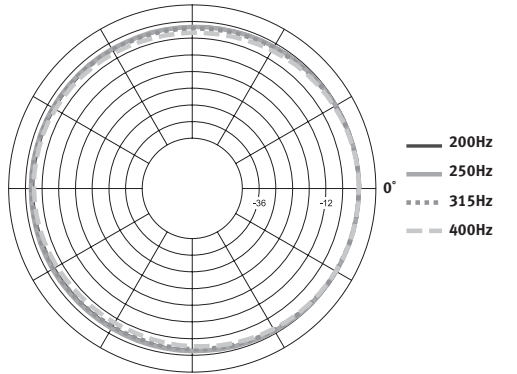
² The specifications provide three power values, which are determined by submitting the speaker to a series of laboratory tests lasting two hours each. In the test for **Applicable Power**, pink noise is applied in the operating range of the speaker, and the signal is filtered at the ends of the band with a 12 dB/octave slope. The applicable power value indicated is an rms value. The signal peaks present in the pink noise, adjusted according to the type of speaker being tested (e.g., +4.5 dB with respect to the average level), are used for determining the **Peak Power** value. To identify the **Musical Power**, the rms power value obtained in the first test is doubled, applying it with impulses lasting 0.5 seconds (0.5 sec ON), and at an interval of 0.5 second between one application and the next (0.5 sec OFF). For all the tests, the maximum power that the speaker can withstand without permanent damage is assumed as the power value.



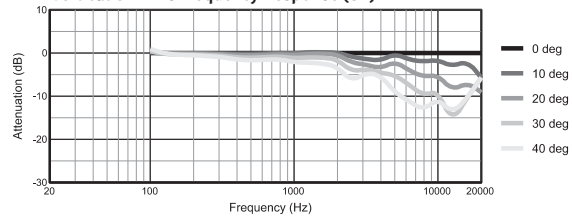
SMS3

Compact Two-Way Loudspeaker

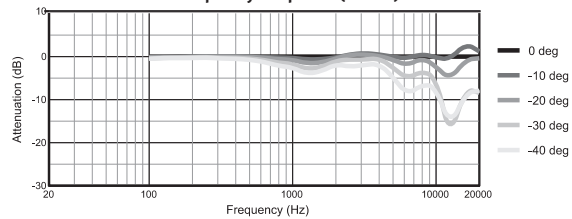
SMS3 Vertical Polars



Vertical Off-Axis Frequency Response (UP)



Vertical Off-Axis Frequency Response (DOWN)

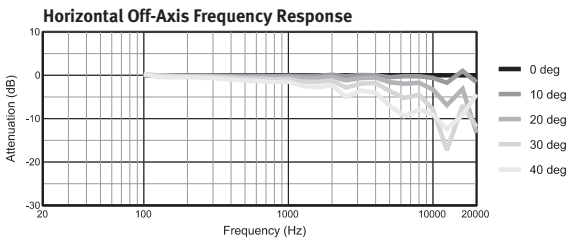
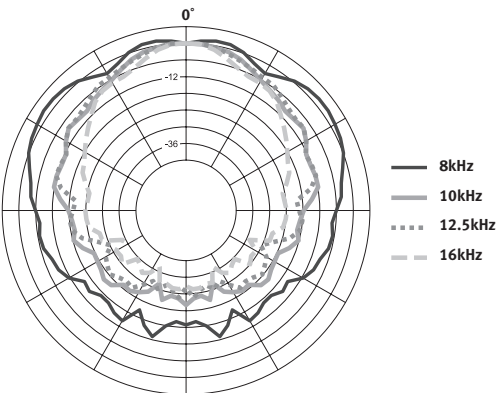
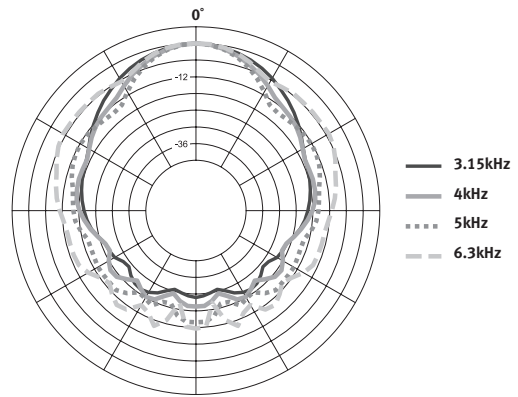
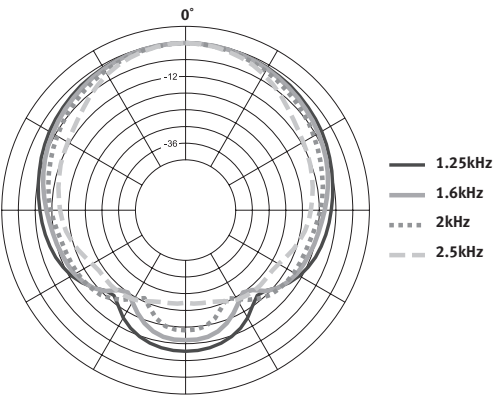
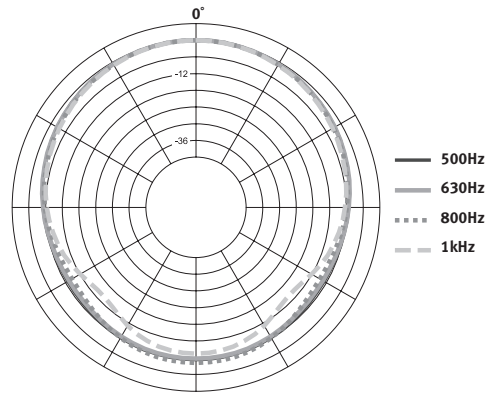
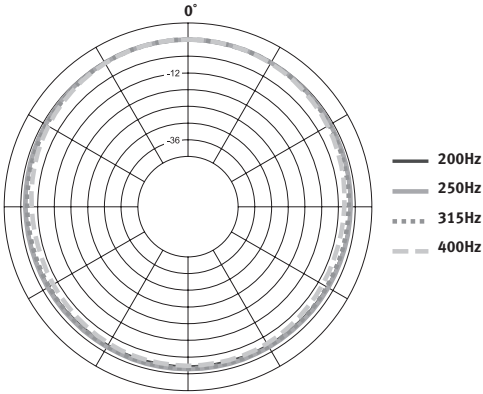




SMS3

Compact Two-Way Loudspeaker

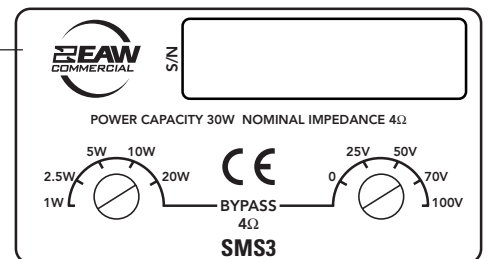
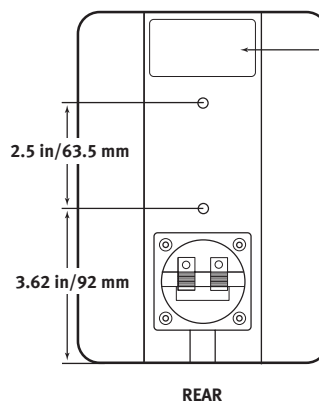
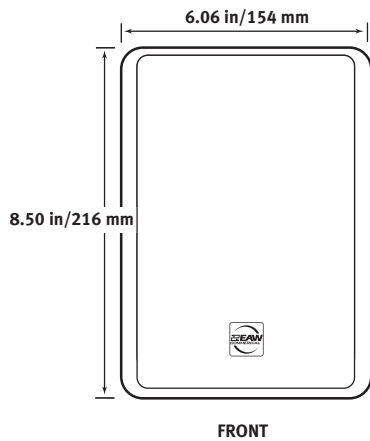
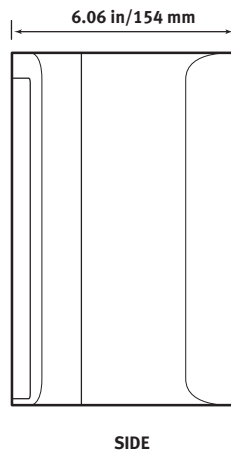
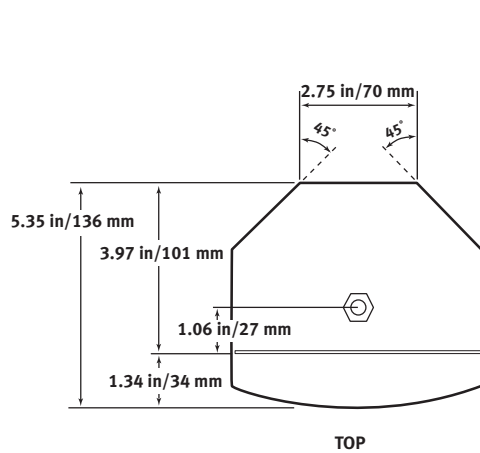
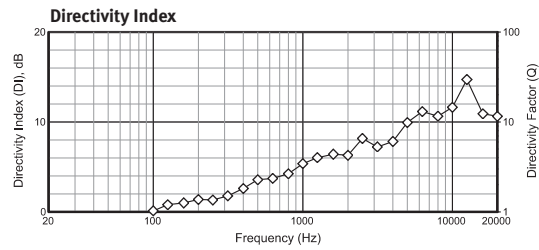
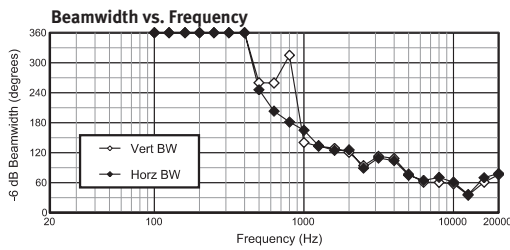
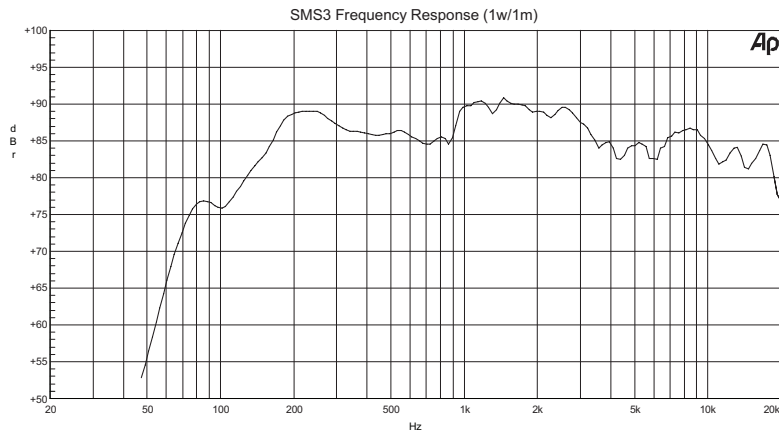
SMS3 Horizontal Polars





SMS3

Compact Two-Way Loudspeaker





SMS3

Compact Two-Way Loudspeaker

CSI PRODUCT SPECIFICATIONS FOR DESIGNERS, SPECIFIERS, AND CONSULTANTS (ALSO KNOWN AS "A&E SPECIFICATIONS")

The following are "Part 2 Products" CSI-type specifications. It is assumed that "Part 1 General – Administrative and Procedures" and "Part 3 Execution – Installation and Maintenance" are part of an overall audio system or project specification.

PART 2 PRODUCTS

- 2.01 Approved Manufacturer/Product
 - A. EAW Commercial, One Main Street, Whitinsville, WM 01588 USA
 - B. Model number: SMS3
- 2.02 Design
 - A. Configuration: Compact 2-Way Speaker
 - B. LF Sub-section: 4.75 in. carbon fiber cone low-frequency driver
 - C. HF Sub-section: 0.5 in. mylar dome high-frequency driver
- 2.03 Acoustical Properties
 - A. Nominal Dispersion Angle (–6 dB points)
 - 1. Horizontal: 100° averaged 800 Hz to 16 kHz
 - 2. Vertical: 110° averaged 800 Hz to 16 kHz
 - B. Axial Frequency Response (–3 dB points):
150 Hz – 20 kHz
 - C. Axial Frequency Range (–10 dB points):
100 Hz – 20 kHz
 - D. Axial Sensitivity (dB SPL/1 W @ 1 m):
88 dB
 - E. Power Handling
 - 1. Applicable Power: 30 W rms
 - 2. Musical Power: 60 W rms
 - 3. Peak Power: 90 W rms
 - F. Power Taps: 1, 5, 10, 20, 30 watts, and Bypass
 - G. Constant Voltage Taps:
25, 50, 70, 100 volts, and Bypass
 - F. Nominal Impedance:
4 ohms (bypassed)
- 2.04 Physical Properties
 - A. Enclosure Shape: Trapezoidal
 - B. Enclosure Material: High-density polystyrene
 - C. Enclosure Finish: Matte black (SMS3) or white (SMS3W), scratch resistant paint
 - D. Connectors: Spring-loaded terminals
 - E. Mounting/Suspension Hardware:
Four M6 threaded inserts, two on back, one on top, and one on bottom
 - F. Grille: Matching perforated steel grille
 - G. Dimensions
 - 1. Height: 8.50 in/216 mm
 - 2. Width: 6.06 in/154 mm
 - 3. Depth: 5.35 in/136 mm
 - H. Weight
 - 1. Net Weight: 4.9 lb/2.2 kg

LOUD Technologies Inc. continually engages in research related to product improvement. New material, production methods, and design refinements are introduced into existing products without notice as a routine expression of that philosophy. For this reason, any current EAW Commercial and LOUD Technologies product may differ in some respect from its published description, but will always equal or exceed the original design specifications unless otherwise stated.
©1999–2004 LOUD Technologies Inc. All rights reserved.
EAW Commercial is a registered trademark of LOUD Technologies Inc.

Part No. 0008138 Rev B 07/04