

1	2	3	4		
A (Long Wall Plate)	A (Short Wall Plate)	B	REV	CHANGE NUMBER	DATE
10.83 [275.0] to 11.30 [287.0] 12.87 [327.0] to 13.35 [339.0] 16.91 [429.4] to 18.54 [471.0] 21.25 [539.7] to 22.89 [581.3] 25.59 [650.0] to 26.06 [662.0]	10.83 [275.0] to 11.30 [287.0] 12.87 [327.0] to 13.35 [339.0] 16.91 [429.4] to 18.54 [471.0]	13.39 [340.0] 13.98 [355.0] to 14.76 [375.0] 15.55 [395.0] to 16.34 [415.0] 17.13 [435.0] to 17.91 [455.0] 18.70 [475.0] to 19.49 [495.0]	A	ECOWHT7313	2/17/11

C

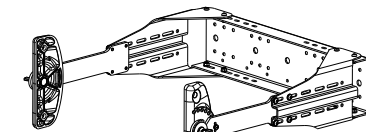
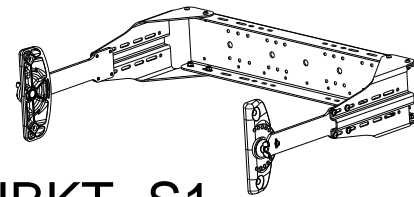
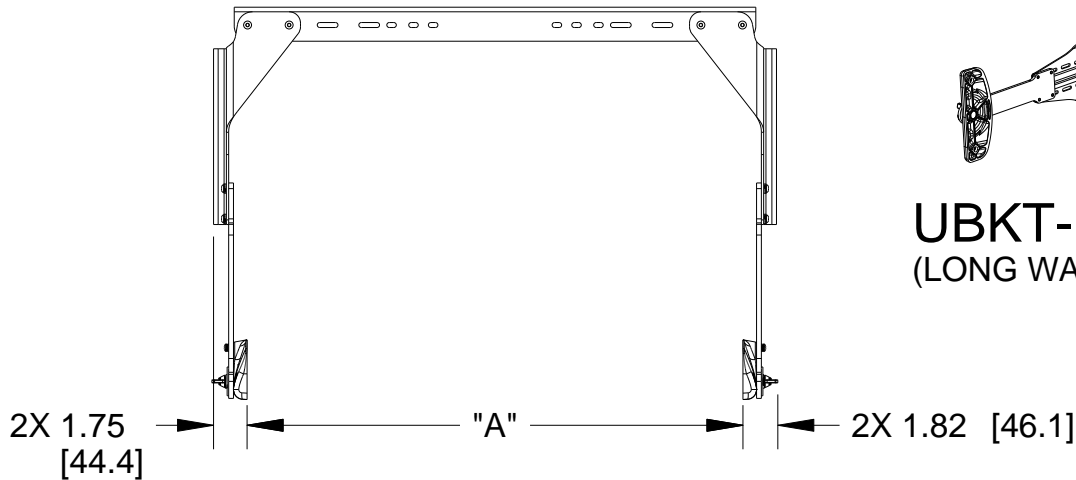
C

B

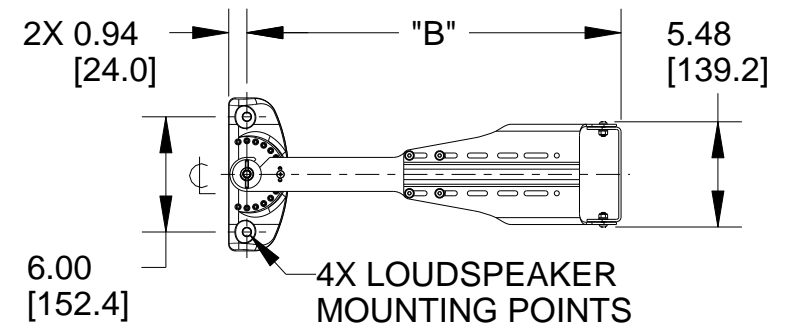
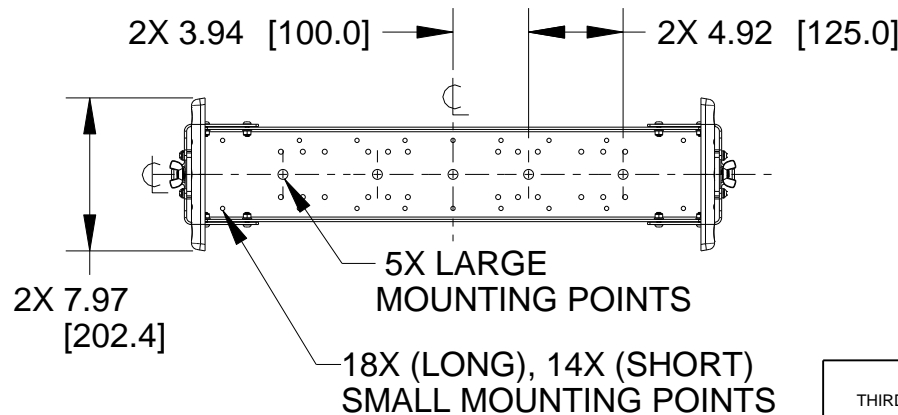
B

A

A



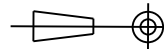
**UBKT- S1**  
(SHORT WALL PLATE)



**NOTES:**

1. WEIGHT APPROX:
  - a. WITH LONG WALL PLATE, 16.0 lb [7.3 kg]
  - b. WITH SHORT WALL PLATE, 14.2 lb [6.4 kg]
2. SHIPPING WEIGHT APPROX. 27.8 lb [12.6 kg]
3. WEIGHT LOAD LIMIT, 80.0 lb [36 kg]

THIRD ANGLE PROJECTION



THE INFORMATION CONTAINED  
HEREIN IS PROPRIETARY AND  
CONFIDENTIAL PROPERTY OF  
LOUD TECHNOLOGIES, INC.  
ALL RIGHTS RESERVED

UNLESS OTHERWISE SPECIFIED:  
ALL DIMENSIONS ARE IN INCHES  
DUAL [MM] DIMENSIONS  
FOR REF ONLY

TOLERANCE IN INCHES  
LINEAR  $\pm 0.13$  in /  $\pm 3.3$  mm  
ANGLES  $\pm 1^\circ$

(X.XX) = REF DIMS  
NO TOLERANCE IMPLIED

TSC = THEORETICAL SHARP CORNER  
DIMENSIONS ACROSS CENTERLINES  
TO BE SYMMETRICAL

**EAW** www.eaw.com

TITLE: **DWG CUSTOMER  
UBKT-S1  
[MECHANICAL SPECIFICATION]**

**A** SHEET 1 OF 1 SCALE: 0.100

DRAWING NUMBER: 2035474-CD REVISION: A

1

2

3

4

PRO ENGINEER