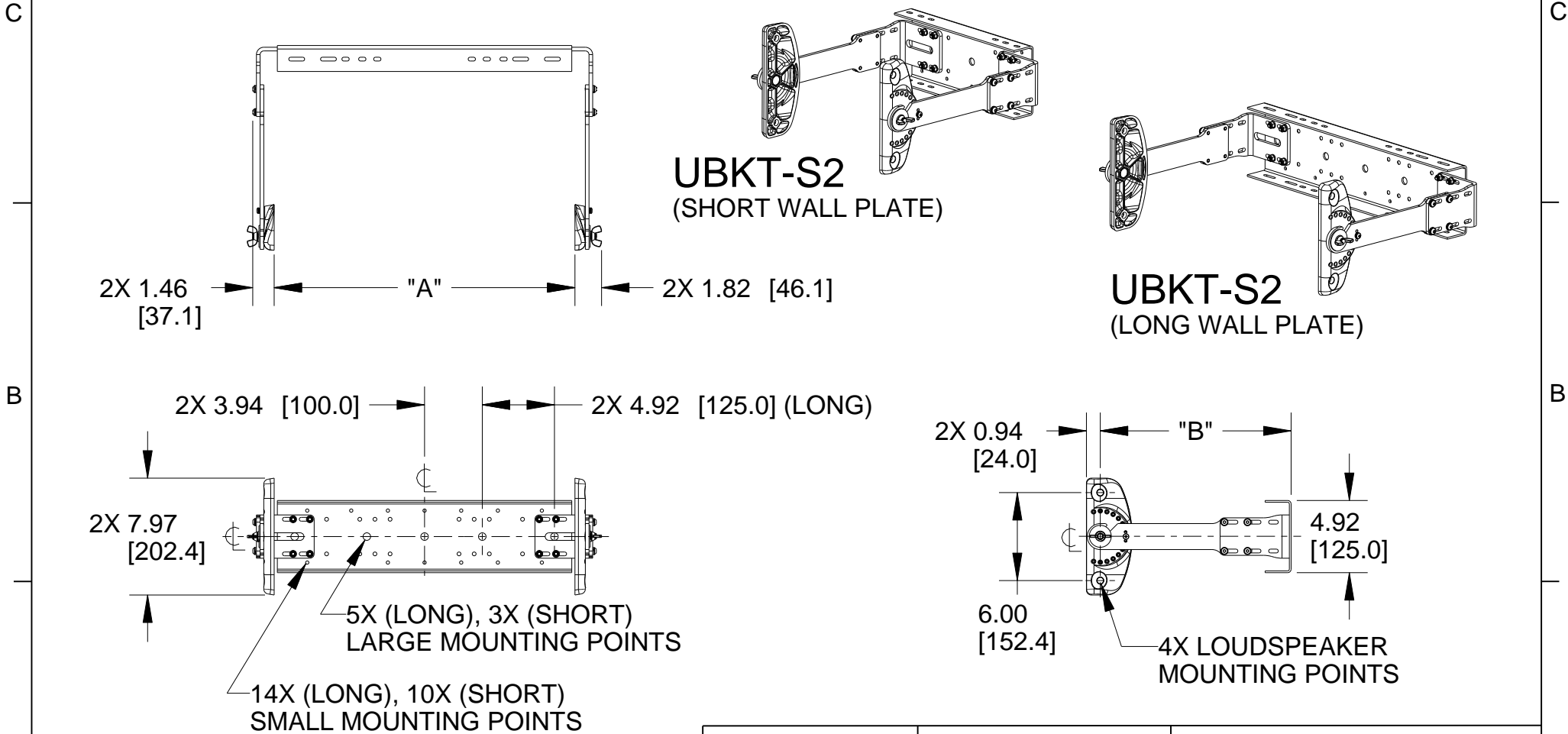


1	2	3	4	
A (Long Wall Plate)	A (Short Wall Plate)	B	REV	CHANGE NUMBER
8.39 [213.0] to 9.33 [237.0] 10.45 [265.5] to 11.42 [290.0] 17.05 [433.0] to 18.23 [463.0] 19.33 [491.0] to 20.51 [521.0]	8.39 [213.0] to 9.33 [237.0] 10.45 [265.5] to 11.42 [290.0]	11.04 [280.5] to 11.44 [290.5] 12.23 [310.5] to 13.01 [330.5]	A	ECOWHT7313
			DATE	2/17/11



**NOTES:**

1. WEIGHT APPROX:
  - a. WITH LONG WALL PLATE, 12.2 lb [5.5 kg]
  - b. WITH SHORT WALL PLATE, 10.2 lb [4.6 kg]
2. SHIPPING WEIGHT APPROX. 21.8 lb [9.9 kg]
3. WEIGHT LOAD LIMIT, 45.0 lb [20 kg]

THIRD ANGLE PROJECTION 	UNLESS OTHERWISE SPECIFIED: ALL DIMENSIONS ARE IN INCHES DUAL [MM] DIMENSIONS FOR REF ONLY  TOLERANCE IN INCHES LINEAR ± 0.13 in / ± 3.3 mm ANGLES ± 1°  (X.XX) = REF DIMS NO TOLERANCE IMPLIED  TSC = THEORETICAL SHARP CORNER  DIMENSIONS ACROSS CENTERLINES TO BE SYMMETRICAL	<b>EAW</b> www.eaw.com TITLE: DWG CUSTOMER UBKT-S2 <b>[MECHANICAL SPECIFICATION]</b> <table border="1" style="width: 100%;"> <tr> <td style="text-align: center;"><b>A</b></td> <td style="text-align: center;">SHEET 1 OF 1</td> <td style="text-align: center;">SCALE: 0.100</td> </tr> <tr> <td colspan="2">DRAWING NUMBER: 2035472-CD</td> <td>REVISION: A</td> </tr> </table>	<b>A</b>	SHEET 1 OF 1	SCALE: 0.100	DRAWING NUMBER: 2035472-CD		REVISION: A
<b>A</b>	SHEET 1 OF 1	SCALE: 0.100						
DRAWING NUMBER: 2035472-CD		REVISION: A						
THE INFORMATION CONTAINED HEREIN IS PROPRIETARY AND CONFIDENTIAL PROPERTY OF LOUD TECHNOLOGIES, INC. ALL RIGHTS RESERVED		PRO ENGINEER						