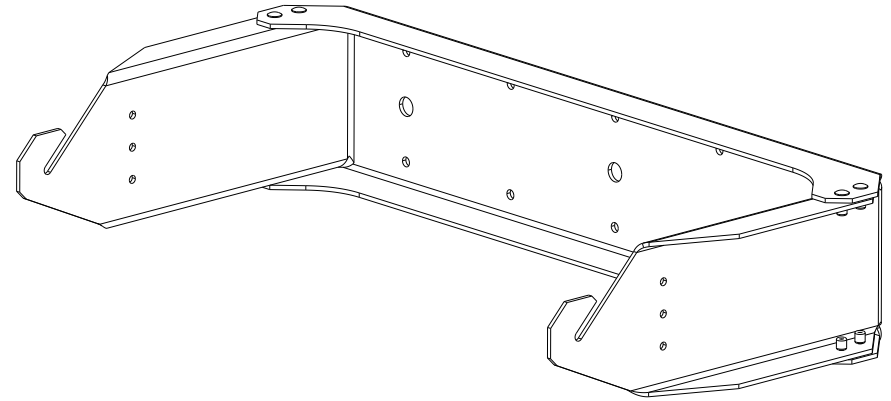


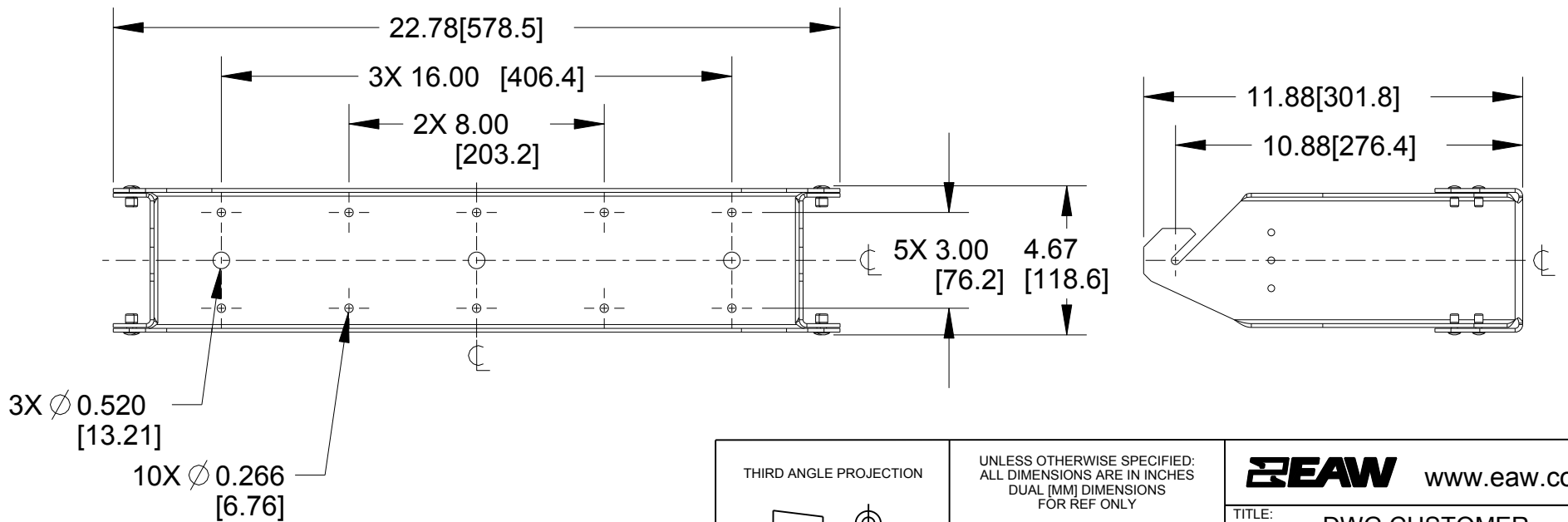
NOTES:

1. WEIGHT APPROX. 9.0 lb [4.1 kg]
2. SHIPPING WEIGHT APPROX. 12.6 lb [5.7 kg]
3. WEIGHT LOAD LIMIT: 39.0 lb [17.7 kg]

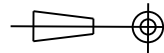
REV	CHANGE NUMBER	DATE
A	ECOWHT8743	7/3/12



UBKT-V10U



THIRD ANGLE PROJECTION



THE INFORMATION CONTAINED
HEREIN IS PROPRIETARY AND
CONFIDENTIAL PROPERTY OF
LOUD TECHNOLOGIES, INC.
ALL RIGHTS RESERVED

UNLESS OTHERWISE SPECIFIED:
ALL DIMENSIONS ARE IN INCHES
DUAL [MM] DIMENSIONS
FOR REF ONLY

TOLERANCE IN INCHES
LINEAR ± 0.13 in / ± 3.3 mm
ANGLES $\pm 1^\circ$

(X.XX) = REF DIMS
NO TOLERANCE IMPLIED

TSC = THEORETICAL SHARP CORNER

DIMENSIONS ACROSS CENTERLINES
TO BE SYMMETRICAL

EAW www.eaw.com

TITLE:
DWG CUSTOMER
UBKT-V10U U-BRACKET
[MECHANICAL SPECIFICATION]

A

SHEET 1 OF 1

SCALE:
0.200

DRAWING NUMBER:

2038756-CD

REVISION:

A

PRO ENGINEER