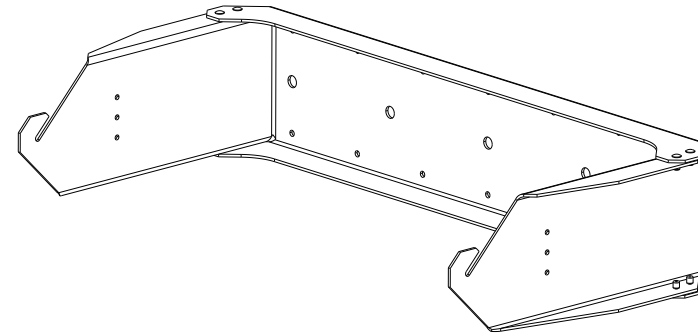


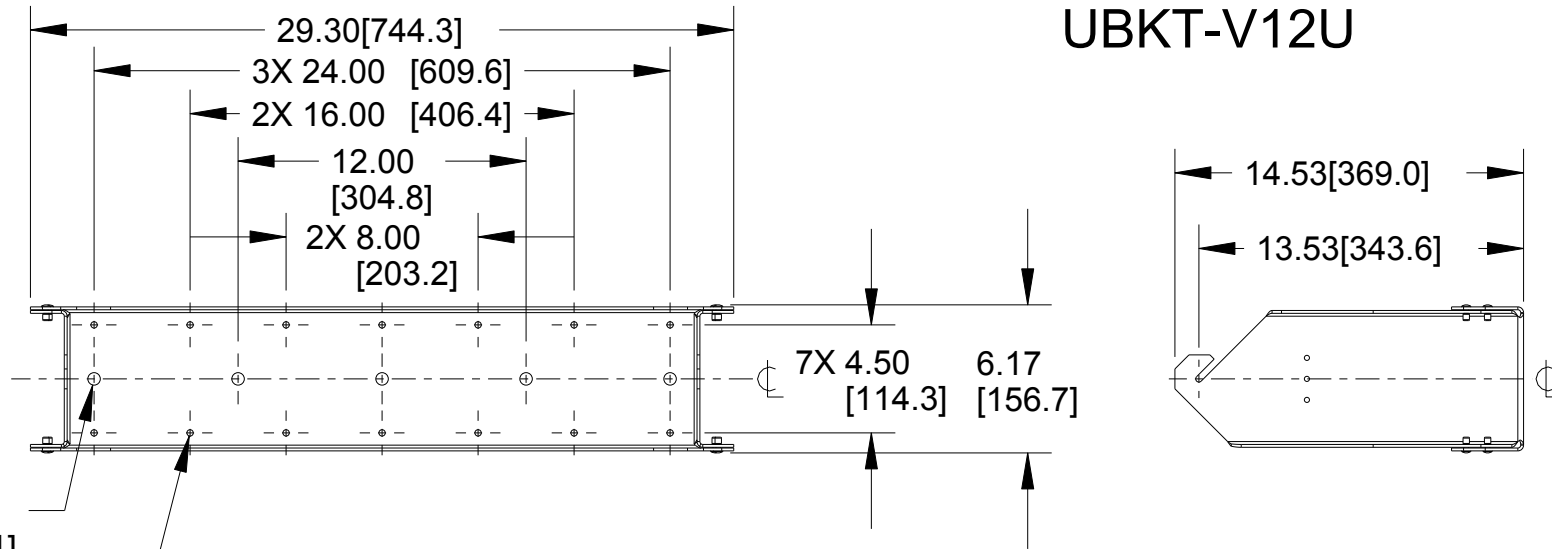
NOTES:

1. WEIGHT APPROX. 14.8 lb [6.7 kg]
2. SHIPPING WEIGHT APPROX. 20.0 lb [9.1 kg]
3. WEIGHT LOAD LIMIT: 56.0 lb [25.4 kg]

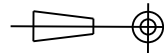
REV	CHANGE NUMBER	DATE
A	ECOWHT8743	7/2/12



UBKT-V12U



THIRD ANGLE PROJECTION



THE INFORMATION CONTAINED  
HEREIN IS PROPRIETARY AND  
CONFIDENTIAL PROPERTY OF  
LOUD TECHNOLOGIES, INC.  
ALL RIGHTS RESERVED

UNLESS OTHERWISE SPECIFIED:  
ALL DIMENSIONS ARE IN INCHES  
DUAL [MM] DIMENSIONS  
FOR REF ONLY

TOLERANCE IN INCHES  
LINEAR  $\pm 0.13$  in /  $\pm 3.3$  mm  
ANGLES  $\pm 1^\circ$

(X.XX) = REF DIMS  
NO TOLERANCE IMPLIED

TSC = THEORETICAL SHARP CORNER

DIMENSIONS ACROSS CENTERLINES  
TO BE SYMMETRICAL

**EAW** www.eaw.com

TITLE:  
DWG CUSTOMER  
UBKT-V12U U-BRACKET  
[MECHANICAL SPECIFICATION]

**A**

SHEET 1 OF 1

SCALE:  
0.125

DRAWING NUMBER:

2038746-CD

REVISION:

A

PRO ENGINEER