

1

2

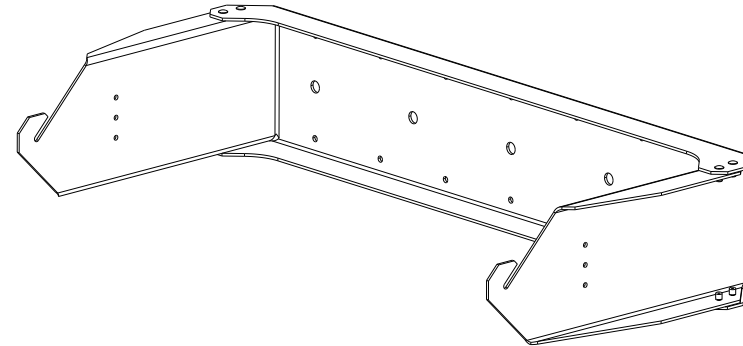
3

4

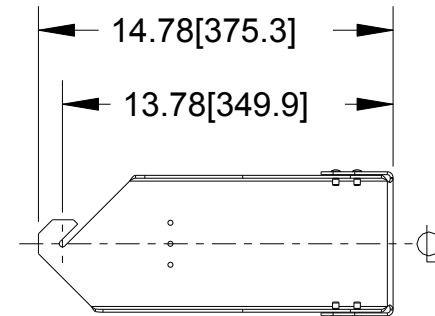
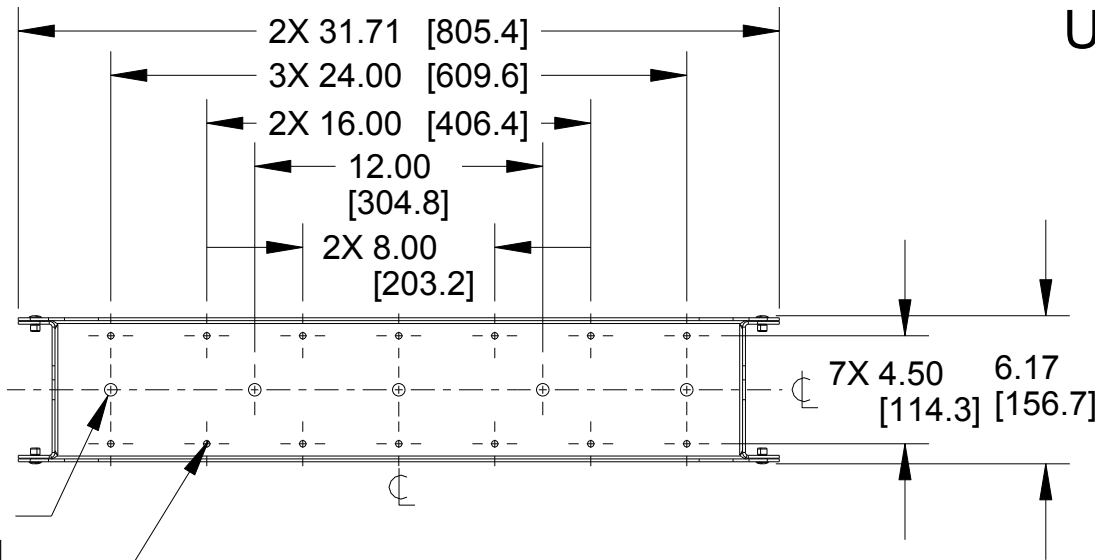
NOTES:

- 1. WEIGHT APPROX. 15.6 lb [7.1 kg]
- 2. SHIPPING WEIGHT APPROX. 20.8 lb [9.4 kg]
- 3. WEIGHT LOAD LIMIT: 60.0 lb [27.2 kg]

| REV | CHANGE NUMBER | DATE   |
|-----|---------------|--------|
| A   | ECOWHT8743    | 7/2/12 |



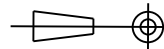
# UBKT-V15U



5X  $\phi$  0.520 [13.21]

14X  $\phi$  0.133 [3.38]

THIRD ANGLE PROJECTION



THE INFORMATION CONTAINED  
HEREIN IS PROPRIETARY AND  
CONFIDENTIAL PROPERTY OF  
LOUD TECHNOLOGIES, INC.  
ALL RIGHTS RESERVED

UNLESS OTHERWISE SPECIFIED:  
ALL DIMENSIONS ARE IN INCHES  
DUAL [MM] DIMENSIONS  
FOR REF ONLY

TOLERANCE IN INCHES  
LINEAR  $\pm 0.13$  in /  $\pm 3.3$  mm  
ANGLES  $\pm 1^\circ$

(X.XX) = REF DIMS  
NO TOLERANCE IMPLIED

TSC = THEORETICAL SHARP CORNER

DIMENSIONS ACROSS CENTERLINES  
TO BE SYMMETRICAL

**EAW** www.eaw.com

TITLE: DWG CUSTOMER  
UBKT-V15U U-BRACKET  
[MECHANICAL SPECIFICATION]

**A**

SHEET 1 OF 1

SCALE:  
0.125

DRAWING NUMBER:

2038546-CD

REVISION:

A

1

2

3

4

PRO ENGINEER