

1

2

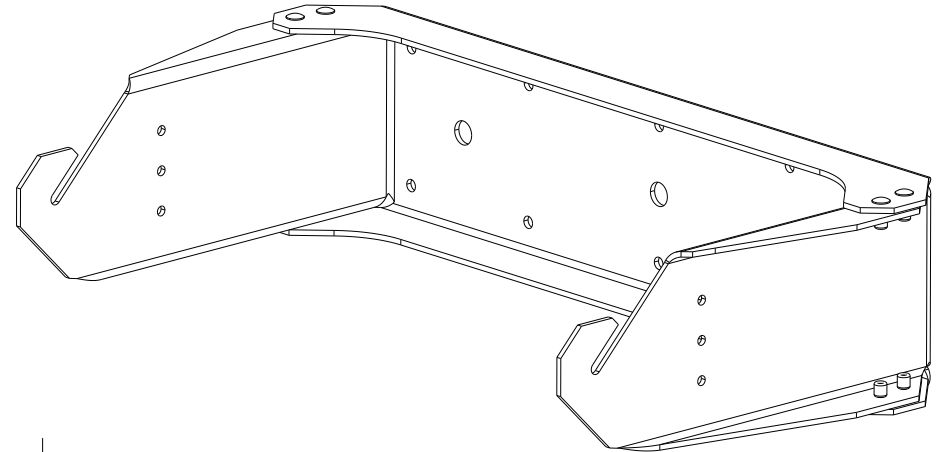
3

4

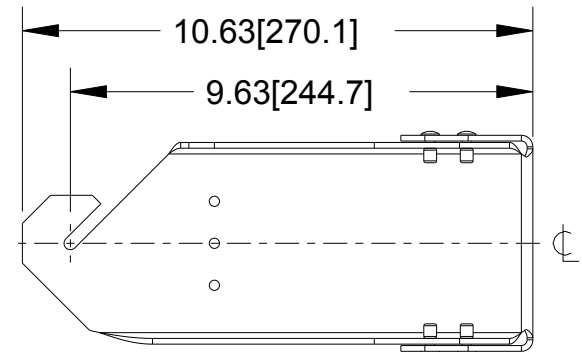
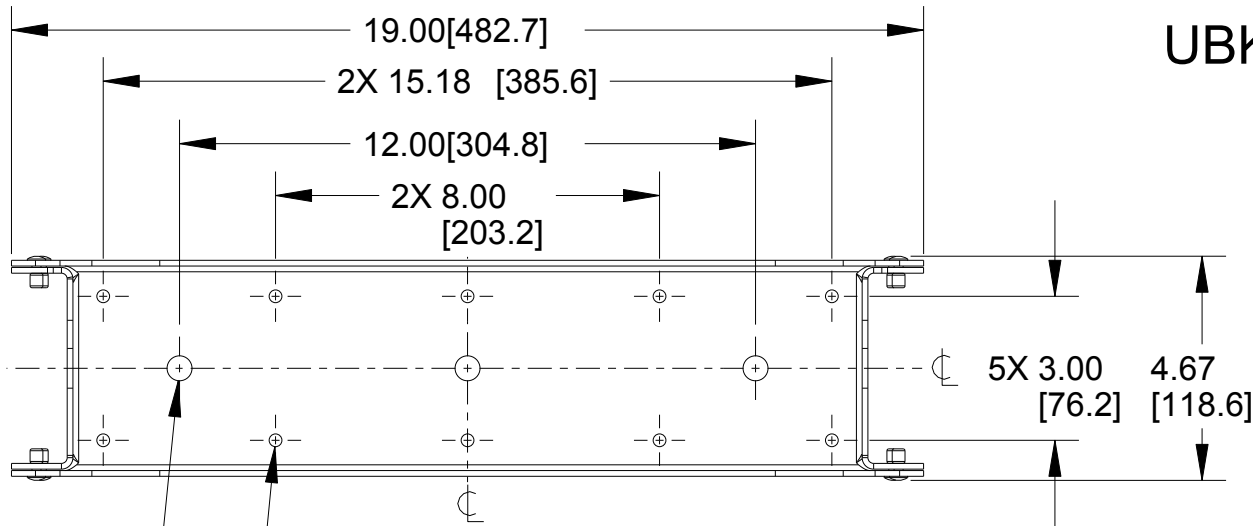
NOTES:

- 1. WEIGHT APPROX. 7.8 lb [3.5 kg]
- 2. SHIPPING WEIGHT APPROX. 11.2 lb [5.1 kg]
- 3. WEIGHT LOAD LIMIT: 23.0 lb [10.4 kg]

REV	CHANGE NUMBER	DATE
A	ECOWHT8743	7/3/12



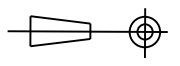
UBKT-V8U



3X  $\varnothing$  0.520 [13.21]

10X  $\varnothing$  0.266 [6.76]

THIRD ANGLE PROJECTION



THE INFORMATION CONTAINED  
HEREIN IS PROPRIETARY AND  
CONFIDENTIAL PROPERTY OF  
LOUD TECHNOLOGIES, INC.  
ALL RIGHTS RESERVED

UNLESS OTHERWISE SPECIFIED:  
ALL DIMENSIONS ARE IN INCHES  
DUAL [MM] DIMENSIONS  
FOR REF ONLY

TOLERANCE IN INCHES  
LINEAR  $\pm 0.13$  in /  $\pm 3.3$  mm  
ANGLES  $\pm 1^\circ$

(X.XX) = REF DIMS  
NO TOLERANCE IMPLIED

TSC = THEORETICAL SHARP CORNER

DIMENSIONS ACROSS CENTERLINES  
TO BE SYMMETRICAL

**EAW** www.eaw.com

TITLE:  
DWG CUSTOMER  
UBKT-V8U U-BRACKET  
[MECHANICAL SPECIFICATION]

**A**

SHEET 1 OF 1

SCALE:  
0.250

DRAWING NUMBER:  
2039250-CD

REVISION:  
A

1

2

3

4

PRO ENGINEER