

1

2

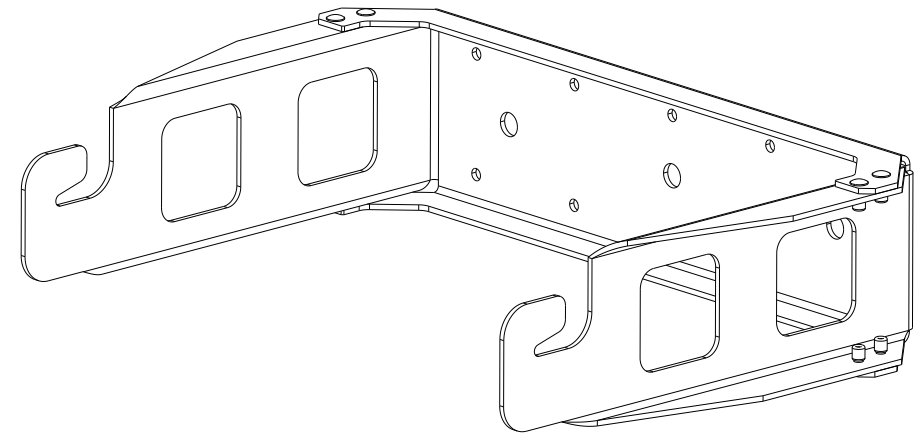
3

4

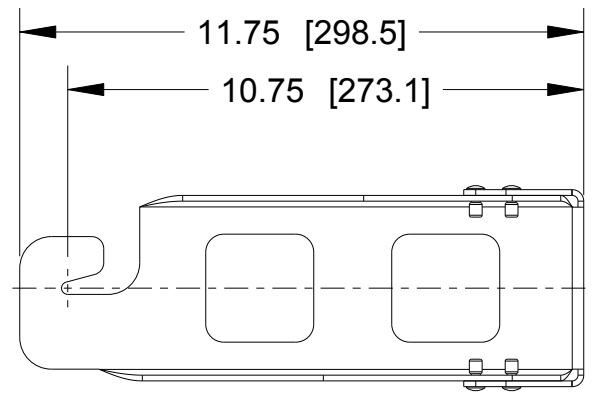
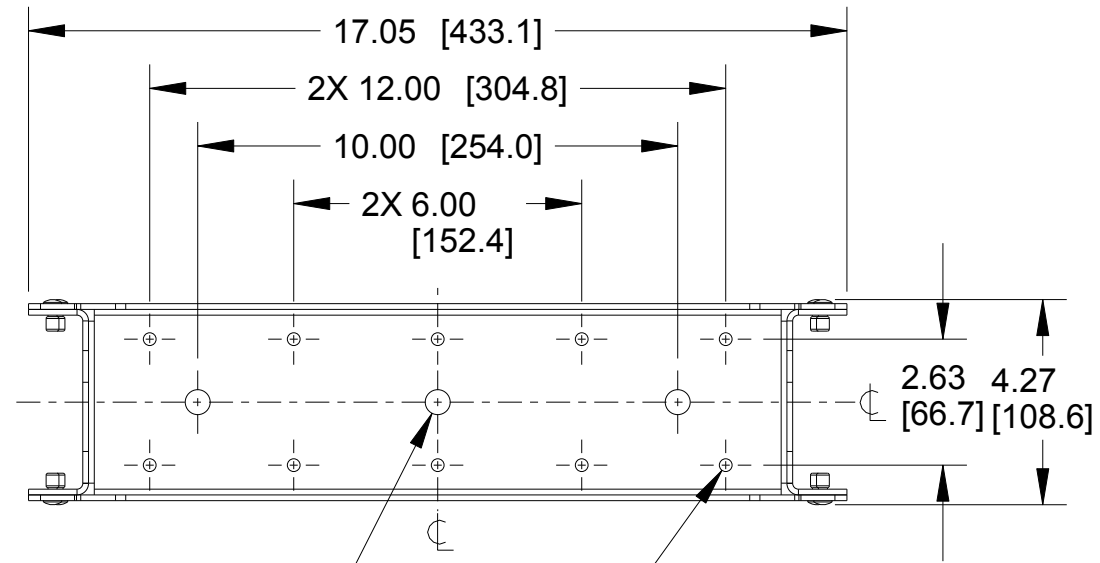
NOTES:

- 1. WEIGHT APPROX. 6 lb [3 kg]
- 2. SHIPPING WEIGHT APPROX. 11 lb [5 kg]
- 3. WEIGHT LOAD LIMIT: 47 lb [21 kg]

REV	CHANGE NUMBER	DATE
1	ECOWHT9146	1/7/13



UBKT-CL4U



C

C

B

B

A

A

<p>THIRD ANGLE PROJECTION</p>	<p>UNLESS OTHERWISE SPECIFIED: ALL DIMENSIONS ARE IN INCHES DUAL [MM] DIMENSIONS FOR REF ONLY</p> <p>TOLERANCE IN INCHES LINEAR ± 0.13 in / ± 3.3 mm ANGLES ± 1°</p> <p>(X.XX) = REF DIMS NO TOLERANCE IMPLIED</p> <p>TSC = THEORETICAL SHARP CORNER</p> <p>DIMENSIONS ACROSS CENTERLINES TO BE SYMMETRICAL</p>	<p>EAW www.eaw.com</p>	
		<p>TITLE: DWG CUSTOMER U-BRKT CLUB.four [MECHANICAL SPECIFICATION]</p>	
<p>THE INFORMATION CONTAINED HEREIN IS PROPRIETARY AND CONFIDENTIAL PROPERTY OF LOUD TECHNOLOGIES, INC. ALL RIGHTS RESERVED</p>	<p>DRAWING NUMBER: 2040545-CD</p>	<p>A SHEET 1 OF 1</p>	<p>SCALE: 0.250</p>
		<p>REVISION: A</p>	

1

2

3

4

PRO ENGINEER