

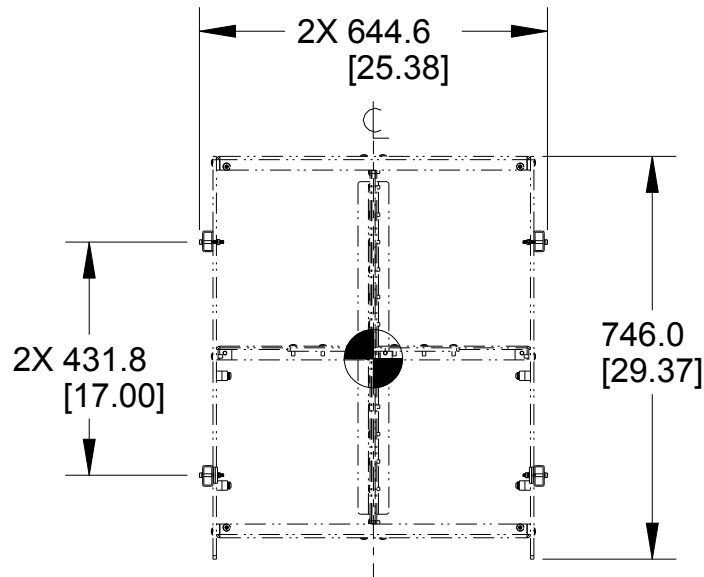
1

2


3

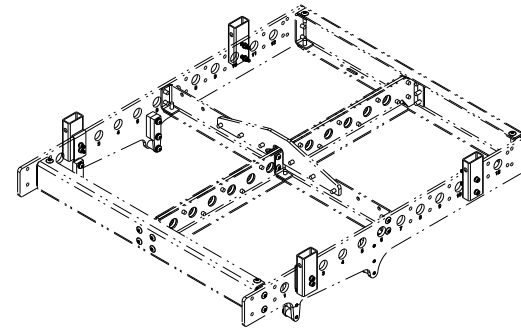
4

REV	CHANGE NUMBER	DATE
A	ECOWHT6945	10/1/10

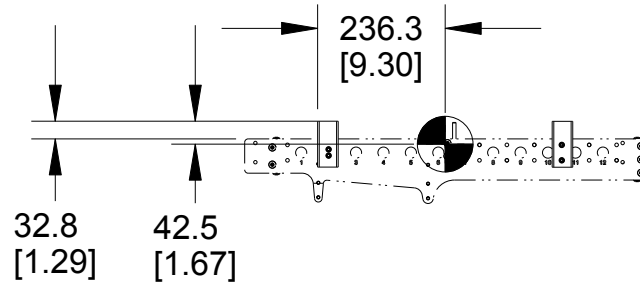
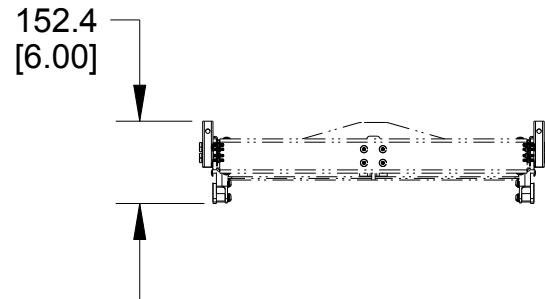


NOTES:

1. SYMBOL  INDICATES CENTER OF BALANCE.
2. WEIGHT APPROX. 2 kg [4.5 lb]
3. FLYBAR FB172 NOT INCLUDED IN ABKT2572 ADAPTER BAR KIT



ABKT2572 ADAPTER KIT



C


C

B

B

A

A

<p>THIRD ANGLE PROJECTION</p> 	<p>UNLESS OTHERWISE SPECIFIED: ALL DIMENSIONS ARE IN MILLIMETERS DUAL [INCHES] DIMENSIONS FOR REF ONLY</p> <p>TOLERANCE IN MILLIMETERS LINEAR ± 3.3 mm / ± 0.13 in ANGLES ± 1°</p> <p>(X.XX) = REF DIMS NO TOLERANCE IMPLIED</p> <p>TSC = THEORETICAL SHARP CORNER</p> <p>DIMENSIONS ACROSS CENTERLINES TO BE SYMMETRICAL</p>	<p>EAW www.eaw.com</p>	
		<p>TITLE: DWG CUSTOMER KIT ADPTR ABKT2572 [MECHANICAL SPECIFICATION]</p>	
<p>THE INFORMATION CONTAINED HEREIN IS PROPRIETARY AND CONFIDENTIAL PROPERTY OF LOUD TECHNOLOGIES, INC. ALL RIGHTS RESERVED</p>	<p>A SHEET 1 OF 1 SCALE: 0.071</p>		<p>REVISION: A</p>
	<p>DRAWING NUMBER: 2034656-CD</p>		<p>PRO ENGINEER</p>

1

2

3

4

PRO ENGINEER