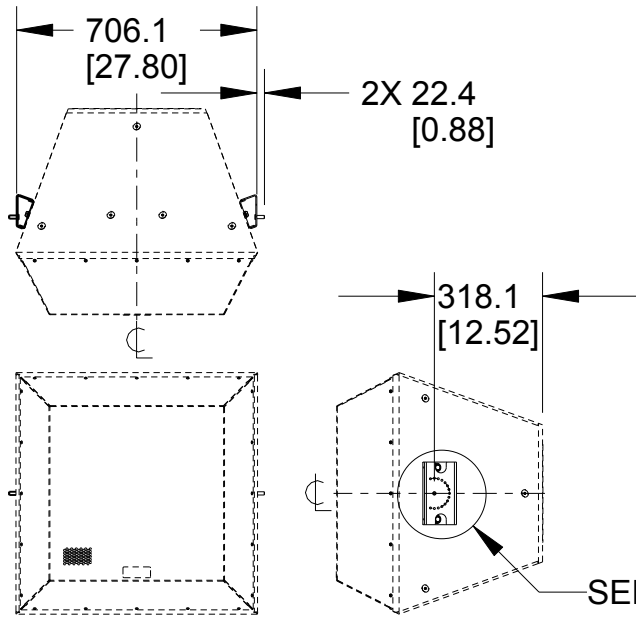
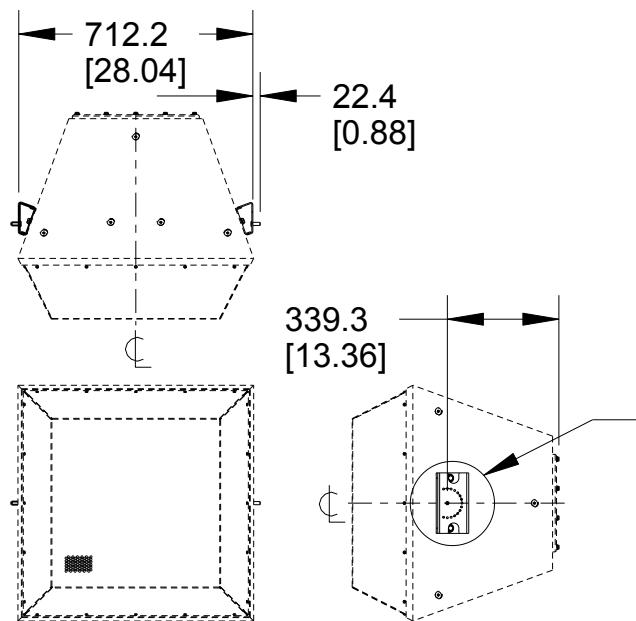


REV	CHANGE NUMBER	DATE
A	ECOWHT7222	1/28/11

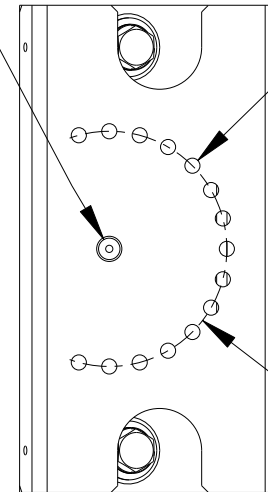


**QX500 SERIES AND QX118**



**QX500-WP SERIES AND QX118-WP**

3/8-16 MOUNTING STUD  
NUT AND WASHERS  
PROVIDED



**DETAIL A**  
SCALE: 0.35

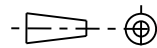
Ø 5.7 [0.23], 15X  
AT 15° SPACING  
SIZED FOR M5 OR #10  
SCREWS THREADED  
IN MATING BRACKET

R44.45  
[1.750]

**NOTES:**

1. APPROX. WEIGHT 2.5 kg. [5.5 lbs.]
2. APPROX. SHIPPING WEIGHT 4.5 kg. [10 lbs.]
3. THE LOUD SPEAKER CAN BE ROTATED 90° FOR INSTALLATION AND THE BRACKETRY WILL RETAIN THE DIMENSIONS SHOWN.
4. KIT INCLUDES TWO ADAPTER BRACKETS AND MOUNTING HARDWARE.
4. LOUDSPEAKER NOT INCLUDED.

THIRD ANGLE PROJECTION



UNLESS OTHERWISE SPECIFIED:  
ALL DIMENSIONS ARE IN MILLIMETERS  
DUAL [INCHES] DIMENSIONS  
FOR REF ONLY

TOLERANCE IN MILLIMETERS  
LINEAR ± 3.3 mm / ± 0.13 in  
ANGLES ± 1°

(X.XX) = REF DIMS  
NO TOLERANCE IMPLIED

TSC = THEORETICAL SHARP CORNER

DIMENSIONS ACROSS CENTERLINES  
TO BE SYMMETRICAL

THE INFORMATION CONTAINED  
HEREIN IS PROPRIETARY AND  
CONFIDENTIAL PROPERTY OF  
LOUD TECHNOLOGIES, INC.  
ALL RIGHTS RESERVED

**EAW** www.eaw.com

TITLE: **DRAWING CUSTOMER  
ADAPTER BRACKET ABKT-QX  
[MECHANICAL SPECIFICATION]**

**A**

SHEET 1 OF 1

SCALE:  
0.045

DRAWING NUMBER:  
**2036437-CD**

REVISION:  
A