

1

2

3

4

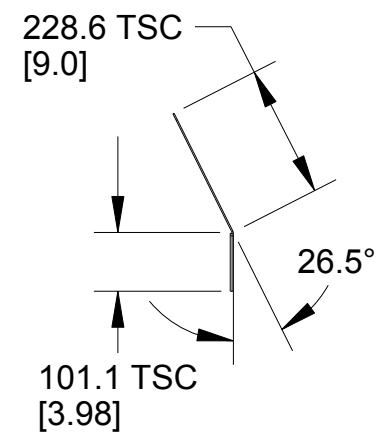
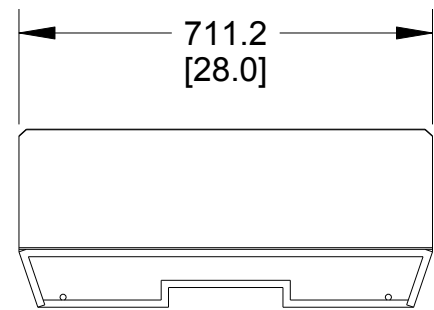
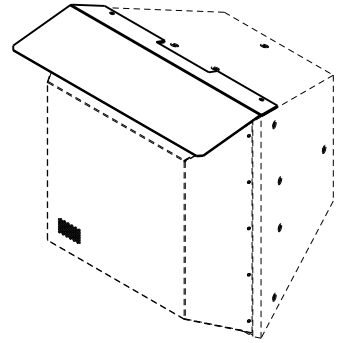
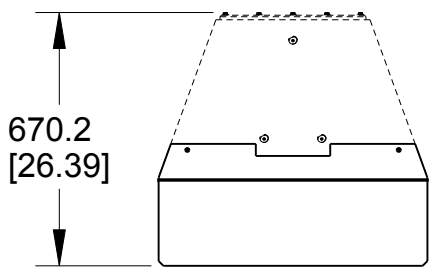
NOTES:

- 1. APPROX. WEIGHT 1.5 kg [3.5 lb.]
- 2. APPROX. SHIPPING WEIGHT 4.5 kg. [10 lb.]
- 3. SOME WP APPLICATIONS MAY NOT REQUIRE A RAINSHIELD. CONSULT EAW APPLICATIONS SUPPORT GROUP FOR FURTHER INFORMATION.
- 4. LOUDSPEAKER NOT INCLUDED.

REV	CHANGE NUMBER	DATE
A	ECOWHT7222	2/1/11

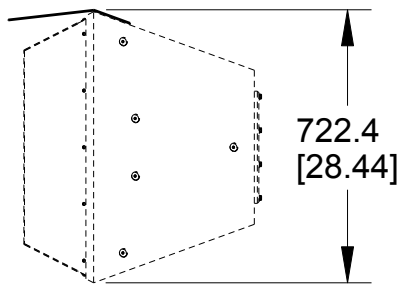
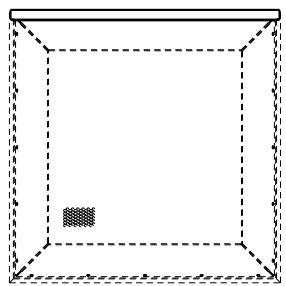
C

C



B

B



WPSQX AS INSTALLED

WPSQX

A

A

<p>THIRD ANGLE PROJECTION</p>	<p>UNLESS OTHERWISE SPECIFIED: ALL DIMENSIONS ARE IN MILLIMETERS DUAL [INCHES] DIMENSIONS FOR REF ONLY</p>		<p>EAW www.eaw.com</p>	
	<p>TOLERANCE IN MILLIMETERS LINEAR ± 3.3 mm / ± 0.13 in ANGLES ± 1°</p> <p>(X.XX) = REF DIMS NO TOLERANCE IMPLIED</p> <p>TSC = THEORETICAL SHARP CORNER</p> <p>DIMENSIONS ACROSS CENTERLINES TO BE SYMMETRICAL</p>		<p>TITLE: DRAWING CUSTOMER KIT RAINSHIELD [ACC-WPSQX] [MECHANICAL SPECIFICATION]</p>	
<p>THE INFORMATION CONTAINED HEREIN IS PROPRIETARY AND CONFIDENTIAL PROPERTY OF LOUD TECHNOLOGIES, INC. ALL RIGHTS RESERVED</p>	<p>DRAWING NUMBER: 2036515-CD</p>		<p>SHEET 1 OF 1</p>	<p>SCALE: 0.050</p>
	<p>PRO ENGINEER</p>			<p>REVISION: A</p>

1

2

3

4

PRO ENGINEER