


REV	CHANGE NUMBER	DATE
A	ECOWHT9964	3/20/14
B	ECOWH10171	7/9/14

NOTES:
 1. SYMBOL  INDICATES CENTER OF BALANCE.
 2. WEIGHT APPROXIMATELY 5.0 lb [2.3 kg]

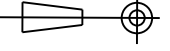

TOP

FRONT/BACK

BOTTOM

RIGHT SIDE

FBDISTRO

THIRD ANGLE PROJECTION 	UNLESS OTHERWISE SPECIFIED: ALL DIMENSIONS ARE IN INCHES DUAL [MM] DIMENSIONS FOR REF ONLY		 www.eaw.com
	TOLERANCE IN INCHES LINEAR ± 0.13 in / ± 3.3 mm ANGLES $\pm 1^\circ$		
THE INFORMATION CONTAINED HEREIN IS PROPRIETARY AND CONFIDENTIAL PROPERTY OF LOUD TECHNOLOGIES, INC. ALL RIGHTS RESERVED	(X.XX) = REF DIMS NO TOLERANCE IMPLIED TSC = THEORETICAL SHARP CORNER DIMENSIONS ACROSS CENTERLINES TO BE SYMMETRICAL		SCALE: 0.200
	DRAWING NUMBER: 2042576-CD		REVISION: B