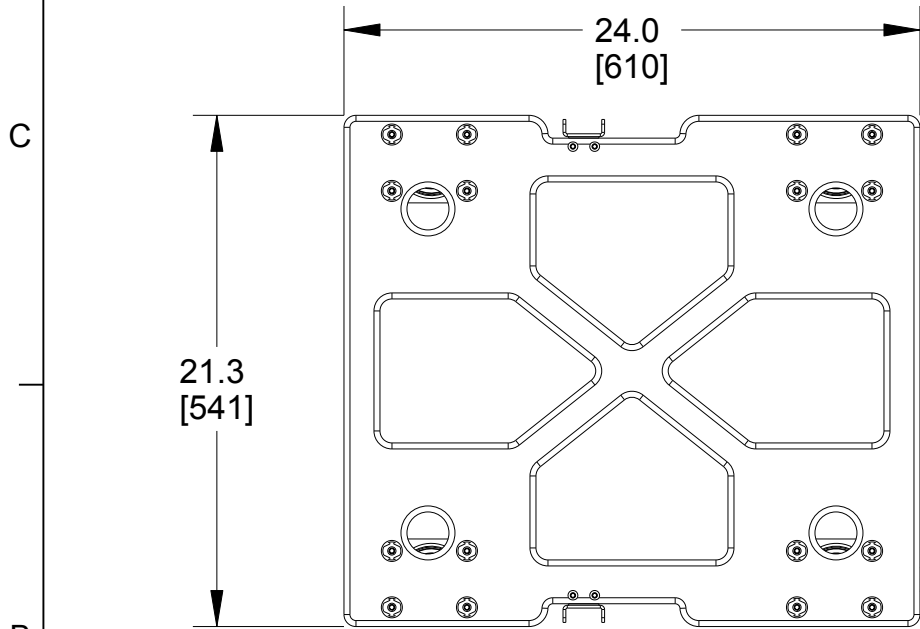


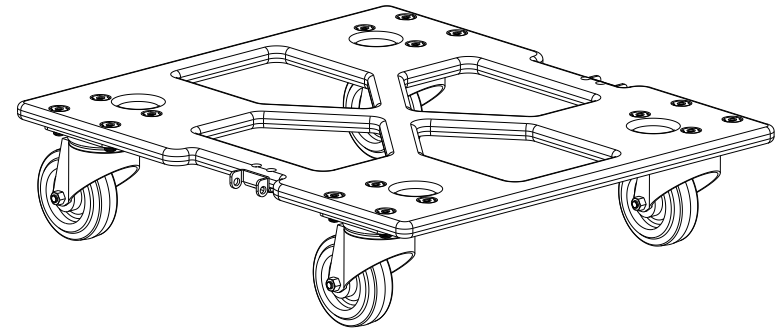
NOTES:

1. WEIGHT APPROX. 15 lb [7 kg]

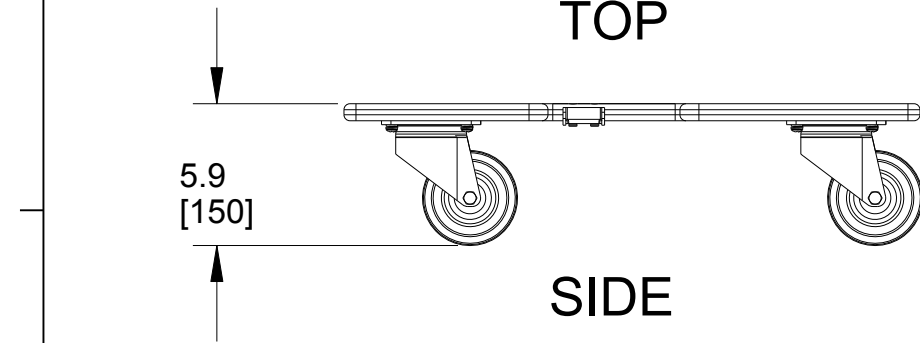
REV	CHANGE NUMBER	DATE
A	ECOWHT9775	11/18/13



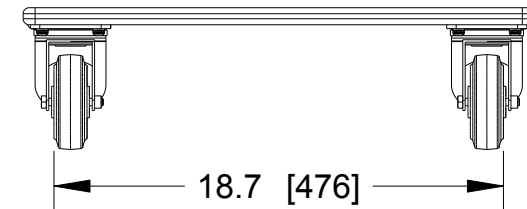
TOP



ANYA DISTRO PALLET

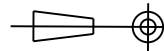


SIDE



FRONT

THIRD ANGLE PROJECTION



THE INFORMATION CONTAINED
HEREIN IS PROPRIETARY AND
CONFIDENTIAL PROPERTY OF
LOUD TECHNOLOGIES, INC.
ALL RIGHTS RESERVED

UNLESS OTHERWISE SPECIFIED:
ALL DIMENSIONS ARE IN INCHES
DUAL [MM] DIMENSIONS
FOR REF ONLY

TOLERANCE IN INCHES
LINEAR ± 0.13 in / ± 3.3 mm
ANGLES $\pm 1^\circ$

(X.XX) = REF DIMS
NO TOLERANCE IMPLIED

TSC = THEORETICAL SHARP CORNER

DIMENSIONS ACROSS CENTERLINES
TO BE SYMMETRICAL

EAW www.eaw.com

TITLE:
DWG CUSTOMER
CASTER PALLET DISTRO 12 ANYA
[MECHANICAL SPECIFICATION]

A

SHEET 1 OF 1

SCALE:
0.125

DRAWING NUMBER:

2042482-CD

REVISION:

A