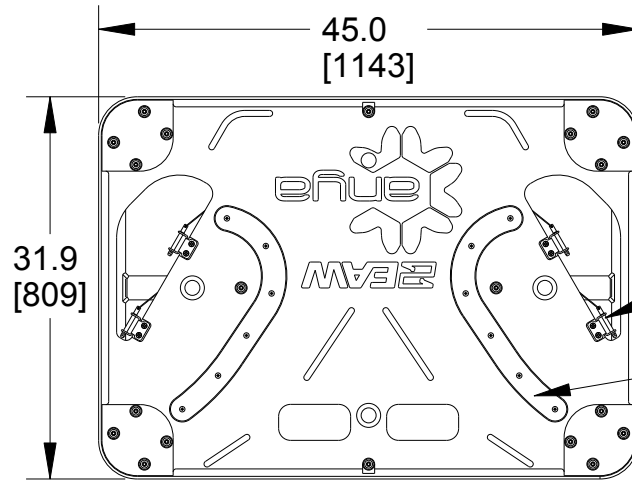


NOTES:

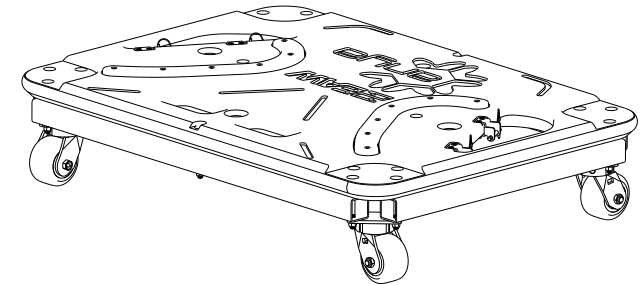
1. WEIGHT APPROX. 140 lb [64 kg].

REV	CHANGE NUMBER	DATE
A	ECOWH10645	4/27/2015

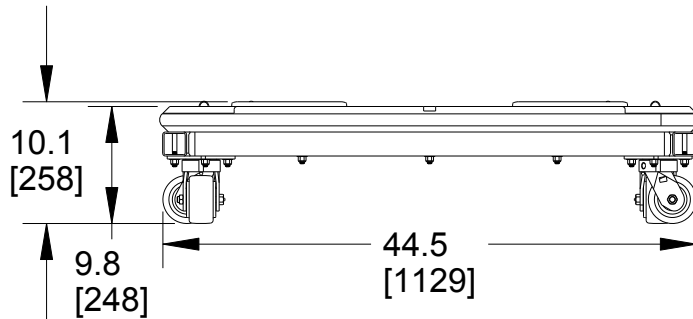


4X PROPRIETARY RIGGING SYSTEM
2X STACK PAD

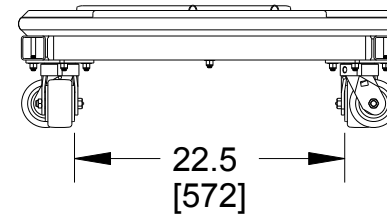
TOP



PLT2ANYA

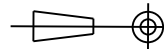


FRONT



SIDE

THIRD ANGLE PROJECTION



THE INFORMATION CONTAINED
HEREIN IS PROPRIETARY AND
CONFIDENTIAL PROPERTY OF
LOUD TECHNOLOGIES, INC.
ALL RIGHTS RESERVED

UNLESS OTHERWISE SPECIFIED:
ALL DIMENSIONS ARE IN INCHES
DUAL [MM] DIMENSIONS
FOR REF ONLY

TOLERANCE IN INCHES
LINEAR ± 0.13 in / ± 3.3 mm
ANGLES $\pm 1^\circ$

(X.XX) = REF DIMS
NO TOLERANCE IMPLIED

TSC = THEORETICAL SHARP CORNER

DIMENSIONS ACROSS CENTERLINES
TO BE SYMMETRICAL

EA W www.eaw.com

TITLE:
DWG CUSTOMER
PLT2ANYA
[MECHANICAL SPECIFICATION]

A

SHEET 1 OF 1

SCALE:
0.063

DRAWING NUMBER:

2045684-CD

REVISION:

A