



## APPLICATION

- For large cinemas
- Bi-amplified 2-way screen channel loudspeaker
- THX®-Approved

## PRODUCT INFORMATION

The CB2591 large format 2-way screen loudspeaker system is designed to meet all THX requirements for large theaters. The CB2591 is approved by the THX division of Lucasfilm, Ltd., for use in THX-certified theaters.

The two component system includes a BV253C vented dual 15-in low frequency unit and EAW's HK2591 high frequency system – a large format 90° x 40° horn loading a large diaphragm 2-in exit compression driver.

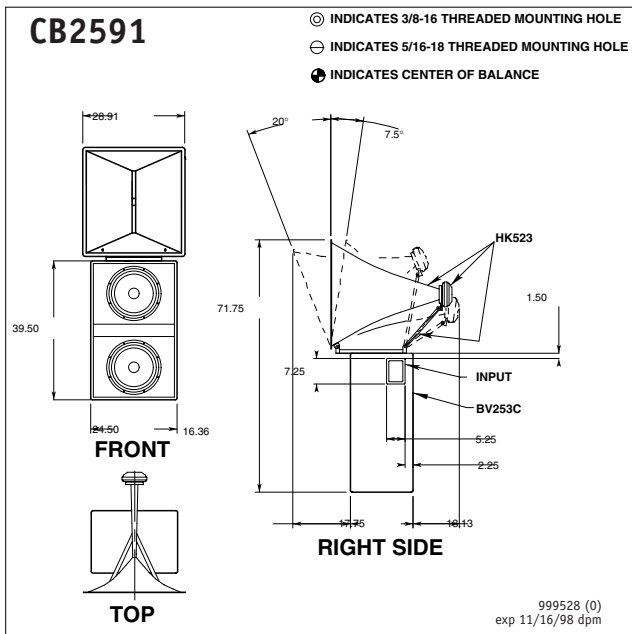
The HK2591's large format HF cinema horn ensures even distribution of HF information over the entire audience area.

The BV253C's optimally vented enclosure uses enclosure resonance to increase LF response while limiting driver excursion. This method produces less distortion and minimizes driver strain while extending LF response to the lowest octaves.

The LF enclosure has 3 mounting points to allow optimum front/rear positioning of the HF component. The adjustable mounting bracket attaching the HF horn to the LF enclosure allows the HF horn to be aimed independently of the LF section in both the horizontal and vertical planes and can be locked once it is positioned.

The LF section includes a two-terminal barrier strip that accommodates bare wire, tinned leads or spade lugs. The HF component uses heavy duty spring-loaded push button type connectors. Input connectors for the LF section are located on the side of the enclosure for convenient access in cramped installation areas. HF input connectors are directly on the compression driver.

All components feature a textured black finish to eliminate the reflection of light through perforated cinema screens.



## COMPONENTS & CONSTRUCTION

The CB2591 is a two-way, high output, full range loudspeaker system intended for use in behind-screen cinema applications. It features dual 15-in low frequency transducers mounted in a compact, vented enclosure and a 2-in exit titanium diaphragm compression driver mounted to a large format 90° x 40° constant directivity horn.

The CB2591 requires an external active electronic crossover. The recommended crossover point is 500 Hz. Input connectors for the HF section are dual spring loaded push-button type, designed to accommodate bare or tinned leads, with a 2-terminal barrier strip for the LF section. Separate input connectors are provided for each section.

The low frequency enclosure is constructed of 3/4-in thick Medium Density Fiberboard (MDF) with the exception of the baffle which is 15mm void-free, cross-grain-laminated Baltic birch plywood. Extensive internal bracing is employed to minimize panel resonances resulting from the large acoustical energies generated within the enclosures.

The high frequency horn is constructed from a specially dampened fiberglass which is non-resonant, lightweight and non-reflective.

The adjustable mounting bracket attaching the HF horn to the LF enclosure can be positioned at one of three mounting points for optimum HF horn placement. It allows the HF horn to be aimed independently of the LF section in both the horizontal and vertical planes and can be locked once it is positioned.

## DESCRIPTIVE DATA

Part Number	999528
LF Subsystem & Loading	2x 15-in, vented
HF Subsystem & Loading	1x 2-in exit compression driver on 90x40 horn
Number of Audio Bands	2-way
Type of Audio Bands	Full Range
Powering Mode	active
System Crossover	500 Hz at 24 dB/oct minimum - EAW CX300-CB2591
Recommended High-Pass Frequency (24 dB/Octave)	30 Hz
Cabinet Type (shape)	rectangular LF cab with externally mounted HF horn
Enclosure Materials	3/4-in MDF with 15mm birch plywood baffle
Finish	Textured Black
Connectors	LF- 2 terminal barrier strip; HF - spring-loaded pushbutton (accepts bare wire)

## NOMINAL DATA

<b>Frequency Response (1 Watt @ 1m)</b>		
±3 dB	42 Hz - 18 kHz	
<b>Axial Sensitivity (dB SPL, 1 Watt @ 1m)</b>		
LF	101	
HF	111	
<b>Impedance (Ohms)</b>		
LF	4	
HF	12	
<b>Power Handling, AES Standard (Watts)</b>		
LF AES Standard	1000	
HF AES Standard (with 500 Hz crossover)	100	
<b>Calculated Maximum Output (dB SPL @ 1m)</b>		
LF Peak	137.0	
HF Peak	137.0	
LF Long Term	131.0	
HF Long Term	131.0	
<b>Nominal Coverage Angle/-6 dB points (degrees)</b>		
Horizontal	90	
Vertical	40	
<b>Recommended Complementary Systems</b>		
Sub	SB184C, SB185C, SB284C	
<b>Dimensions</b>		
	<b>Inches</b>	<b>Centimeters</b>
Height	77.75	197.5
Width	29	73.7
Depth	34.19	86.8
<b>Weights</b>		
	<b>Pounds</b>	<b>Kilograms</b>
Net Weight	182	82.6
Shipping Weight	195	88.5

