



# CPL8

## 2-Way Loudspeaker System

### DESCRIPTION

The CPL8 two-way loudspeaker system sets the new standard in installation performance of compact loudspeakers.

The CPL8 features 1 x 8-in LF woofer and 1 x 1.2-in HF compression driver. The HF horn features a square flange allowing the user to rotate it 90°. This way, the speaker can be mounted horizontally while maintaining the desired coverage pattern.

Advanced beamwidth matching crossover point selection transitions between the subsystems exactly where the HF horn's 90° (h) x 65° (v) coverage pattern matches the woofer's pattern. This eliminates the beamwidth mismatch that creates off-axis voids in the pattern of traditional two-way systems.



### Features

- 1 x 8 inch Low frequency transducer
- 1 x 1.2 inch compression driver
- 90° x 65° coverage pattern
- Rotatable horn design

### Applications

The CPL8 provides a high performance solution to applications requiring the use of a compact two-way loudspeaker system. Ideally suited to distributed approaches, these small, powerful systems mount easily in a variety of locations and provide consistent coverage over the entire frequency range.

### SPECIFICATIONS

#### CONFIGURATION

Subsystem:	<i>Transducer</i> LF 1x 8 in cone HF 1x 1.2 in compression driver	<i>Loading</i> Vented Rotatable Horn
Operating Mode:	<i>Amplifier Channels</i> Single-amp LF/HF	<i>External Signal Processing</i> HPF

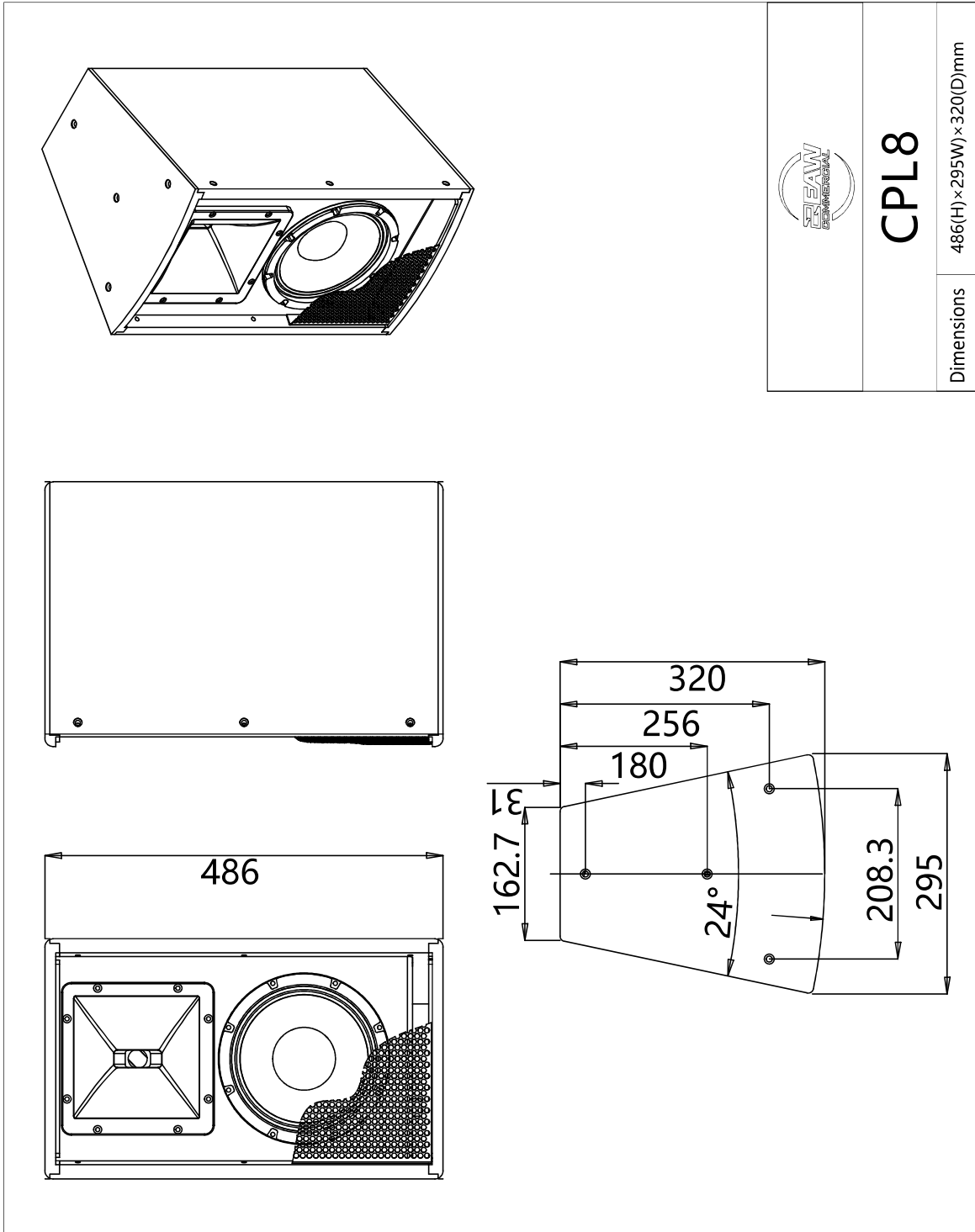
#### PERFORMANCE

Operating Range:	60 Hz to 20 kHz	
Nominal Beamwidth:	Horz 90°	Vert 65°
Axial Sensitivity (whole space SPL):	97 dB (1W@1m)	
Calculated Output (whole space SPL):	125 dB (Peak)	
Input Impedance:	8 ohms	
Power Ratings:	<i>Continuous</i> 150 W	<i>Program</i> 375 W
Dimensions:	486mm(H) x 295mm(W) x 320mm(D)	
Weight:	12.02kg	
Color:	Black	



# CPL8

## 2-Way Loudspeaker System



**NOTE:** This drawing has been reduced. Do not scale.

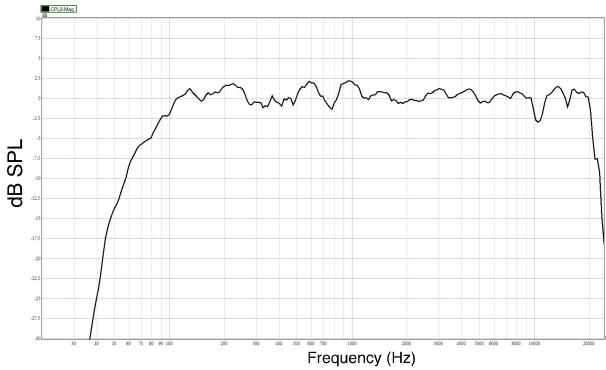


# CPL8

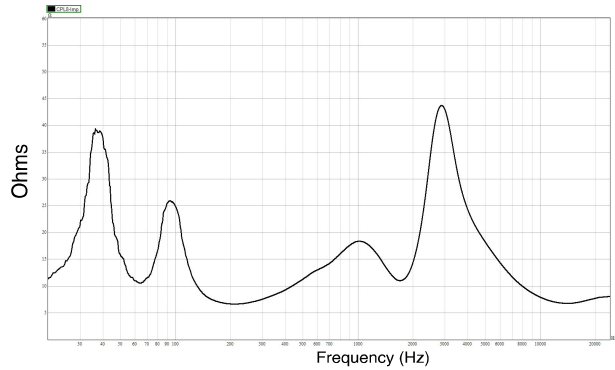
## 2-Way Loudspeaker System

### PERFORMANCE DATA

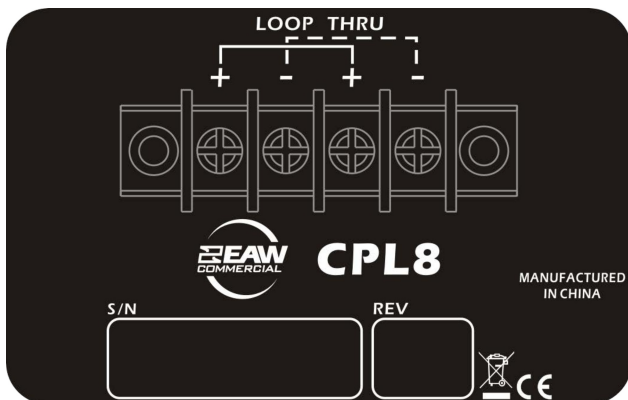
CPL 8 UNPROCESSED FREQUENCY RESPONSE



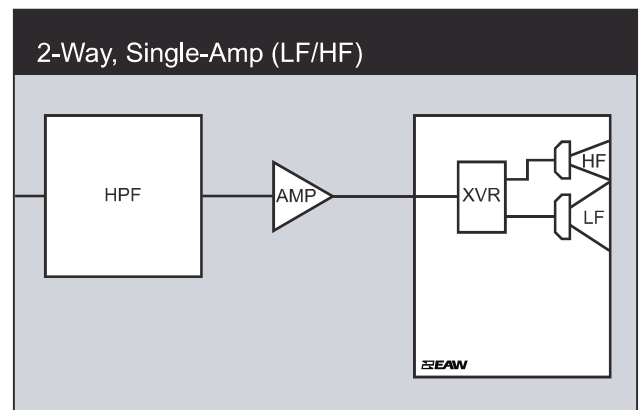
CPL 8 IMPEDANCE VS. FREQUENCY



### INPUT PANEL



### SIGNAL DIAGRAM



### LEGEND

- HPF:** High Pass Filter for crossover –or– Recommended High Pass Filter.
- LPF:** Low Pass Filter for crossover.
- LF/MF/HF:** Low Frequency / Mid Frequency / High Frequency.
- AMP:** User Supplied Power Amplifier –or– Integral Amplifier for NT products.
- XVR:** Passive LPFs, HPFs, and EQ integral to the loudspeaker.