



# CSB208

Dual 8 Inch Subwoofer

## DESCRIPTION

The CSB products are designed for the most demanding professional applications. A broad range of capabilities and sizes provide the designer with selections that can be specifically matched to their application. Top quality drivers, provide the highest output and best sonic performance possible for a given form factor. All CSB subwoofers are the choice where the best sonic performance, highest reliability, and most robust physical construction are required.

The CSB208 is a highly compact subwoofer system optimized for permanent installation. Its small size allows placement in tight places while providing extended low frequency response for full range systems. While the CSB208 works well with most full-range loudspeakers, its most frequent uses are in high quality multi-media systems. These applications include: A/V systems, meeting rooms, classrooms, exhibit areas, cruise ships, TV studios, restaurants, and small retail spaces.



### Features

- 2 x 8 inch cone woofer
- Vented design for extended low frequency response
- 360° x 360° coverage pattern
- Compact enclosure design for placement in tight places

### Applications

- Meeting Rooms
- Exhibit Areas
- Classrooms
- Multizone Paging/Music Playback Systems
- Hotels
- Restaurants
- Multi-Purpose Facilities

## SPECIFICATIONS

### CONFIGURATION

Subsystem:	<i>Transducer</i> 2 x 8 in cone woofer	<i>Loading</i> Vented
Operating Mode:	<i>Amplifier Channels</i> Single-amp LF1/LF2	<i>External Signal Processing</i> LPF

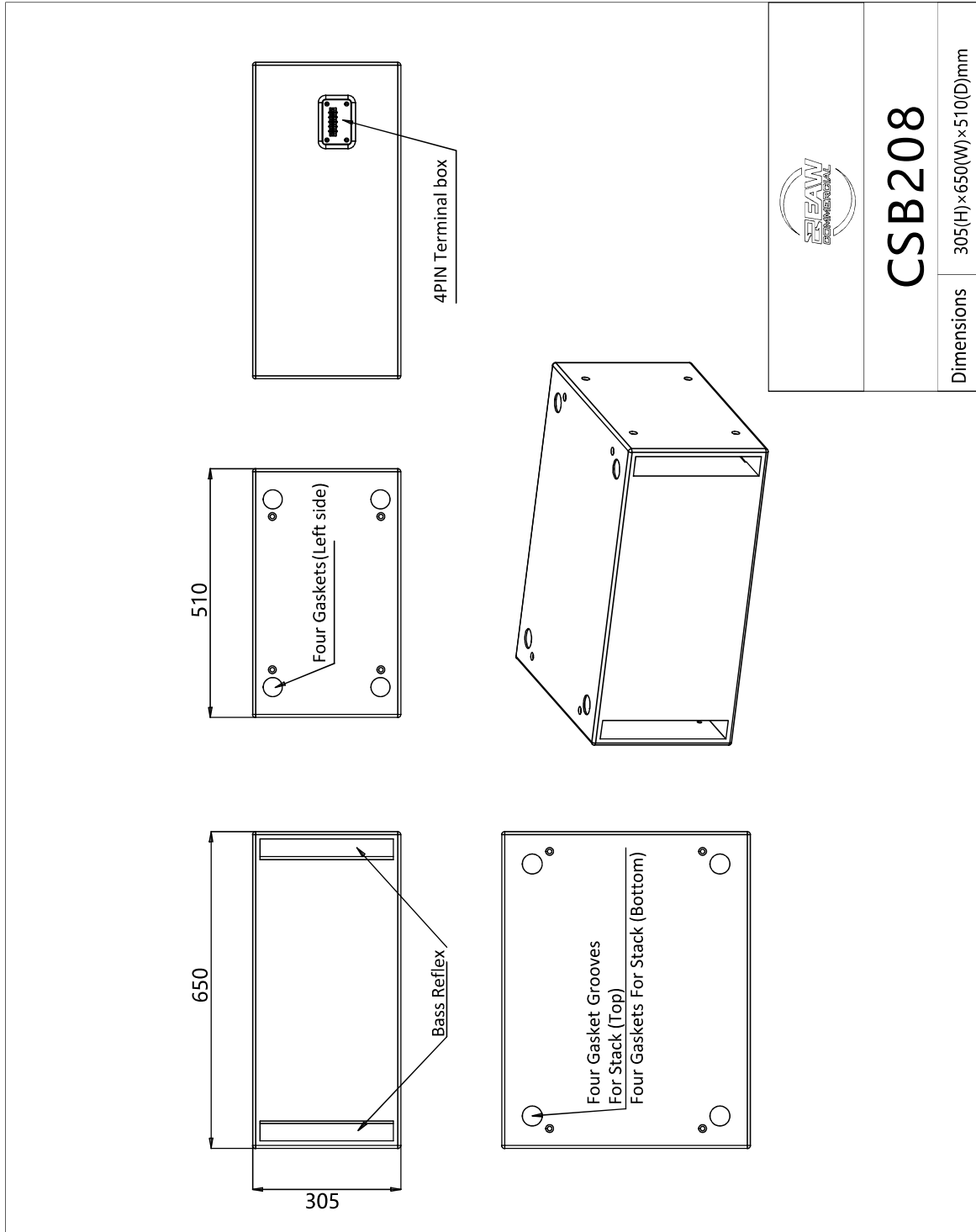
### PERFORMANCE

Operating Range:	35 Hz to 800 Hz
Nominal Beamwidth:	Horz 360° Vert 360°
Axial Sensitivity (half space SPL):	95 dB (1W@1m)
Calculated Output (half space SPL):	127 dB (Peak)
Input Impedance:	4 ohms
Power Ratings:	<i>Continuous</i> 200W
Dimensions:	305mm(H) x 650mm(W) x 510mm(D)
Net Weight:	26.5 kg
Color:	Black



# CSB208

Dual 8 Inch Subwoofer



**NOTE:** This drawing has been reduced. Do not scale.



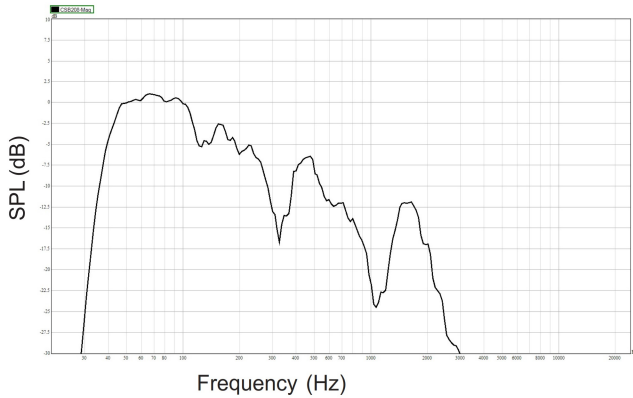
# CSB208

Dual 8 Inch Subwoofer

## PERFORMANCE DATA

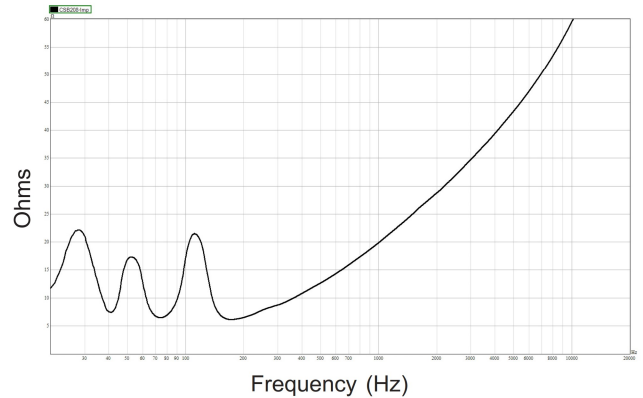
### Frequency Response: Processed

LF Whole Space = Black

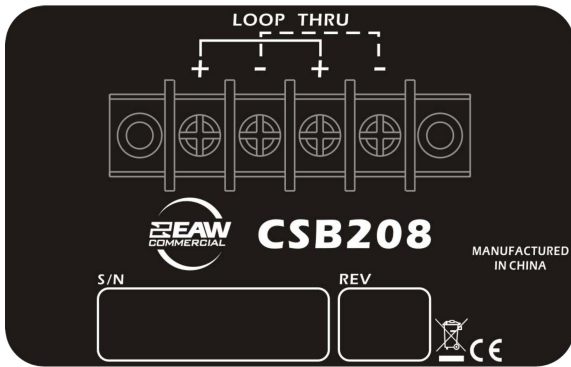


### Impedance Magnitude

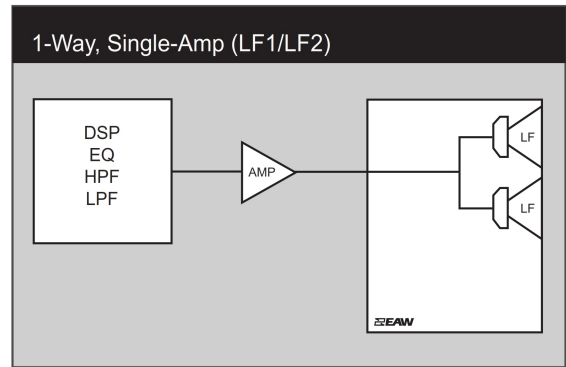
LF = Black



## INPUT PANEL



## SIGNAL DIAGRAM



## LEGEND

- DSP:** User-supplied Digital Signal Processor.
- HPF:** High Pass Filter for crossover or specified High Pass Filter.
- LPF:** Low Pass Filter for crossover.
- LF/MF/HF:** Low Frequency / Mid Frequency / High Frequency.
- AMP:** User-supplied Power Amplifier.
- XVR:** Passive LPFs, HPFs, and EQ integral to the loudspeaker.