
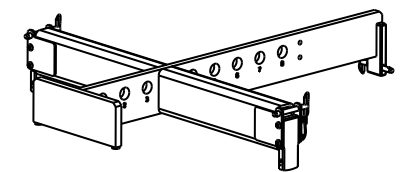
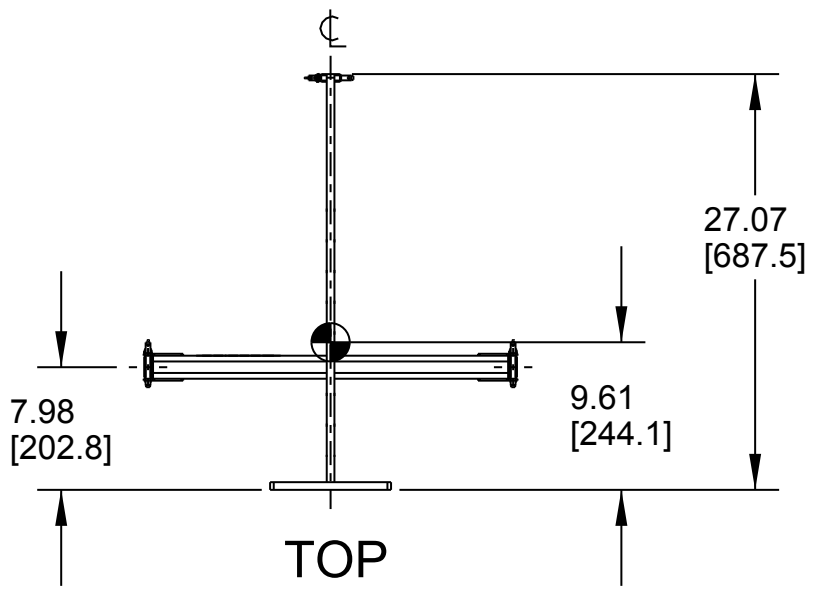


REV	CHANGE NUMBER	DATE
1	ECOWHT5317	1/19/2009

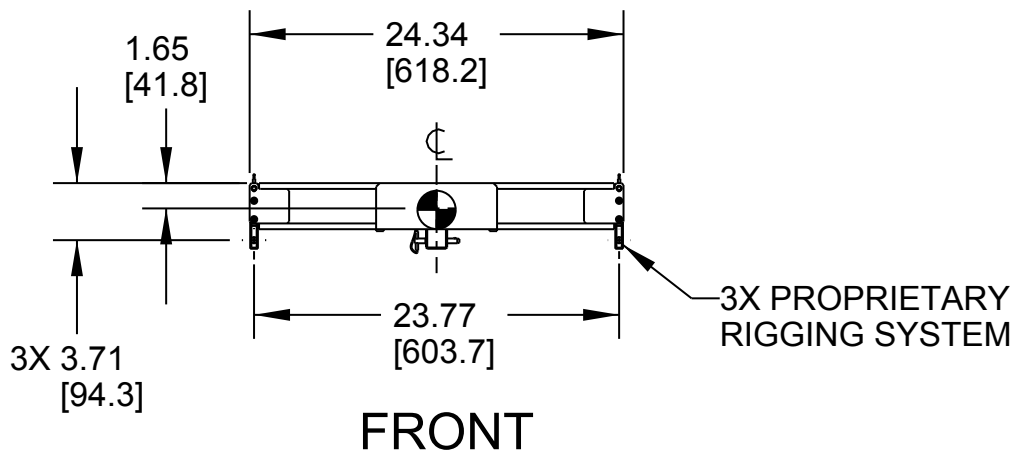
- NOTES:
 1. SYMBOL  INDICATES CENTER OF BALANCE.
 2. WEIGHT APPROX. 28 lb [12.8 kg].
 3. SHIPPING WEIGHT APPROX. 35 lb [16.0 kg].



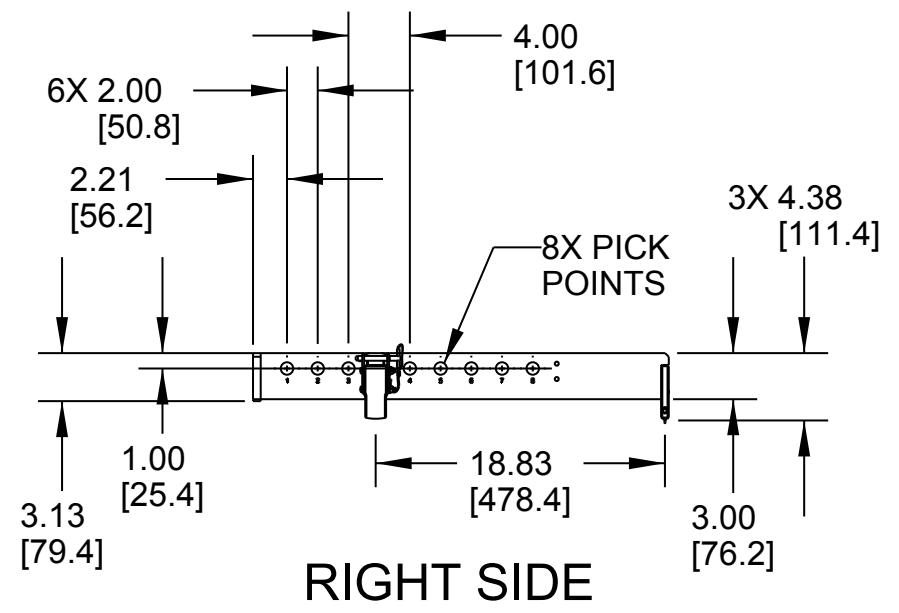
FB121



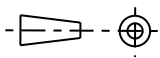
TOP



FRONT



RIGHT SIDE

<p>THIRD ANGLE PROJECTION</p> 	<p>UNLESS OTHERWISE SPECIFIED: ALL DIMENSIONS ARE IN INCHES DUAL [MM] DIMENSIONS FOR REF ONLY</p> <p>TOLERANCE IN INCHES LINEAR ± 0.13 in / ± 3.3 mm ANGLES $\pm 1^\circ$</p> <p>(X.XX) = REF DIMS NO TOLERANCE IMPLIED</p> <p>TSC = THEORETICAL SHARP CORNER</p> <p>DIMENSIONS ACROSS CENTERLINES TO BE SYMMETRICAL</p>	<p>EAW www.eaw.com</p> <p>TITLE: DWG CUSTOMER FB121 [MECHANICAL SPECIFICATION]</p>
	<p>THE INFORMATION CONTAINED HEREIN IS PROPRIETARY AND CONFIDENTIAL PROPERTY OF LOUD TECHNOLOGIES, INC. ALL RIGHTS RESERVED</p>	<p>A SHEET 1 OF 1 SCALE: 0.080</p> <p>DRAWING NUMBER: 0030041-CD REVISION: 1</p>