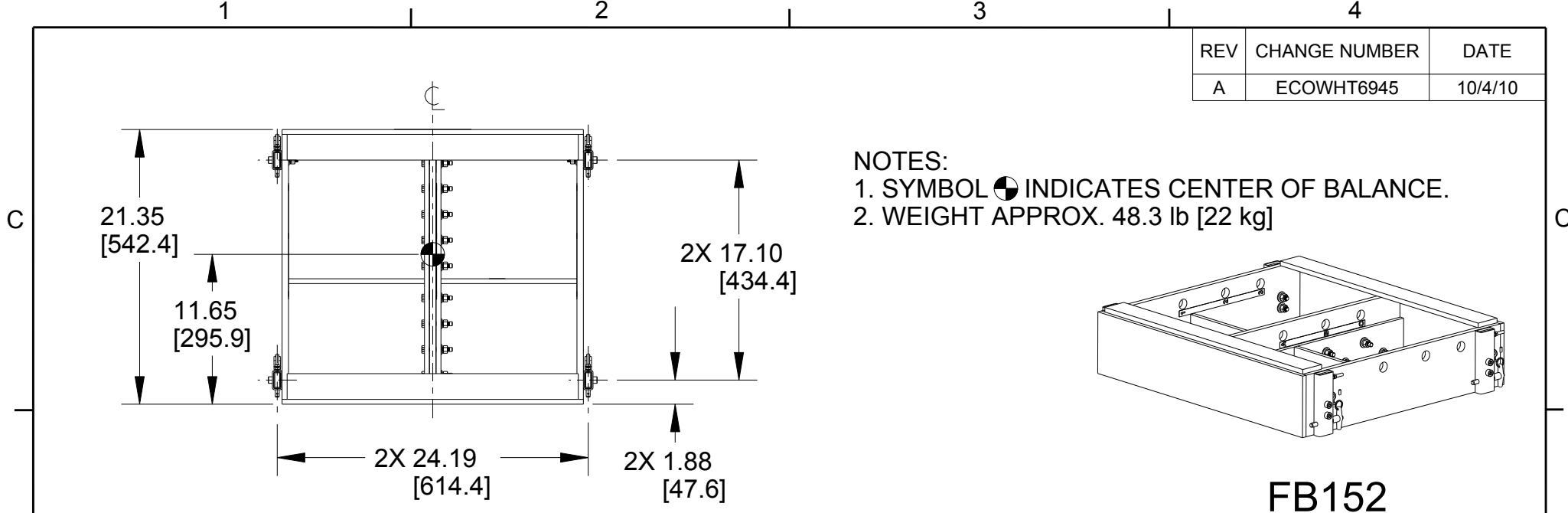

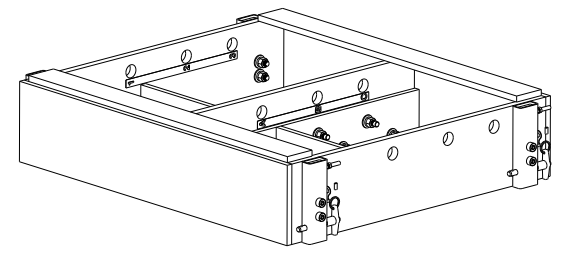


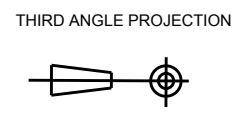
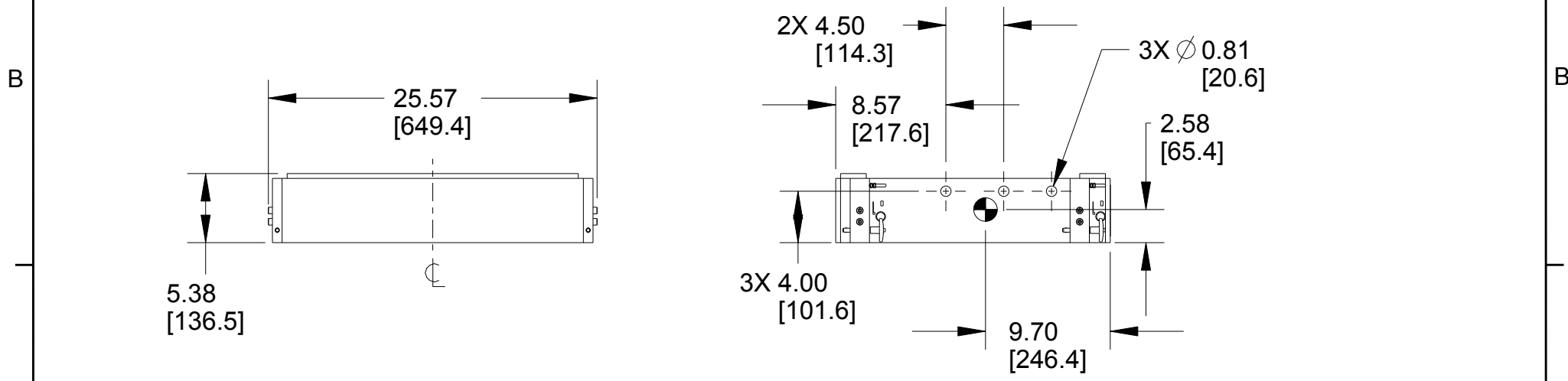
REV	CHANGE NUMBER	DATE
A	ECOWHT6945	10/4/10



NOTES:
1. SYMBOL  INDICATES CENTER OF BALANCE.
2. WEIGHT APPROX. 48.3 lb [22 kg]



FB152



THE INFORMATION CONTAINED
HEREIN IS PROPRIETARY AND
CONFIDENTIAL PROPERTY OF
LOUD TECHNOLOGIES, INC.
ALL RIGHTS RESERVED

UNLESS OTHERWISE SPECIFIED:
ALL DIMENSIONS ARE IN INCHES
DUAL [MM] DIMENSIONS
FOR REF ONLY

TOLERANCE IN INCHES
LINEAR ± 0.13 in / ± 3.3 mm
ANGLES ± 1°

(X.XX) = REF DIMS
NO TOLERANCE IMPLIED
TSC = THEORETICAL SHARP CORNER
DIMENSIONS ACROSS CENTERLINES
TO BE SYMMETRICAL

EAW www.eaw.com

TITLE:
**DWG CUSTOMER FB152
[MECHANICAL SPECIFICATION]**

A	SHEET 1 OF 1	SCALE: 0.088
	DRAWING NUMBER: 0032950-CD	
		REVISION: A