


1

2

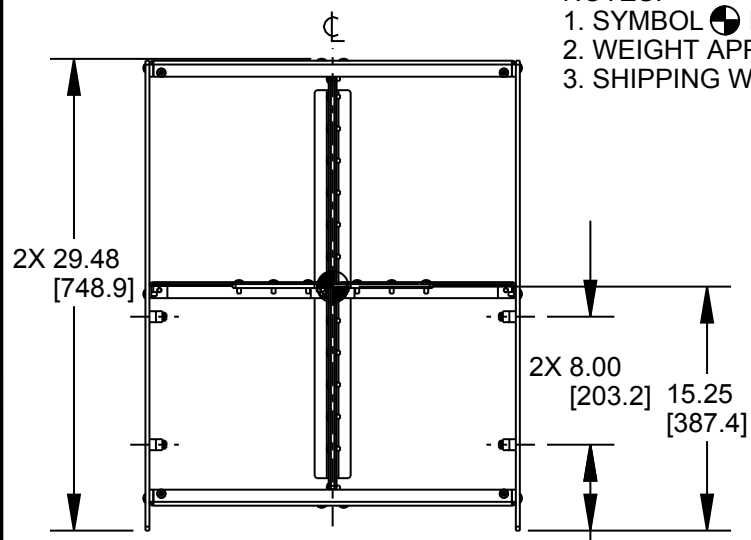
3

4

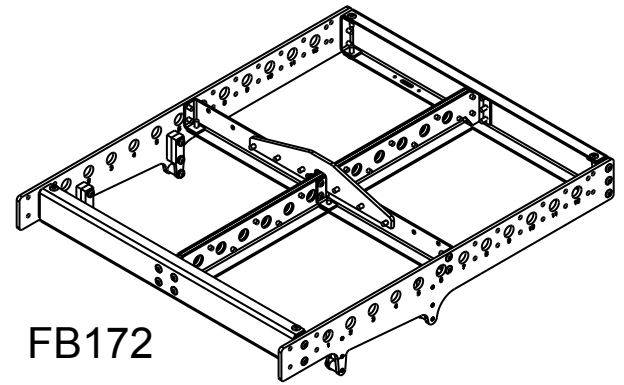
NOTES:
 1. SYMBOL  INDICATES CENTER OF BALANCE.
 2. WEIGHT APPROX. 34 lb [15.4 kg].
 3. SHIPPING WEIGHT APPROX. 40 lb [18.1 kg].

REV	DESCRIPTION	APVD/DATE
A	NEW ISSUE PER ECOWHT5138 SED 6/24/08	SEE AGILE

C

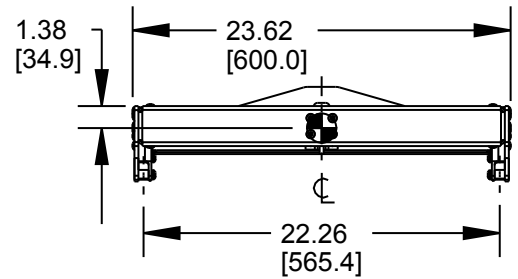


TOP/BOTTOM

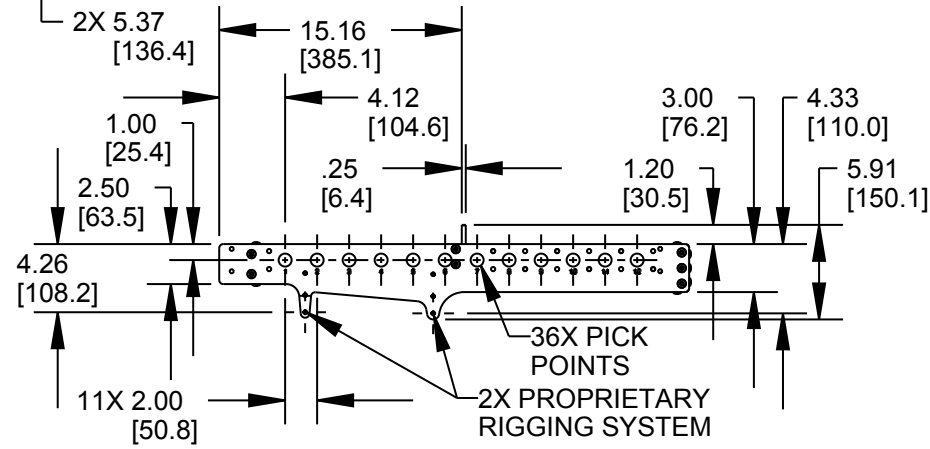


FB172

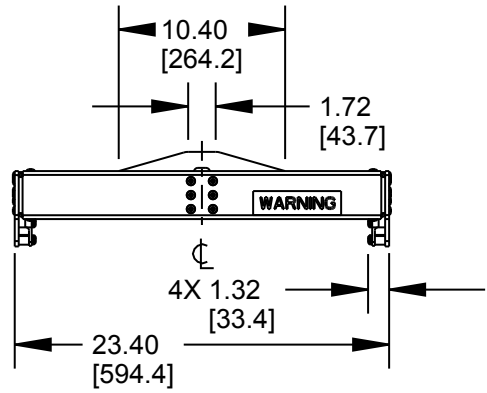
B



FRONT

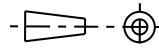



RIGHT SIDE
DIMENSIONS APPLY TO BOTH SIDES



BACK

A

THIRD ANGLE PROJECTION 	UNLESS OTHERWISE SPECIFIED: ALL DIMENSIONS ARE IN INCHES DUAL [MM] DIMENSIONS FOR REF ONLY TOLERANCE IN INCHES LINEAR ± 0.13 in / ± 3.3 mm ANGLES ± 1° (X.XX) = REF DIMS NO TOLERANCE IMPLIED TSC = THEORETICAL SHARP CORNER DIMENSIONS ACROSS CENTERLINES TO BE SYMMETRICAL	STATUS: PRODUCTION		 LOUD Technologies Inc. ONE MAIN STREET, WHITINSVILLE, MA 01588 USA TITLE: DWG CUSTOMER FB172 [MECHANICAL SPECIFICATION]
		APPROVALS	DATE	
THE INFORMATION CONTAINED HEREIN IS PROPRIETARY AND CONFIDENTIAL PROPERTY OF LOUD TECHNOLOGIES, INC. ALL RIGHTS RESERVED		CHECKED:		A SHEET 1 OF 1 SCALE: 1 TO 12
		DES. ENG.		
		MFG. ENG.		

1

2

3

4

PRO ENGINEER