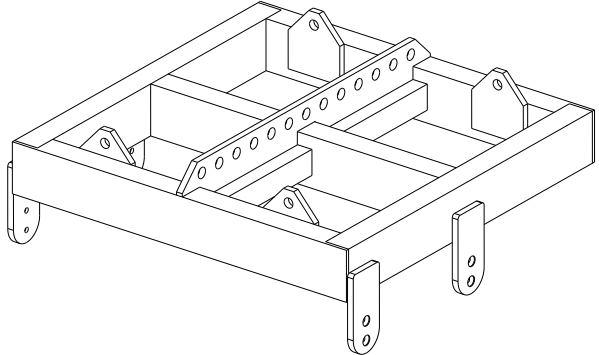
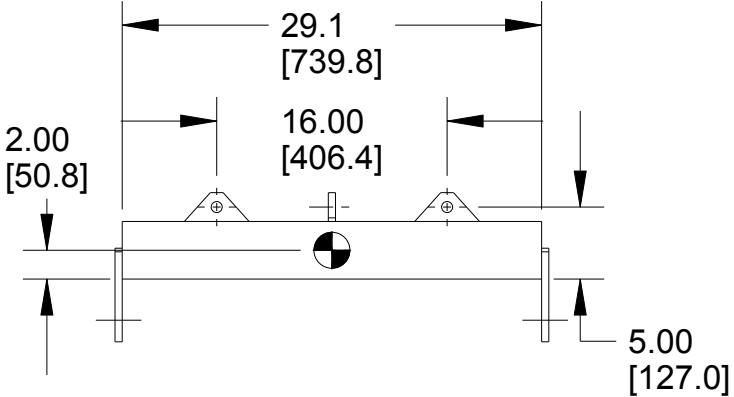
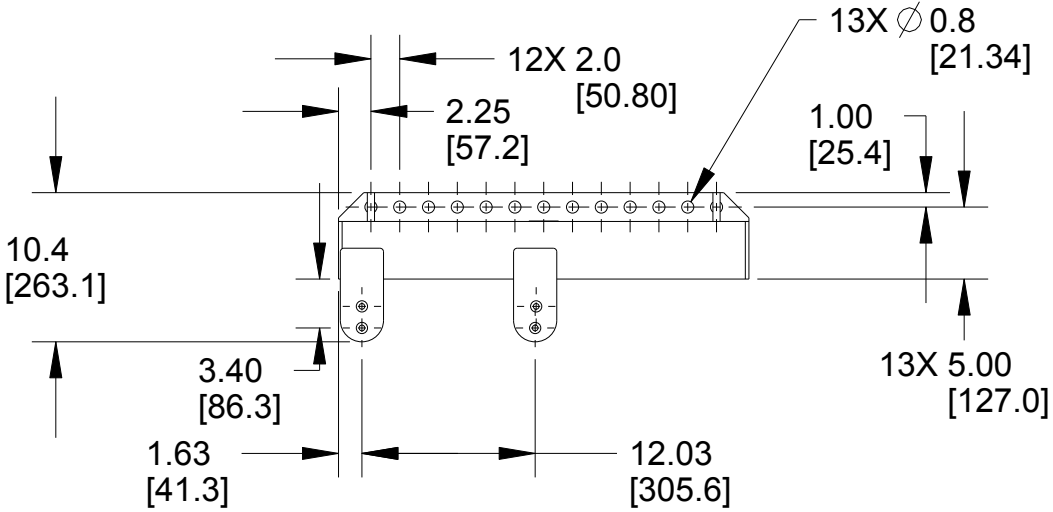



REV	DESCRIPTION
A	NEW ISSUE PER ECOWHT7722 NRL 7/14/11

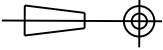


### FB173P FLYBAR



- NOTES:**
1. SYMBOL  INDICATES CENTER OF BALANCE
  2. WEIGHT APPROX. 51.8 lb [23.50 kg]

THIRD ANGLE PROJECTION



THE INFORMATION CONTAINED HEREIN IS PROPRIETARY AND CONFIDENTIAL PROPERTY OF LOUD TECHNOLOGIES, INC. ALL RIGHTS RESERVED

UNLESS OTHERWISE SPECIFIED:  
ALL DIMENSIONS ARE IN INCHES  
DUAL [MM] DIMENSIONS FOR REF ONLY

TOLERANCE IN INCHES  
X.X ± .05 X.XX ± .015 X.XXX ± .005  
FRACTIONS ± 1/32  
ANGLES ± 1/2°


(X.XX) = REF DIMS  
NO TOLERANCE IMPLIED

TSC = THEORETICAL SHARP CORNER  
DIMENSIONS ACROSS CENTERLINES TO BE SYMMETRICAL

REVISION CONTROL FOR THIS DOCUMENT IS MAINTAINED IN LOUD TECHNOLOGIES' PRODUCT LIFECYCLE MANAGEMENT APPLICATION.

ALL APPROVAL INFORMATION IS RECORDED ELECTRONICALLY

DRAWN BY: NRL  
DATE: 7/14/11



LOUD Technologies Inc.  
ONE MAIN STREET, WHITINSVILLE, MA 01588 USA

TITLE:  
**DWG CUSTOMER  
FB173P FLYBAR**

<b>A</b>	SHEET 1 OF 1	SCALE: 0.075
DRAWING NUMBER: <b>0008108-CD</b>		REVISION: <b>A</b>