
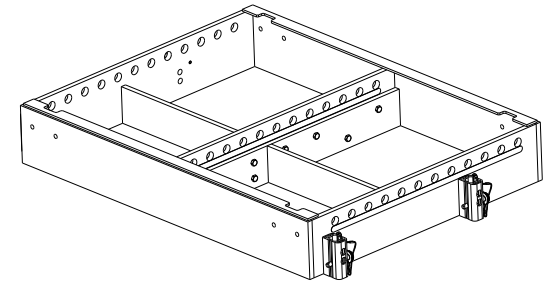
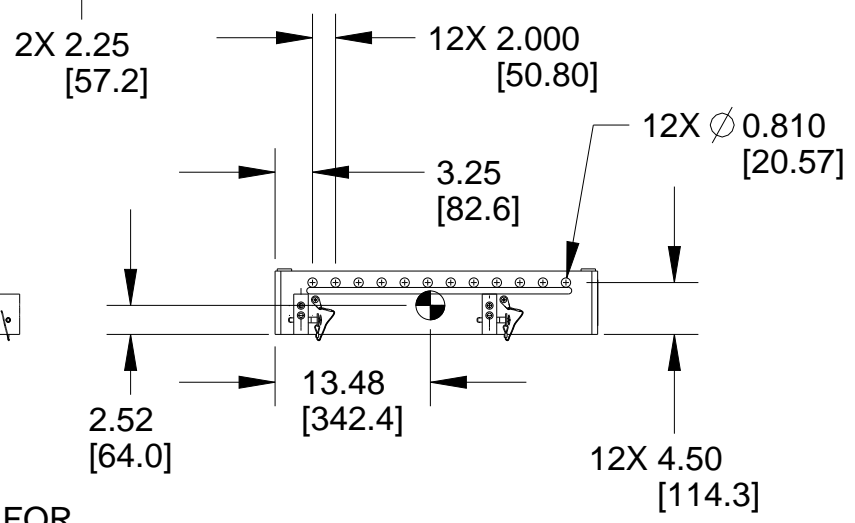
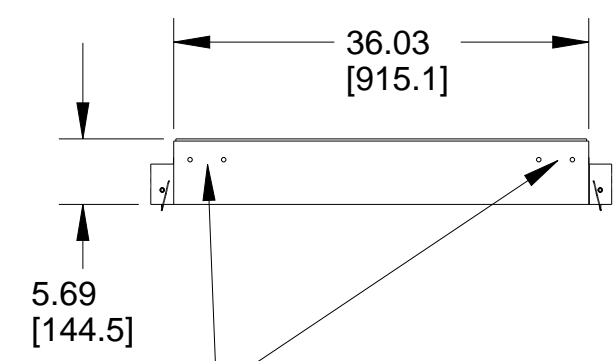
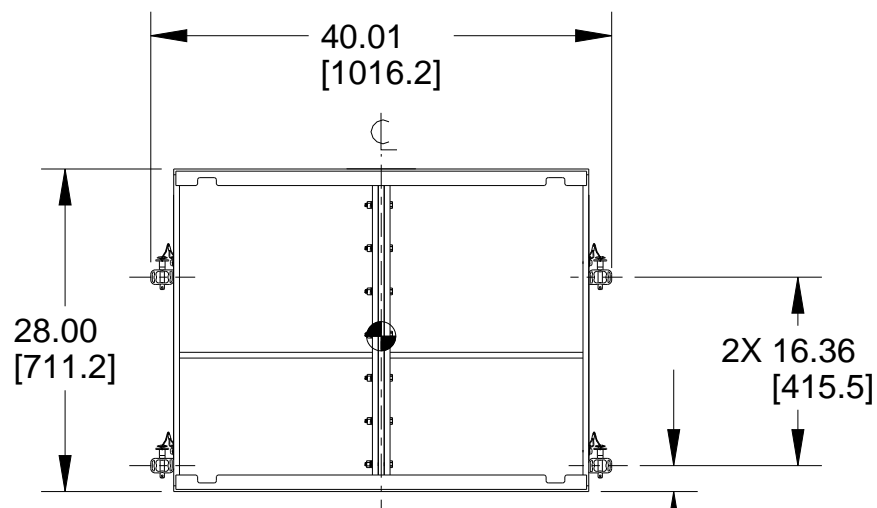


REV	CHANGE NUMBER	DATE
A	ECOWHT5673	7/10/09

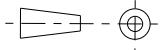
NOTES:
 1. SYMBOL  INDICATES CENTER OF BALANCE.
 2. WEIGHT APPROX. 75 lb [34 kg].



FB174 FLYBAR



MOUNTING POINTS FOR
 OPTIONAL GROUND STACK KIT

<p>THIRD ANGLE PROJECTION</p> 	<p>UNLESS OTHERWISE SPECIFIED: ALL DIMENSIONS ARE IN INCHES DUAL [MM] DIMENSIONS FOR REF ONLY</p> <p>TOLERANCE IN INCHES LINEAR ± 0.13 in / ± 3.3 mm ANGLES ± 1°</p> <p>(X.XX) = REF DIMS NO TOLERANCE IMPLIED</p> <p>TSC = THEORETICAL SHARP CORNER</p> <p>DIMENSIONS ACROSS CENTERLINES TO BE SYMMETRICAL</p>	<p>EAW www.eaw.com</p>	
		<p>TITLE: DWG CUSTOMER FB174 FLYBAR [MECHANICAL SPECIFICATION]</p>	
<p>THE INFORMATION CONTAINED HEREIN IS PROPRIETARY AND CONFIDENTIAL PROPERTY OF LOUD TECHNOLOGIES, INC. ALL RIGHTS RESERVED</p>	<p>A SHEET 1 OF 1 SCALE: 0.060</p>		<p>REVISION: A</p>
	<p>DRAWING NUMBER: 0033133-CD</p>		<p>PRO ENGINEER</p>