

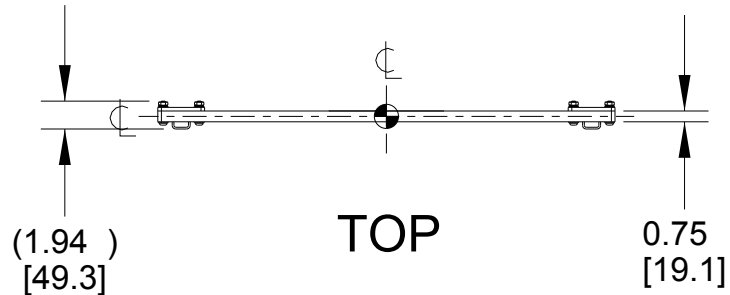
REV	CHANGE NUMBER	DATE
A	ECOWHT5289	12/17/08


1

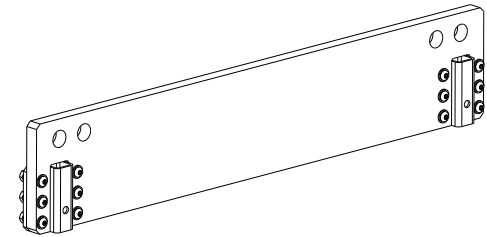
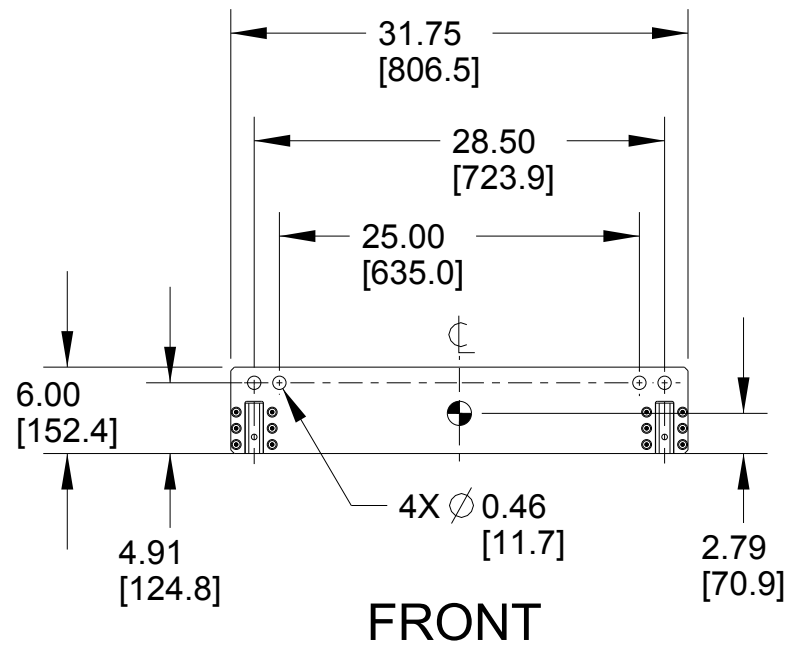
2

3

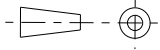
4



NOTES:
 1. SYMBOL  INDICATES CENTER OF BALANCE.
 2. WEIGHT APPROX. 20 lb [9 kg].



FB1SB FLYBAR

<p>THIRD ANGLE PROJECTION</p> 	<p>UNLESS OTHERWISE SPECIFIED: ALL DIMENSIONS ARE IN INCHES DUAL [MM] DIMENSIONS FOR REF ONLY</p> <p>TOLERANCE IN INCHES LINEAR ± 0.13 in / ± 3.3 mm ANGLES $\pm 1^\circ$</p> <p>(X.XX) = REF DIMS NO TOLERANCE IMPLIED</p> <p>TSC = THEORETICAL SHARP CORNER</p> <p>DIMENSIONS ACROSS CENTERLINES TO BE SYMMETRICAL</p>	<p>EAW www.eaw.com</p>	
		<p>TITLE: DWG CUSTOMER FB1SB FLYBAR [MECHANICAL SPECIFICATION]</p>	
<p>THE INFORMATION CONTAINED HEREIN IS PROPRIETARY AND CONFIDENTIAL PROPERTY OF LOUD TECHNOLOGIES, INC. ALL RIGHTS RESERVED</p>	<p>SCALE: 0.075</p>		<p>REVISION: A</p>
	<p>DRAWING NUMBER: 0023840-CD</p>		<p>PRO ENGINEER</p>

1

2

3

4

PRO ENGINEER