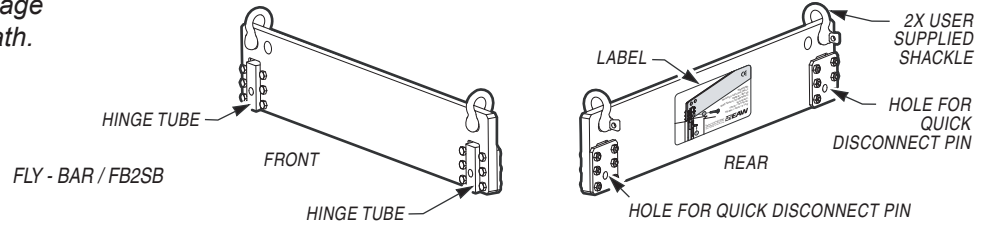




# Installation Instructions FB2SB Fly-Bar & Rigging

**Warning:** Suspending Loudspeakers should be done with extreme caution and by a certified professional who is qualified to determine the requirements for and to implement overhead rigging. Failure to follow proper precautions may result in damage to the equipment, injury, or death.



## Description:

The FB2SB Fly-Bar is used to suspend up to 9 SB2001 loudspeakers that have been updated with the EAW ACC RIGGING SB200X (2 PER) [ACC-R200S].



## Working Load Limit (WLL):

FB2SB Fly-Bar WLL: 2000 lb / 907 kg  
Maximum nine (9) SB2001 with ACC-R200S in succession, 210 lb / 95 kg each  
FB2SB Fly-Bar Weight: 22 lb / 10 kg kg

## Rigging Points on the SB2001 Array:

These instructions define the proper sequence a technician must follow when flying an array of updated SB2001 enclosures. The figure to the right shows, from the top down, the two rigging operations:

- A. Enclosure to Fly-Bar,
- B. Enclosure to Enclosure

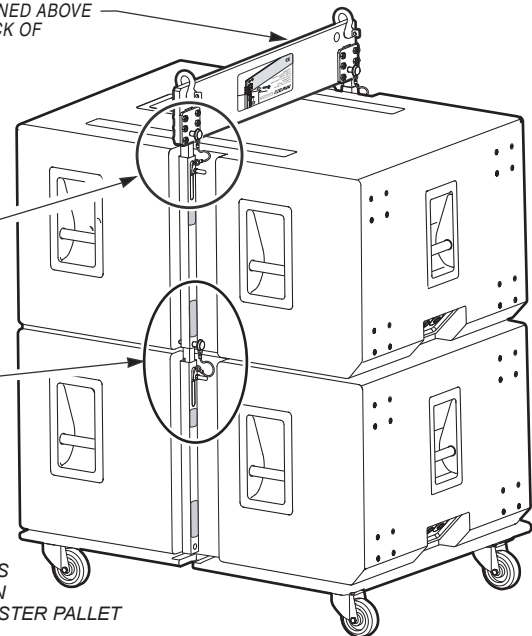
The two rigging operations are defined by the following two assembly illustrations.

FLY-BAR POSITIONED ABOVE PALLETIZED STACK OF UPDATED SB2001 LOUDSPEAKERS

"A" ENCLOSURE TO FLY-BAR

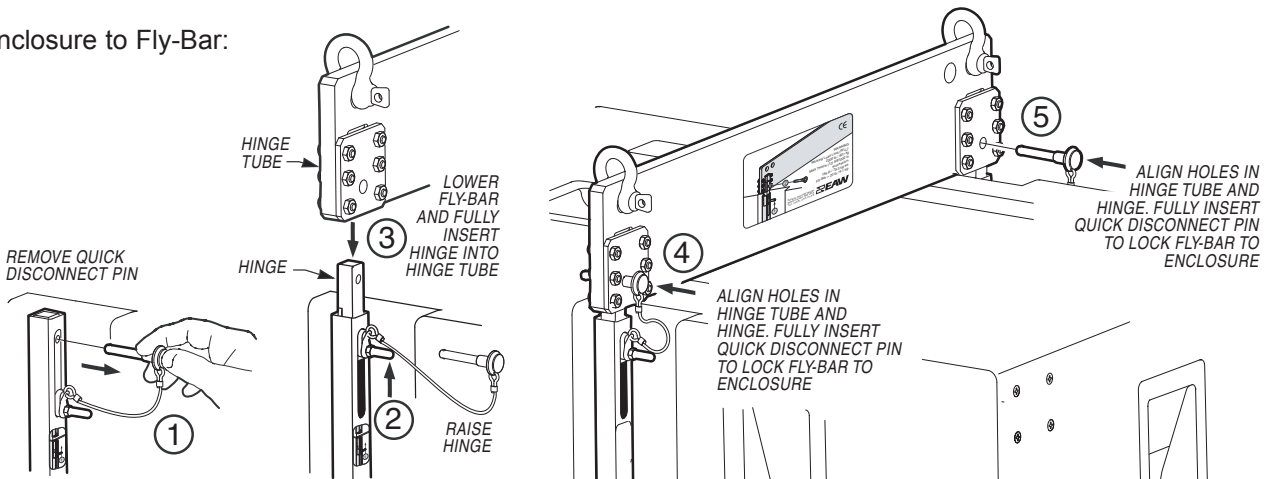
"B" ENCLOSURE TO ENCLOSURE

LOUDSPEAKERS ARE SHOWN ON THE SB2001 CASTER PALLET

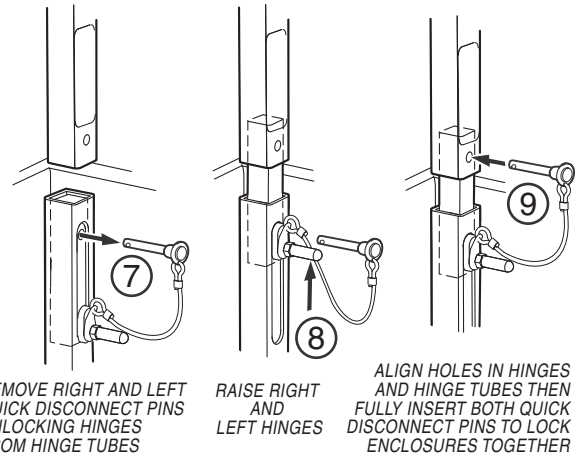
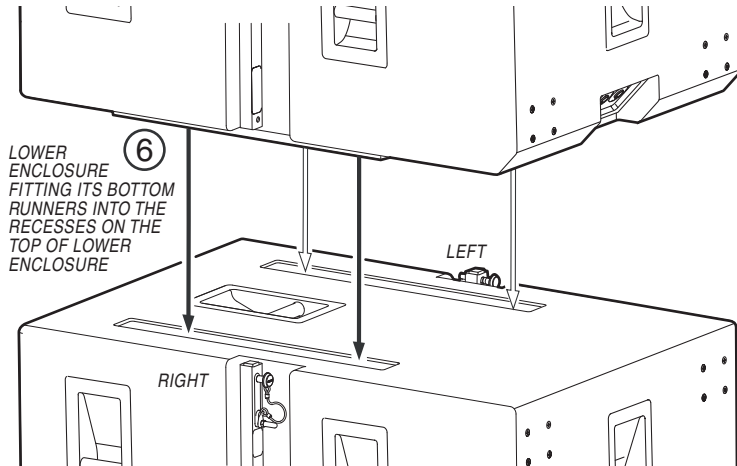


Rigging tubes, hinges, and their tethered quick disconnect pins are attached to both sides of the updated SB2001 Loudspeaker. These instructions apply to both the right and left sides of the Fly-Bar & Loudspeakers. To disassemble the array reverse the sequence of the operations defined in these instructions.

### A. Enclosure to Fly-Bar:



B. Enclosure to Enclosure:



If you have questions about these FB2SB Fly-Bar & Rigging Installation Instructions please contact the EAW Application Support Group:

Tel 800-992-5013 (USA only)  
Tel 508-234-6158  
Fax 508-234-8251  
E-mail [asg@eaw.com](mailto:asg@eaw.com)

**Thank you for purchasing  
EAW products**

The Laws of Physics | The Art of Listening



One Main Street, Whitinsville, MA 01588 tel: 800 992 5013 / 508 234 6158 fax: 508 234 8251 web: [www.eaw.com](http://www.eaw.com)

EAW is the worldwide technological and market leader in the design and manufacture of high-performance professional loudspeaker systems.