



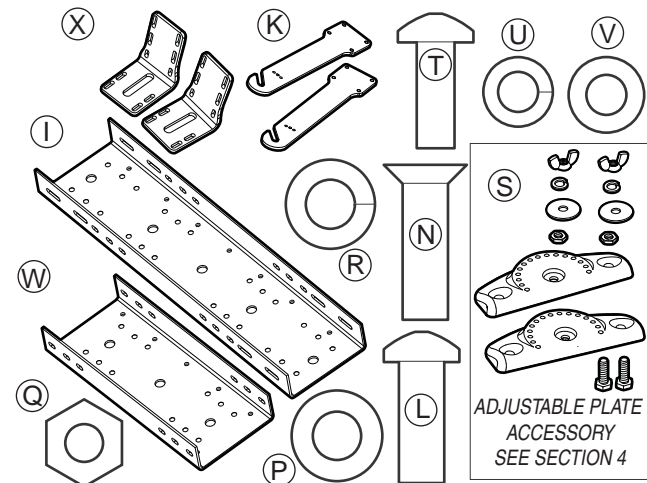
Instructions Installation Accessories JFKF Series

Warning: Installation should only be done by an experienced technician. Improper installation may result in damage to the equipment, injury or death.

INTRODUCTION:

These instructions are for the six (6) accessory packages offered for the JF/KF Loudspeaker Series. These six accessory packages are:

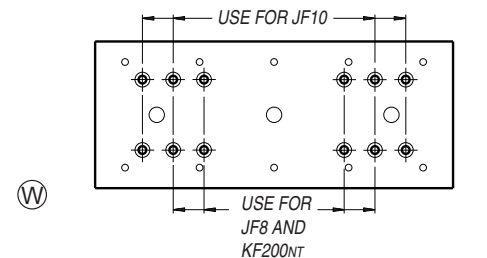
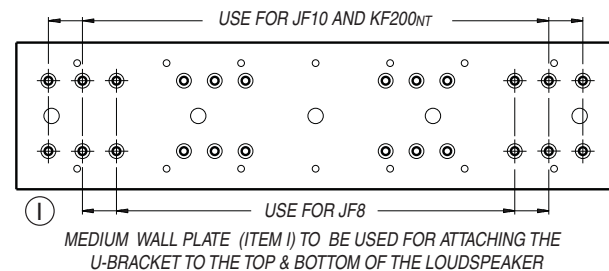
- 1) Flytracks (2 per) (ACC-FTS)
- 2) Adjustable Legs (2 per) (ACC-LGS)
- 3) Cover Plates (2 per) (ACC-CPS)
- 4) Adjustable Plates (2 per) (ACC-APS)
- 5) S1 Adjustable U-Bracket (UBKT-S1)
- 6) S2 Adjustable U-Bracket (UBKT-S2)



ITEMS L, N, P, Q, R, T, U, & V SHOWN FULL SIZE FOR EASY IDENTIFICATION.

a. Assemble both adjustable plate assemblies (S) and attach them to the loudspeaker, see Section 4 and follow steps a, b, c, and d.

b. Assemble each of the 2 support plates (Item K) to a small connector bracket (Item X) with four (4) M6 X 16 screws (L), M6 lock washers (R), and M6 flat washers (P) tighten to 31 kg-cm [26.6 lb-in].

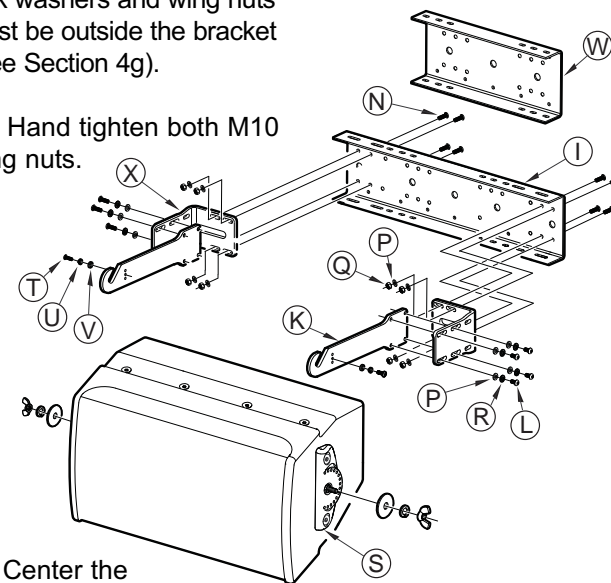


c. Assemble both support plate/connector brackets to the wall plate [medium (I) or short (W)] depending on preferred orientation, see figure above, with eight (8) M6 X 20 flat head screws (N), M6 flat washers (P), and M6 lock nuts (Q)

to hand tight. These assemblies should be free moving on the wall plate.

d. Fit the M10 screw threads on each side of the loudspeaker onto the U-bracket slots. The flat washers, lock washers and wing nuts must be outside the bracket (See Section 4g).

e. Hand tighten both M10 wing nuts.



f. Center the loudspeaker & both support plate/connector bracket assemblies on wall plate. Tighten the eight (8) M6 screws to 31 kg-cm [26.6 lb-in].

g. Loosen both M10 wing nuts and remove loudspeaker from the U-bracket.

h. Mount the U-bracket assembly securely.

Warning: Installation should only be done by an experienced technician. Improper installation may result in damage to the equipment, injury or death.

j. Reattach the loudspeaker to the U-bracket, keeping the wing nuts loose so the cabinet swings freely.

k. Hold loudspeaker at preferred angle and insert the M5 screw (T), M5 lock washer (U), and M5 flat washer (V) through the closest concentric threaded hole and locating notch. Insert the 2nd M5 screw, lock washer, and flat washer in other adjustable and support plates, see Section 5, step j. Torque both M5 screws to 23 kg-cm [20.3 lb-in].

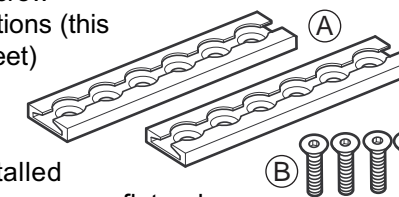
m. Retighten both wing nuts.

1. FLYTRACK ACCESSORY - ACC-FTS

Inventory your kit to include following items:

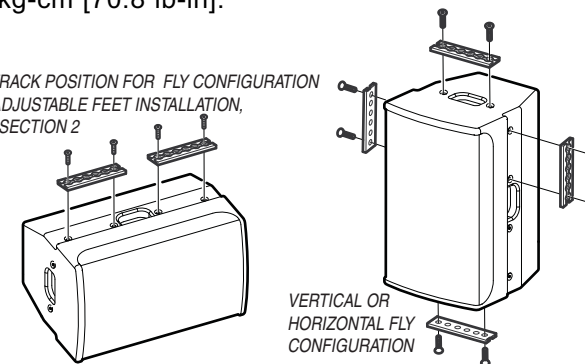
Item	Qty	Description
A	2	Flytrack, 6 Position
B	4	M10 Screw
C	1	Instructions (this sheet)

a. Remove the two (2) factory installed socket flat head screws per flytrack.



b. Position each flytrack with two (2) M10 screws (Item B), use Loctite 242 (not included) and tighten to 82kg-cm [70.8 lb-in].

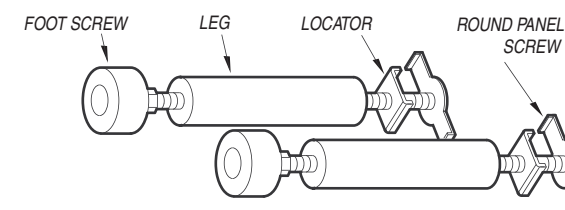
FLYTRACK POSITION FOR FLY CONFIGURATION OR ADJUSTABLE FEET INSTALLATION, SEE SECTION 2



2. ADJUSTABLE LEG ACCESSORY - ACC-LGS

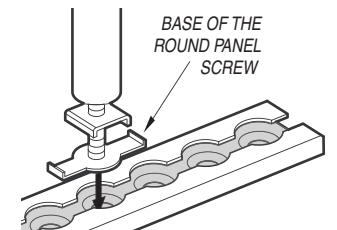
Inventory your kit to include following items:

Item	Qty	Description
A	2	Adjustable Leg
B	1	Instructions (this sheet)



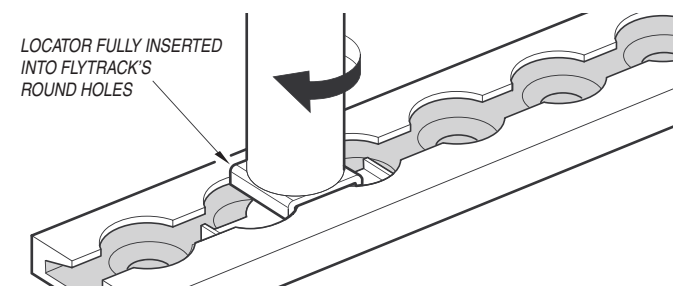
Before attaching the two (2) adjustable legs, two flytracks must already be installed. See Section 1.

a. Loosen the round panel screw from the leg so the locator can be moved a quarter of an inch from the rounded panel.



b. Insert the base of the panel screw into one of the rounds in the flytrack. Move the adjustable leg sideways to the desired location.

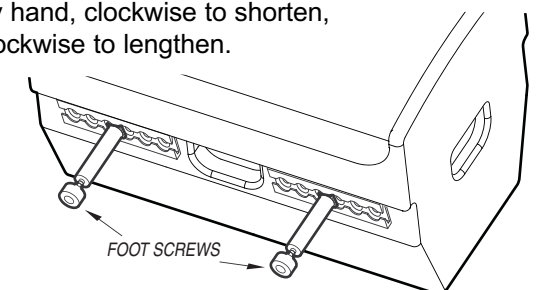
c. Allow the locator to fall into the rounds of the flytrack. This ensures the adjustable leg is properly located within the flytrack.



d. Tighten the leg to the flytrack by turning it clockwise.

e. Repeat steps 2a, b, c and d for the second leg.

f. Adjust the length of both legs by turning the foot screws by hand, clockwise to shorten, counterclockwise to lengthen.



If you have any questions about these JF/KF Accessory Instructions, please contact the EAW Application Support Group:

EAW ASG
One Main Street
Whitinsville, MA 01588 USA

Tel 800-992-5013 (USA only)
Tel 508-234-6158
Fax 508-234-3776
E-mail asg@eaw.com

Thank you for purchasing EAW products

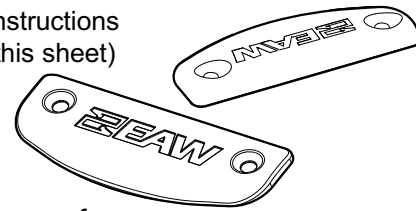
The Laws of Physics | The Art of Listening
EAW is the worldwide technological and market leader in the design and manufacture of high-performance, professional loudspeaker systems.



3. COVER PLATE ACCESSORY - ACC-CPS

Inventory your kit to include following items:

Item	Qty	Description
A	2	Cover Plate
B	1	Instructions (this sheet)

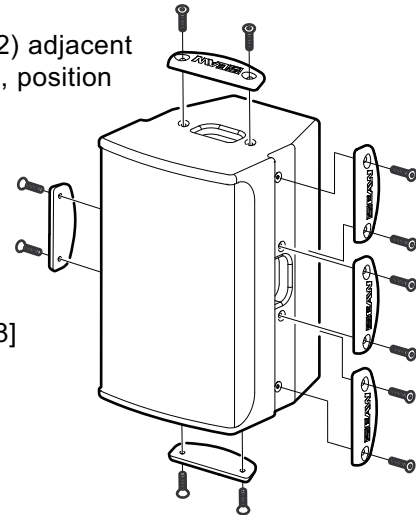


The cover plates can be installed in any of several locations on your JF/KF series loudspeaker.

a. Remove two (2) adjacent mounting screws, position the cover plate.

b. Apply Loctite 242 (customer supplied).

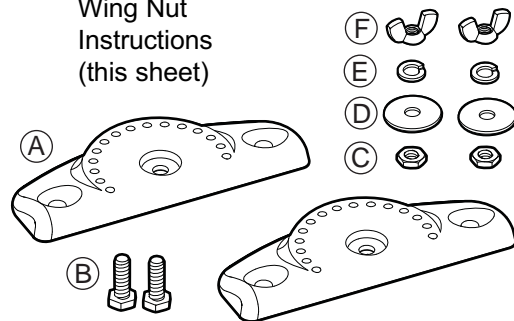
c. Torque screws to 82 kg-cm [70.8 lb-in].



4. ADJUSTABLE PLATE ACCESSORY - ACC-APS

Inventory your kit to include following items:

Item	Qty	Description
A	2	Adjustable Plate
B	2	M10 Hex Screw
C	2	Hex Nut
D	2	Large Flat Washer
E	2	Lock Washer
F	2	Wing Nut
G	1	Instructions (this sheet)



The adjustable plates enable the JF/KF series loudspeaker to be mounted to a wall, ceiling, or truss in either a horizontal or vertical position using a separately purchased U-bracket.

a. Insert the hex screw (Item B) up thru the bottom of the plate (Item A). Fit the head of the screw into the hex shaped recess in the bottom of the plate.

b. Thread the hex nut (Item C) onto the screw, tighten to 82 kg-cm [70.8 lb-in].

c. Assemble the 2nd plate following steps 4a & 4b.

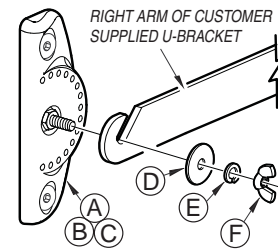
d. The two assembled plates are now ready to be mounted to the JF/KF loudspeaker. Depending on preferred orientation, attach adjustable plates to the top and bottom or centered on each side. Assemble both adjustable plates to the loudspeaker with existing hardware. Use Loctite 242 (not Included) and torque to 82 kg-cm [70.8 lb-in].

e. Mount the U-bracket securely.

Warning: Installation should only be done by an experienced technician. Improper installation may result in damage to the equipment, injury or death.

f. Fit the M10 screw threads on each side of the loudspeaker into the locating features of the U-bracket.

g. Onto each M10 screw assemble a flat washer (Item D), lock washer (Item E) and wing nut (Item F). Adjust the angle of the loudspeaker and tighten both wing nuts.

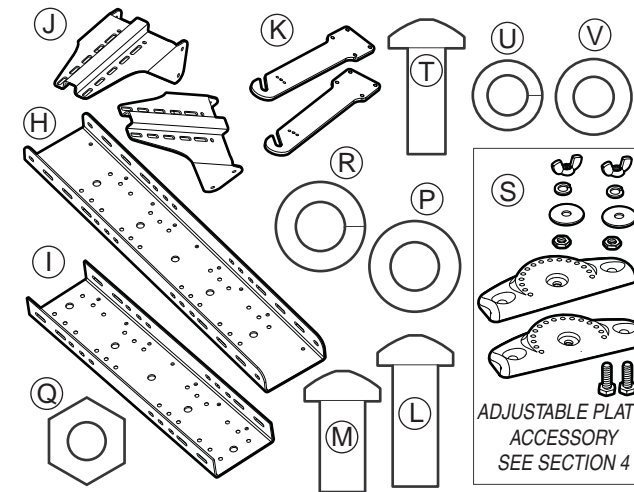
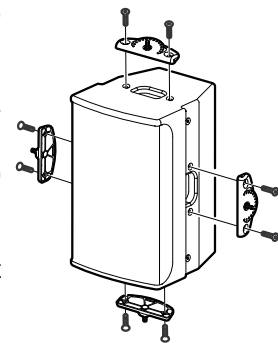
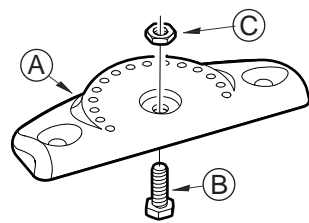


5. S1 U-BRACKET ACCESSORY - UBKT-S1

Warning: The Working Load Limit (WLL), Total Vertical Pull on the S1 U-Bracket is 1 loudspeaker but not greater than 80 lbs [36.3 kgs].

Inventory your kit to include following items:

Item	Qty	Description
H	1	Long Wall Plate
I	1	Medium Wall Plate
J	2	Large Connector Bracket
K	2	Loudspeaker Support Plate
L	8	M6 x 16 Screw
M	8	M6 x 12 Screw
P	16	M6 Flat Washer
Q	8	M6 Lock Nut
R	8	M6 Lock Washer
S	1	Adjustable Plate Accessory (ACC-APS)
T	2	M5 Screw
U	2	M5 Lock Washer
V	2	M5 Flat Washer

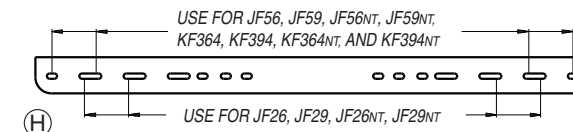


ITEMS L, M, P, Q, R, T, U, & V SHOWN FULL SIZE FOR EASY IDENTIFICATION.

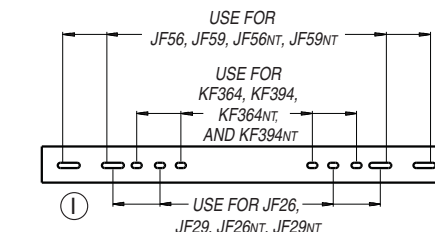
a. Assemble both adjustable plate assemblies (S) and attach them to the loudspeaker, see Section 4 and follow steps a, b, c, and d.

b. Assemble each of the 2 support plates (Item K) to a connector bracket (Item J) with four (4) M6 X 12 screws (M), M6 lock washers (R), and M6 flat washers (P) tighten to 31 kg-cm [26.6 lb-in]. See above right figure.

c. Assemble both support plate/connector bracket assemblies to the wall plate [long (H) or medium (I)] depending on preferred orientation, see figure below, with eight (8) M6 X 20 screws (L), M6 flat washers (P) and M6 lock nuts (Q) to snug but not tight. These assemblies should be free moving on the wall plate.



LONG WALL PLATE (ITEM H) TO BE USED FOR ATTACHING THE U-BRACKET TO THE TOP & BOTTOM OF THE LOUDSPEAKER



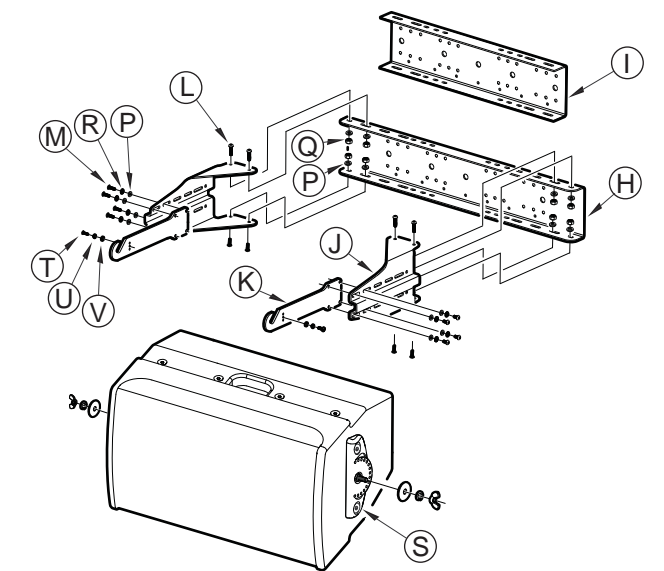
MEDIUM WALL PLATE (ITEM I) TO BE USED FOR ATTACHING THE U-BRACKET TO THE SIDES OF THE LOUDSPEAKER

d. Mount partially assembled U-bracket securely.

Warning: Installation should only be done by an experienced technician. Improper installation may result in damage to the equipment, injury or death.

e. Fit the M10 screw threads on each side of the loudspeaker onto the slots of the assembled U-bracket.

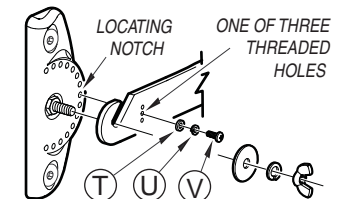
f. Hand tighten both M10 wing nuts.



g. Center loudspeaker on wall plate (H or I) and tighten the eight (8) M6 screws holding the support plate/connector bracket assemblies to the wall plate to 31 kg-cm [26.6 lb-in].

h. Loosen wing nuts so loudspeaker swings freely.

j. Hold loudspeaker at preferred angle and insert the M5 screw (T), M5 lock washer (U), and M5 flat washer (V) through the closest concentric threaded hole and locating notch. Insert the 2nd M5 screw, lock washers, and flat washer in other adjustable and support plate. Tighten both M5 screws to 23 kg-cm [20.3 lb-in].



k. Retighten both wing nuts.

6. S2 U-BRACKET ACCESSORY - UBKT-S2

Warning: The Working Load Limit (WLL), Total Vertical Pull on the S2 U-Bracket is 1 loudspeaker but not greater than 45 lbs [20.4 kgs].

Inventory your kit to include following items:

Item	Qty	Description
I	1	Medium Wall Plate
W	1	Short Wall Plate
X	2	Small Connector Bracket
K	2	Loudspeaker Support Plate
L	8	M6 x 16 Screw
N	8	M6 x 20 Flat Head Screw
P	16	M6 Flat Washer
Q	8	M6 Lock Nut
R	8	M6 Lock Washer
S	1	Adjustable Plate Accessory (ACC-APS)
T	2	M5 Screw
U	2	M5 Lock Washer
V	2	M5 Flat Washer