
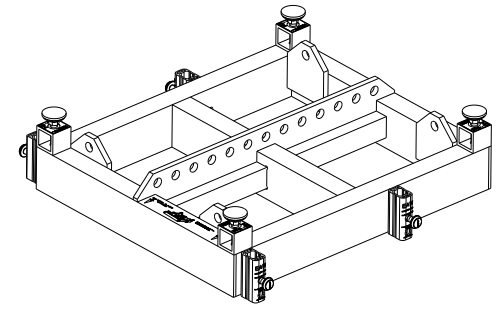
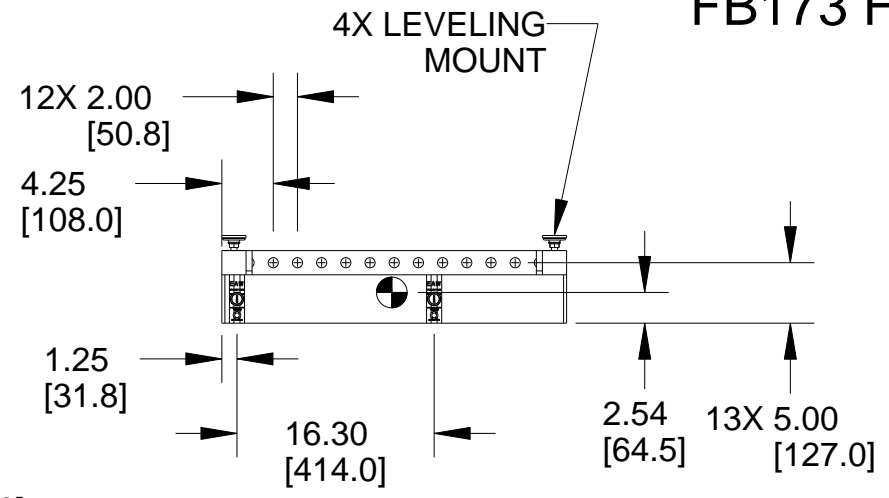
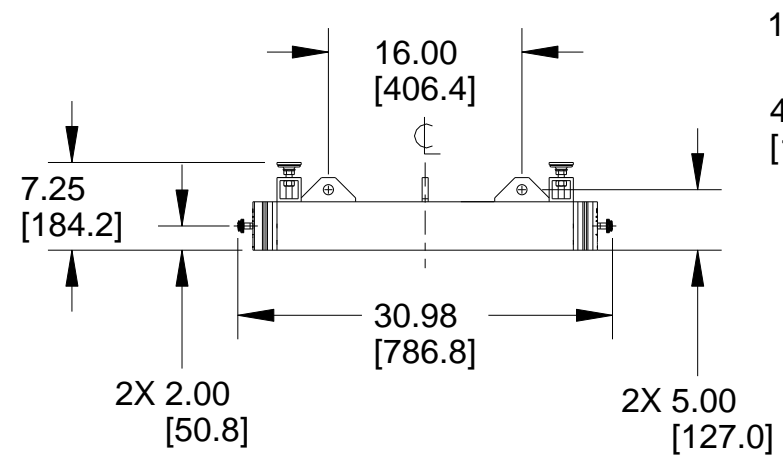
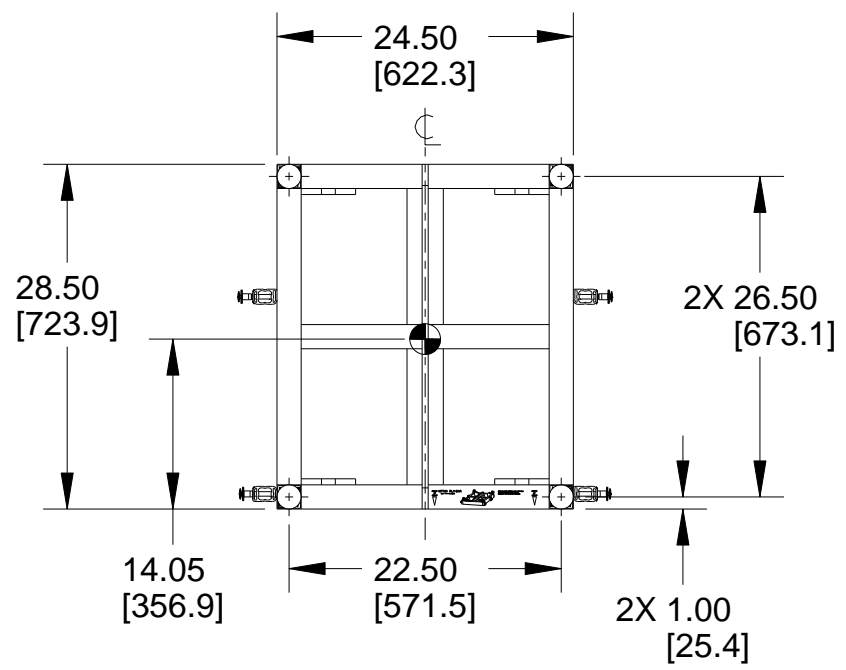


REV	CHANGE NUMBER	DATE
A	ECOWHT7210	12/16/10

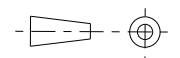
NOTES:
 1. SYMBOL  INDICATES CENTER OF BALANCE.
 2. WEIGHT APPROX. 50 lb [22.7 kg].



FB173 FLYBAR



THIRD ANGLE PROJECTION



THE INFORMATION CONTAINED
 HEREIN IS PROPRIETARY AND
 CONFIDENTIAL PROPERTY OF
 LOUD TECHNOLOGIES, INC.
 ALL RIGHTS RESERVED

UNLESS OTHERWISE SPECIFIED:
 ALL DIMENSIONS ARE IN INCHES
 DUAL [MM] DIMENSIONS
 FOR REF ONLY

TOLERANCE IN INCHES
 LINEAR ± 0.13 in / ± 3.3 mm
 ANGLES $\pm 1^\circ$

(X.XX) = REF DIMS
 NO TOLERANCE IMPLIED

TSC = THEORETICAL SHARP CORNER

DIMENSIONS ACROSS CENTERLINES
 TO BE SYMMETRICAL

EAW www.eaw.com

TITLE:
**DWG CUSTOMER FB173 FLYBAR
 [MECHANICAL SPECIFICATION]**

A	SHEET 1 OF 1	SCALE: 0.063
	DRAWING NUMBER: 0006265-CD	

REVISION:
A