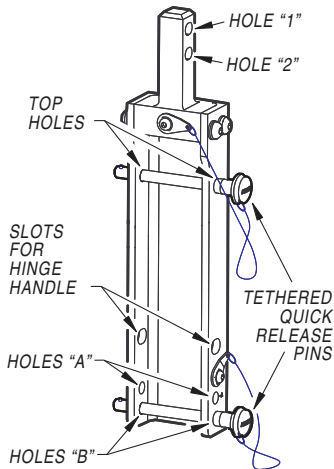


EAW INSTALLATION INSTRUCTIONS

KF 0° ADAPTER (ACC-0DEGKF)

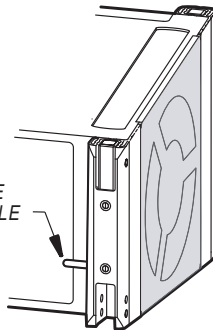
Warning: Installation should only be done by an experienced technician. Improper installation may cause damage to the equipment, serious injury or death.



1. INTRODUCTION

Each 0° KF Adapter Kit contains two adapters. One adapter is shown to the left.

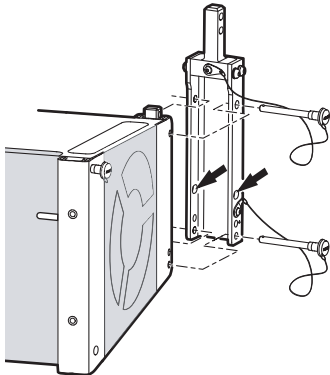
The 0° KF Adapter Kit attaches to the rear rigging of the KF730, KF737 or KF740 loudspeaker.



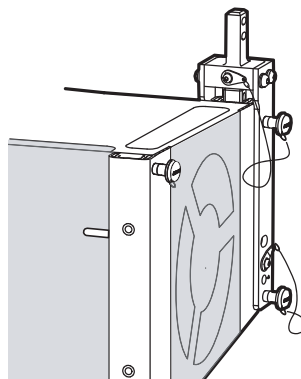
2. ATTACHING ADAPTER

There are hinge handles on both rear rigging assemblies of the KF730, KF737 or KF740 loudspeaker.

a. Remove the two quick release pins from the adapter.



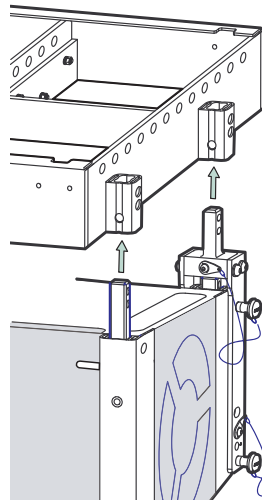
b. Lift and insert each handle into the adapter's slot (indicated by the arrows in the figure to the left).



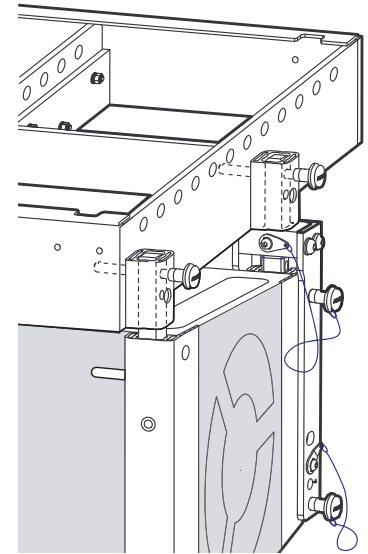
c. Align the adapter's top hole and hole "B" to the matching holes in the KF730, KF737 or KF740 rear rigging. Fully insert the two (2) quick release pins.

d. Repeat for opposite side.

3. ATTACHING KF730/KF740 WITH ADAPTERS TO FLYBAR



Align the top holes of the two rear adapter bars and top holes of the two front hinges to the top holes in the flybar and fully insert the four quick release pins.



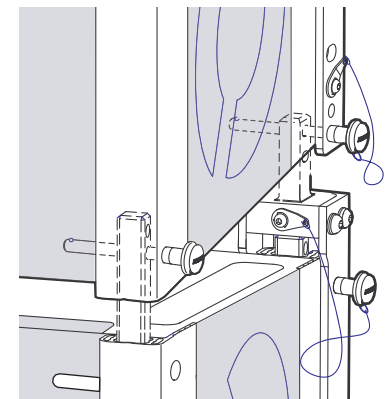
See EAW Resolution software for available KF730, KF737 and KF740 with 0° adapter angle adjustments, connections and configurations.

4. RIGGING A KF730/KF740 WITH ADAPTERS TO ANOTHER KF730/KF740 WITH ADAPTERS

a. Insert the hinges into the front rigging of the above cabinet. Align holes per Resolution and fully insert the two quick release pins.

b. Insert the adapter bars into the rear rigging of the above cabinet. Align the holes per Resolution and fully insert the quick release pins.

See EAW Resolution software for available KF730, KF737 and KF740 with 0° adapter angle adjustments, connections and configurations.



If you have questions about these Installation Instructions please contact the EAW Application Support Group



One Main Street, Whitinsville, MA 01588 tel: 800 992 5013 / 508 234 6158 fax: 508 234 8251 web: www.eaw.com e-mail: asg@eaw.com

RD0668 (A) MAR 2012 EAW is the worldwide technological and market leader in the design and manufacture of high-performance professional loudspeaker systems.