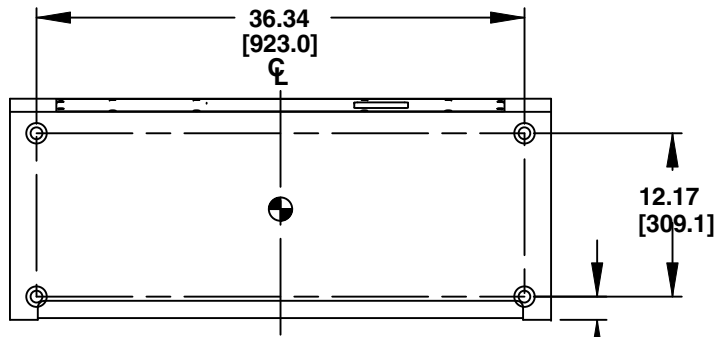
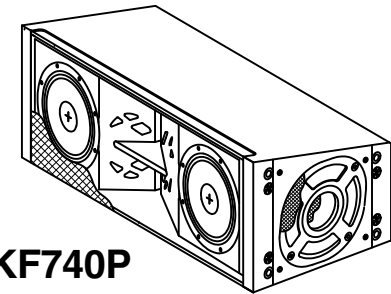


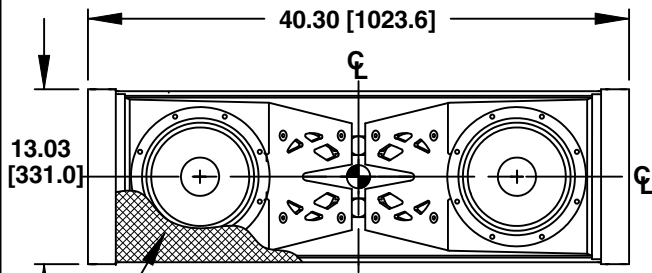
REV	CHANGE NUMBER	DATE
B	ECOWHT7452	4/13/11



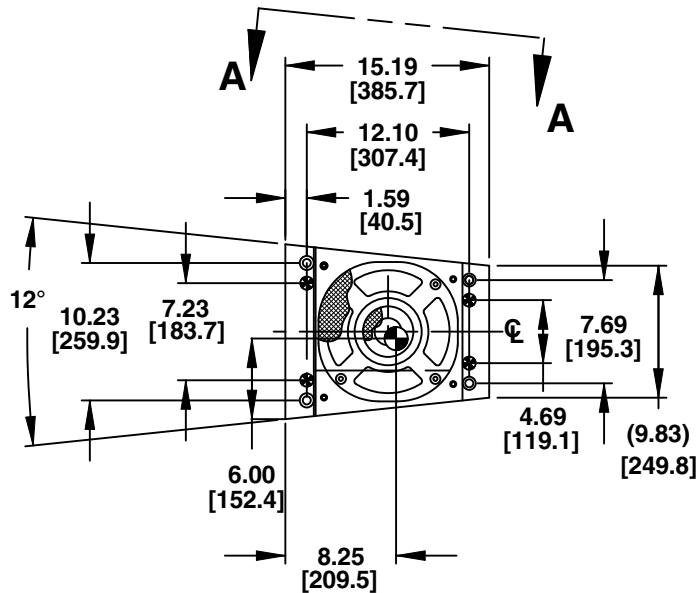
VIEW A-A
DIMENSIONS APPLY TO
TOP AND BOTTOM



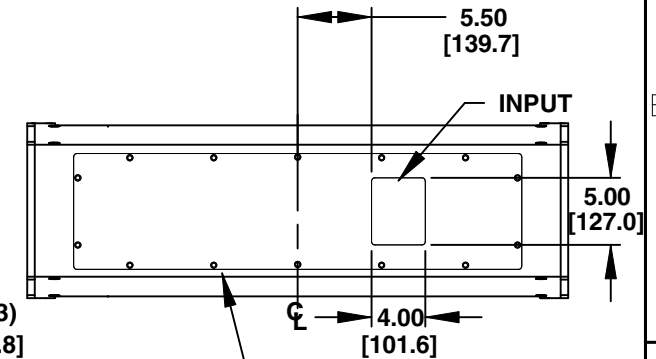
KF740P



**GRILLE PARTIALLY SHOWN
FRONT**

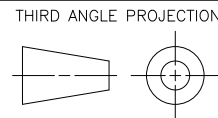


RIGHT SIDE
DIMENSIONS APPLY
TO BOTH SIDES



BACK

- NOTES:**
1. SYMBOL INDICATES MOUNTING POINT, 3/8-16 THREADED HOLE (PI ANGLE) .
 2. SYMBOL INDICATES MOUNTING POINT, 3/8-16 THREADED HOLE (STRAPPING).
 3. SYMBOL INDICATES CENTER OF BALANCE.
 4. WEIGHT APPROX. 107 lb [48.6 kg].
 5. SHIPPING WEIGHT APPROX. 117 lb [53.2 kg].



THE INFORMATION CONTAINED
HEREIN IS PROPRIETARY AND
CONFIDENTIAL PROPERTY OF
LOUD TECHNOLOGIES, INC.
ALL RIGHTS RESERVED

UNLESS OTHERWISE SPECIFIED:
ALL DIMENSIONS ARE IN INCHES
DUAL [MM] DIMENSIONS
FOR REF ONLY

TOLERANCES
LINEAR ± 0.13 in/ ± 3.3 mm
ANGLES ± 1°

(X.XX) = REF DIMS
NO TOLERANCE IMPLIED

TSC=THEORETICAL SHARP CORNER

DIMENSIONS ACROSS CENTERLINES
TO BE SYMMETRICAL

EAW www.eaw.com

TITLE:
DWG CUSTOMER KF740P
[MECHANICAL SPECIFICATION]

A SHEET 1 OF 1 SCALE: 1 TO 14

DRAWING NUMBER: 2034865-CD REVISION: B