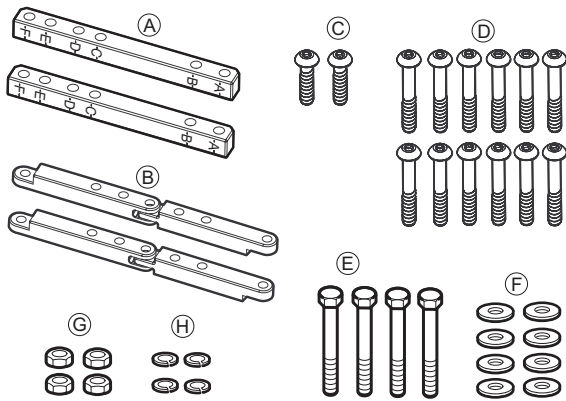




INSTRUCTIONS INSTALLATION SPLAY BRACKET KF7XXP

Warning: Suspending Loudspeakers should be done with extreme caution and by a certified professional who is qualified to determine the requirements for and to implement overhead rigging. Failure to follow proper precautions may result in damage to the equipment, injury, or death.

1. Description: These instructions detail how to physically configure a suspended KF740P or KF740P-WP array.



2. Inventory: Before beginning installation, inventory your KF7XXP splay kit (one per KF740P/KF740P-WP) and hardware included with the FB174P fly bar to the items listed.

Item	Qty	Description
A	2	Bracket Splay Rear
B	2	Bracket Splay Front
C	2	Screw Cap 3/8-16 x 3/4 lg Btn Skt Hex
D	12	Screw Cap 3/8-16 x 2-1/2 lg Btn Skt Hex
E	4	Bolt Hex 3/8-16 x 3-1/2 lg Blk
F	8	Washer Flat 3/8 SS Blk
G	4	Washer lock 3/8 SS Blk
H	4	Nut Hex 3/8-16 SS Blk

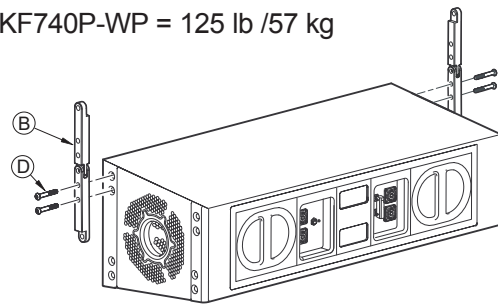
3. Working Load Limits (WLL): vertical pull

KF174P Fly-Bar WLL = 1500 lb / 680 kg

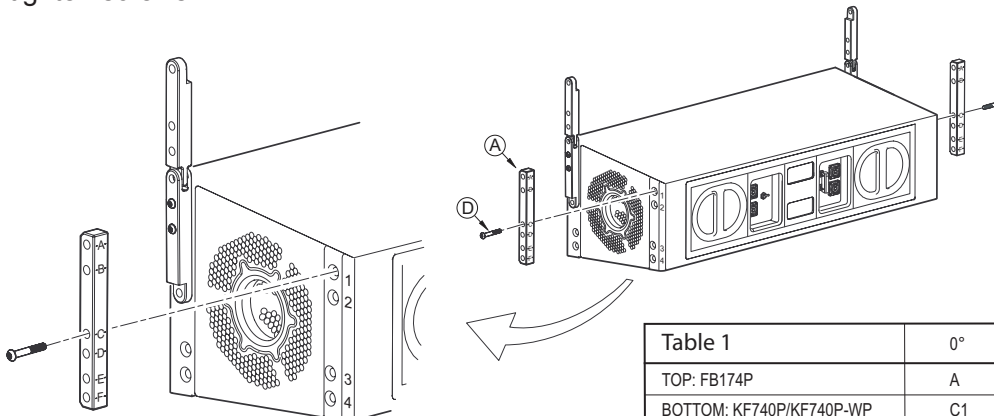
Weights: FB174P = 51 lb / 23 kg; KF740P = 105 lb / 48 kg; KF740P-WP = 125 lb / 57 kg

4. Attaching a KF740P/KF740P-WP to the FB174P:

a. Attach each Front Splay bracket (Item B) to the two (2) top, front mounting points on each side of the first loudspeaker using the two (2) 2-1/2 long screws (item D) per side as shown in the illustration. Before installing apply a drop of the user supplied Loctite 242 to the screw threads. Hand tighten screws.



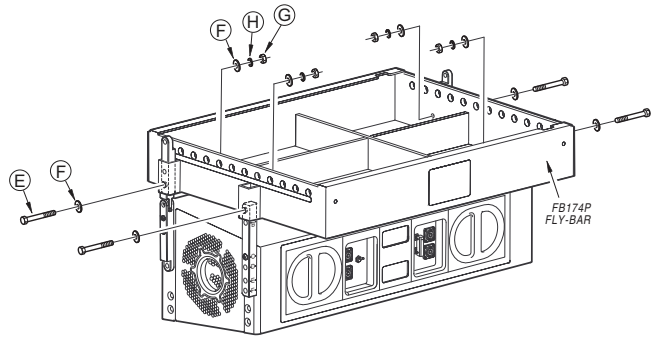
b. Loosely attach each Rear Splay Bracket (Item A) to the top, rear holes of the loudspeaker per Table 1 below, using one (1) 2-1/2" long screw (Item D) per side. Before installing apply a drop of Loctite. Do not tighten screws.



This table lists the desired splay angle, and the corresponding top and bottom loudspeaker rear attachment points. Angular settings not available are marked N/A.

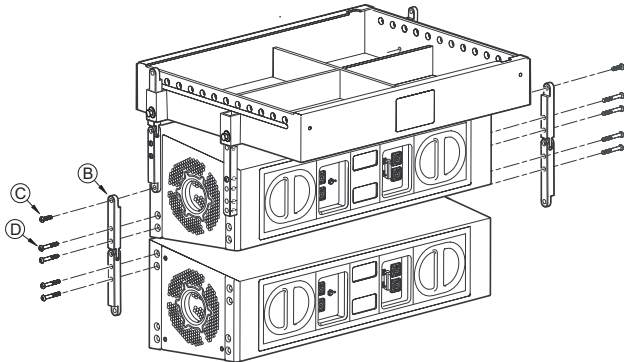
	0°	1.5°	3°	6°	9°	12°
TOP: FB174P	A	B	B	B	B	N/A
BOTTOM: KF740P/KF740P-WP	C1	F2	D1	C1	D2	N/A
TOP: KF740P/KF740P-WP	B4	A3	A4	A4	B4	A3
BOTTOM: KF740P/KF740P-WP	F1	F1	D1	C1	D1	E2

c. Place FB174P on top of the loudspeaker with the brackets extended into the fly-bar's channels as shown. Install through the holes specified in Table 1 using four (4) 3-1/2 long bolts (Item E), Lock washers (Item H), flat washers (Item F), and four (4) nuts (Item G).



5. Attaching the second and subsequent KF740P/KF740P-WP loudspeaker:

a. Attach each Front Splay bracket (Item B) to the two (2) bottom, front mounting points on each side of the already suspended loudspeaker using the two (2) 2-1/2 long screws (item D) and one (1) short screw (item C) per side as shown in the illustration. Before installing apply a drop of the user supplied Loctite 242 to the screw threads. Hand tighten screws.



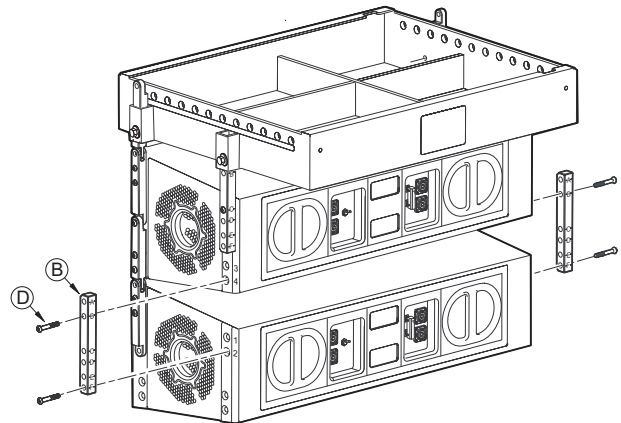
b. Position the 2nd loudspeaker on the ground directly below the array. Lower the array so its two dangling brackets can be aligned and attached to the 2nd Loudspeaker using the two (2) 2-1/2 long screws, per side. Before installing apply a drop of Loctite 242 to the screw's threads. Hand tighten screws.

6. Setting the Splay Angle between the KF74P or KF740P-WP Loudspeaker:

a. The relationship between the rear splay bracket (Item A) and the rear threaded mounting holes on the loudspeaker determine the splay angle of the lower loudspeaker.

The rear splay bracket has six (6) holes marked A, B, C, D, E, and F. The rear threaded mounting holes on each side of the loudspeaker are positioned from the top to bottom 1, 2, 3, and 4. They are labeled in the illustration to the right, but not on the actual loudspeaker.

WARNING: Using the incorrect Splay Bracket holes or the incorrect loudspeaker mounting points will compromise the structural integrity of the attachment. This can result in equipment damage, injury or death. In addition, the acoustical performance can be compromised.



Attach the rear splay bracket through the hole combinations specified in Table 1 using two (2) 2-1/2 long screws (item D) per side. Before installing add a drop of Loctite 242 to the screw's threads. Hand tighten screws.

Example: To hang a KF740P loudspeaker below another KF740P at a 0° splay angle, the B hole in the rear splay bracket is to be screwed (using Item D) to the 4th or lower hole in the top loudspeaker, and the F hole in the bracket is to be bolted to the 1st or uppermost hole in the bottom loudspeaker. Thus the chart indicates a combination of B4, F1. This is done on both sides of the loudspeaker.

When all the loudspeakers have been attached at the correct splay angles torque all bolts to 4.7 lb-ft(6.4N-m).

If you have questions about these Instructions please contact the EAW Application Support Group:

Tel 800-992-5013 (USA only) Tel 508-234-6158
 Fax 508-234-8251 E-mail asg@eaw.com

**Thank you for purchasing
 EAW products**

The Laws of Physics | The Art of Listening



One Main Street, Whitinsville, MA 01588 tel: 800 992 5013 / 508 234 6158 fax: 508 234 8251 web: www.eaw.com